

RF28HMEDBSR

SAMSUNG

Samsung 4-Door French Door with Counter Height FlexZone™ Drawer



Available Colors



Stainless Steel (shown)



Fingerprint Resistant
Black Stainless Steel



White

Signature Features

FlexZone™ Drawer

- Adjustable Smart Divider creates four flexible-size compartments.
- Four customizable temperature settings: meats at 29°F, cold drinks at 33°F, deli/snacks at 37°F, and party dishes at 42°F.
- Convenient, counter-height drawer easily accessible for kids.

Twin Cooling Plus™

- Keeps food fresher longer – Twin Cooling Plus™ humidity levels up to 3.6x higher than single cooling.
- Refrigerator air is kept at higher, near commercial-grade humidity levels to keep perishable fruits and vegetables fresher longer.
- Drier freezer air means less freezer burn for better-tasting frozen foods.

Ice Master

- Produces 10 lbs. of ice per day and stores 4.2 lbs.
- Space-saving design leaves more room in the refrigerator.



Ice Master Ice Maker



FlexZone™ Drawer

Features

- FlexZone™ Drawer with 4 Temperature Control Settings and Smart Divider
- Twin Cooling Plus®
- Ice Master Ice Maker in the Refrigerator
- Large Capacity – 28 cu. ft.
- ENERGY STAR®-Compliant
- Premium External Filtered Water and Ice Dispenser
- High-Efficiency Top and Side LED Lighting
- Adjustable Shelf for Tall Oversized Items
- Stainless Steel Accents on Interior Shelving and Door Bins

- EZ-Open Handle™ on Freezer Door and FlexZone™ Drawer
- Two Humidity-Controlled Crispers
- Tempered Glass Spill-Proof Shelves
- Gallon Door Bins
- Auto Pull-Out Upper Freezer Drawer
- Easy-to-Access Water Filter

Convenience

- CoolTight Door
- Water Filter Indicator
- Door Alarm

Rating



ENERGY STAR®-rated:
CEE Tier 1
722 kWh/yr

RF28HMEDBSR

SAMSUNG

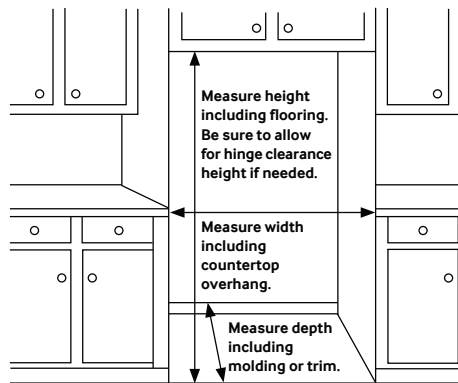
Samsung 4-Door French Door with Counter Height FlexZone™ Drawer

Installation Specifications

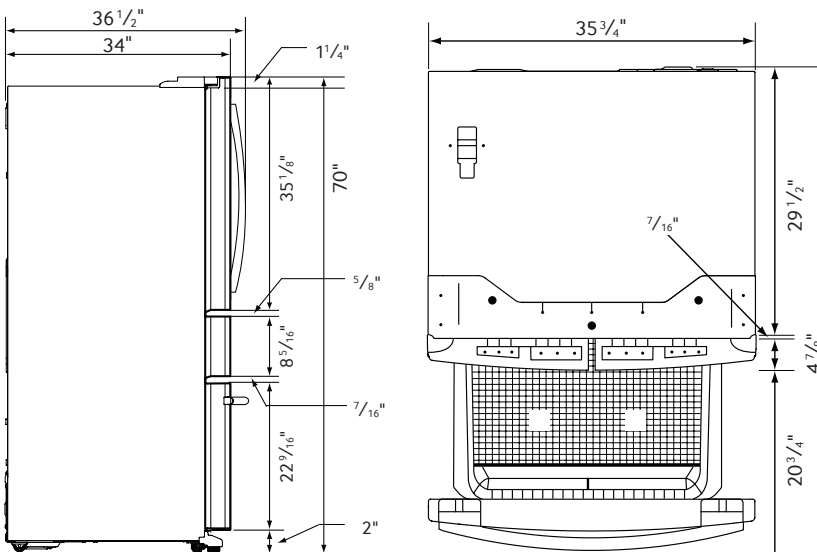
1. Measure the height, width and depth of the opening, making sure to include baseboards, molding tile, countertop overhang, etc. Check to be sure there is enough room to open the door (consider walls, islands or other obstacles when measuring).
2. Refer to illustration below to determine dimensions.
3. Allow 2.5" of clearance on hinge side of refrigerator when installing next to a wall where handle may make contact.
4. Allow 1" minimum clearance at rear for proper air circulation and water/electrical connections. Allow a 3/8" minimum clearance at sides and top for ease of installation.
5. Ensure each door and entryway in the home is wide enough for the refrigerator to be moved through easily.

For optimal usage and to be able to open refrigerator doors completely, do not install next to a wall.

Please note: The following dimension and cutout information is for planning purposes only. For complete installation details, consult manual packed with product, or download manual online at samsung.com.



Dimensions



Total Capacity: 28.15 cu. ft.

Refrigerator: 15.98 cu. ft.

- Premium External Filtered Water and Ice Dispenser
 - Crushed or Cubed Ice
- Ice Master Ice Maker
- 2 Humidity-Controlled Crispers
- 5 Tempered Glass Spill-Proof Shelves
- Adjustable Shelf for Tall Oversized Items
- 6 Clear Door Bins
 - Right Door: 3 Gallon Bins
 - Left Door: 3 Regular Bins
- High-Efficiency Top and Side LED Lighting

FlexZone™ Drawer: 3.82 cu. ft.

- EZ-Open Handle™
- 4 Temperature Zones with Smart Divider:
 - Meat/Fish (29°F)
 - Cold Drinks (33°F)
 - Deli/Snacks (37°F)
 - Wine/Party Dishes (42°F)

Freezer: 8.35 cu. ft.

- EZ-Open Handle™
- 1 Drawer Divider
- High-Efficiency LED Lighting

Warranty

One (1) Year Parts and Labor on Refrigerator
Five (5) Years Parts and Labor on Sealed Refrigeration System Only*
Ten (10) Years Parts and Five (5) Years Labor on Digital Inverter Compressor

*Compressor, evaporator, condenser, drier and connecting tubing.

Product Dimensions & Weight

Dimensions (WxHxD with hinges, handles and doors):
35³/₄" x 70" x 36¹/₂"

Dimensions (WxHxD without hinges and door):
35³/₄" x 68⁷/₈" x 29³/₈"

Dimensions (WxHxD with hinge and door, no handle):
35³/₄" x 70" x 34"

Weight: 374 lbs.

Shipping Dimensions & Weight (WxHxD)

Dimensions: 38¹/₄" x 76" x 36⁷/₈"

Weight: 403 lbs.

Color

Stainless Steel
Fingerprint Resistant
Black Stainless Steel
White

Model

RF28HMEDBSR
RF28HMEDBSG
RF28HMEDBWW

UPC Code

887276258843
887276258836
887276258843