

DW80R2031US

SAMSUNG

Samsung Dishwasher with Integrated Digital Touch Controls



Signature Features

Digital Touch Controls

- Digital touch controls make it easy to select functions with a gentle touch

Adjustable Rack

- Height adjustable upper rack makes it easy to accommodate various dishware shapes and sizes

Stainless Steel Door

- The interior door is covered with stainless steel that's more durable

Available Color



Stainless Steel



Digital Touch Controls



Stainless Steel Interior Door

Features

- Fully Integrated Top Control
- Advanced Wash System
- ENERGY STAR® rated: 255 kWh/Year
- Touch Control
- 4 Wash Cycles
- 5 Options
- 14 Place Settings
- 55 dBA Noise Level

Convenience

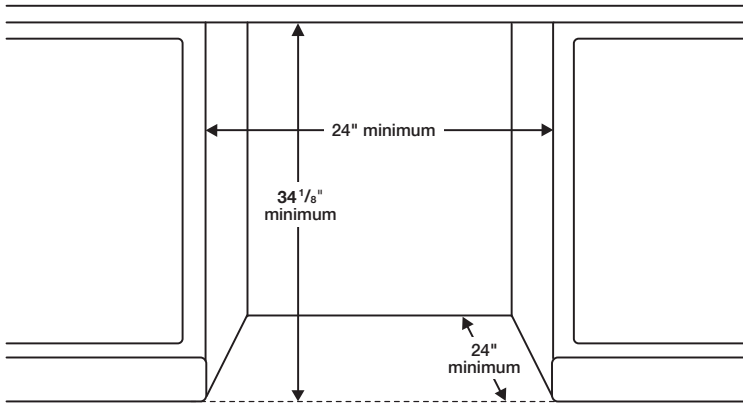
- Control Lock
- Delay Start
- Height-Adjustable Upper Rack
- Digital Water Leakage Sensor

DW80R2031US

SAMSUNG

Samsung Dishwasher with Integrated Digital Touch Controls

Installation Specifications



Features

- 4 Wash Cycles: Auto, Normal, Heavy, Express 60
- 5 Options: Hi-Temp Wash, Sanitize (Anti-Bacterial-NSF), Delay Start, Control Lock, Heated Dry

Convenience

- Control Lock
- Digital Water Leakage Sensor
- Height-Adjustable Upper Rack
- Polypropylene Racking
- Silverware Basket

Warranty

One (1) Year All Parts and Labor
Five (5) Year Limited on Printed Circuit Board

Product Dimensions & Weight (WxHxD)

Dimensions: 23 3/4" x 33 3/4" x 24 5/8"

Weight: 64 lbs

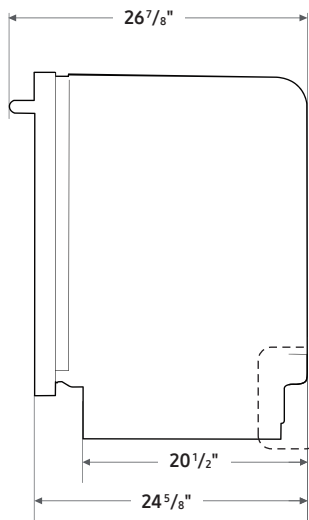
Shipping Dimensions & Weight (WxHxD)

Dimensions: 26" x 35" x 29 1/7"

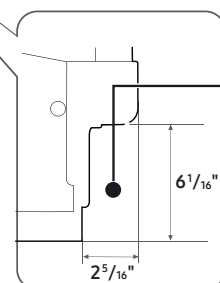
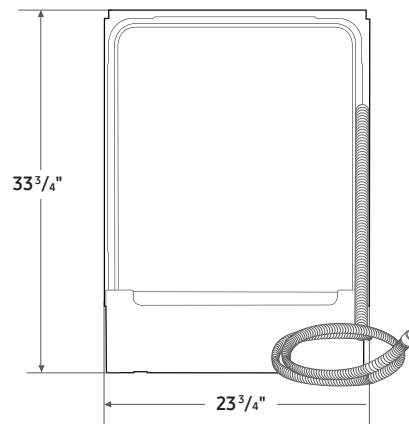
Weight: 73.9 lbs

Dimensions

Side View



Rear View



The water supply line, power cable and drain hose should go through this space behind the dishwasher. Then, the power cable runs in channels under the dishwasher to connections in the front.

Color

Stainless Steel

Model

DW80R2031US

UPC Code

887276305004