

DW80H9970US

SAMSUNG DISHWASHER

CHEF COLLECTION

Our premium Chef Collection line is designed by Master Chefs with the sophisticated cook in mind. Every appliance in the collection has been tested and approved by Michelin Star chefs to build the best kitchen possible.

FEATURES

- WaterWall™ System
- Star Display
- Zone Boost
- Quiet Operation: 40 dBA
- Express Cycle: 60 Minutes
- Half-Load Cycle: Upper or Lower Rack
- Third Rack with FlexTray™
- ENERGY STAR® rated: 258 kWh/Year
- Hidden Heating Element
- Triple Filtration System
- Electronic Touch Sensor
- 3 Spray Wash Arms (Upper, Middle, Lower)
- 6 Wash Cycles and 6 Wash Options
- Fan Condensing Drying System
- 2-Piece Silverware Basket
- 2" Adjustable Racking System
- Stainless Steel Interior

CONVENIENCE

- Child Lock
- Rinse Refill Indicator
- Cycle Progress Indicator
- Last Cycle Memory
- Four Sensors (Digital Water Leakage, Water Fill, Overflow, Turbidity)



Star Display



Zone Boost

Available Color



Stainless Steel

SIGNATURE FEATURES

WATERWALL™ SYSTEM

- Powerful wall of water cleans hard-to-reach places.
- Ensures more even, thorough washing performance than conventional rotary-spraying systems.

THIRD RACK WITH FLEXTRAY™

- Silverware lays flat for better cleaning.
- Removable, flexible tray for easy loading and unloading.

ZONE BOOST

- Offers flexibility to wash all types of dishes in one load.
- Select to wash right or left zone on the bottom rack.

STAR DISPLAY

- Glowing high-tech LED display enhances the beauty of the stainless steel finish.

HALF-LOAD CYCLE: UPPER/LOWER

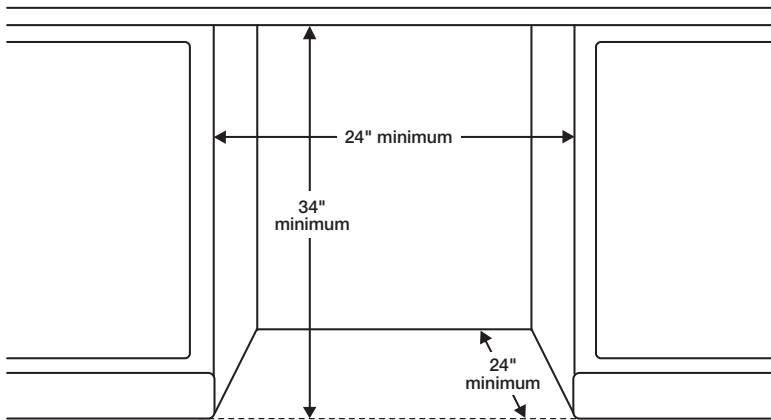
- Wash setting for half-load only, in either the upper or lower rack.
- Saves water, time and energy.

SAMSUNG

DW80H9970US

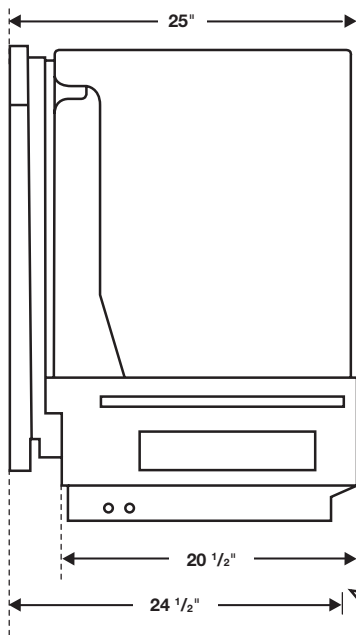
SAMSUNG DISHWASHER

INSTALLING YOUR DISHWASHER

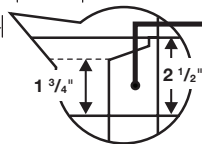
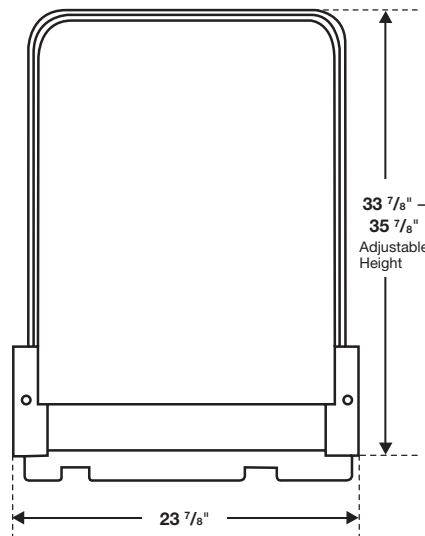


DIMENSIONS

Side View



Rear View



The water supply line, power cable and drain hose should go through this space.

Performance

- 6 Wash Cycles: Heavy, Normal, Delicate-China/Gentle, Quick Plus, Smart Auto Wash, Self Tub Clean
- 6 Options: Half-Load Wash, Targeted Wash, Sanitize (Anti-Bacterial-NSF), Dry+, Delay Start, Zone Boost
- 4 Control Buttons: Sound off, Child Lock, Start & Pause, Cancel and Drain
- 3 Filter System
- Hidden Heat Element
- Stainless Steel Interior Tub

Convenience Features

- Child Lock
- Digital Water Leakage Sensor
- Third Rack with FlexTray™
- Nylon Racking
- 2 Piece Silverware Basket
- Upper Rack: 2 Cup Shelves, 3 Adjustable Tines
- Upper Rack: 2 Fold Down Tine
- Lower Rack: 6 Fold Down Tine
- Silverware basket

Product Dimensions & Weight (WxHxD)

Dimensions:
24" x 33 7/8" x 24 2/3" (27" with handle)

Weight: 101 lbs.

Shipping Dimensions & Weight (WxHxD)

Dimensions:
26 1/16" x 34 27/32" x 29 1/8"

Weight: 108 lbs.

Color	Model #	UPC Code
Stainless Steel	DW80H9970US	887276683423