

RS27FDBTNSR

26.5 cu. ft. True Built-In Refrigerator

Features

- 47⁵/₈ inches wide
- Large Capacity – 26.5 cu. ft.
- Twin Cooling Plus™
- Water Dispenser
- Ice Maker
- Beverage Station
- 8" TFT LCD Screen
- LED Illumination
- Twin Cooling System®
- Power Freeze and Power Cool Options
- 3 Humidity-Controlled Crispers
- Tempered Glass Spill-Proof Shelves
- Water Filter

Convenience

- Cool Tight Door
- Dispenser Light
- Door Alarm
- Water Filter Indicator
- Child Lock
- Door Pockets
- Dairy Bin

Meets DOE standards:
848 kWh/yr



True Built In



8" TFT LCD Screen

Available Color



Stainless Steel

Signature Features

TRUE BUILT IN

- Custom refrigerator built in to blend with your kitchen cabinets.

8" LCD DIGITAL DISPLAY WITH APPS

- Everything you want on your refrigerator, neatly organized in the LCD display.
- Leave notes for your loved ones.
- Display photos from your Picasa library, phone, or SD card.

LARGE CAPACITY

- Beautiful and sleek designs that fit any kitchen décor. Fits up to 26.5 bags of groceries.*

**Grocery comparison based on each cubic foot of usable space equaling one paper bag.*

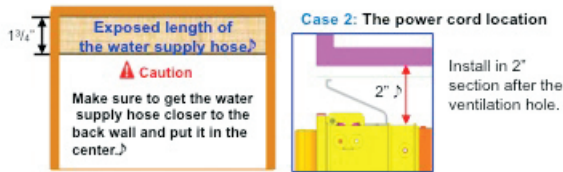
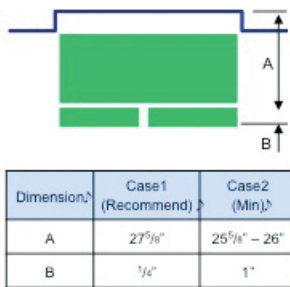
SAMSUNG

RS27FDBTNSR

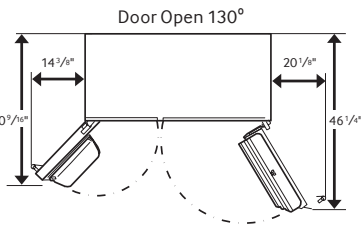
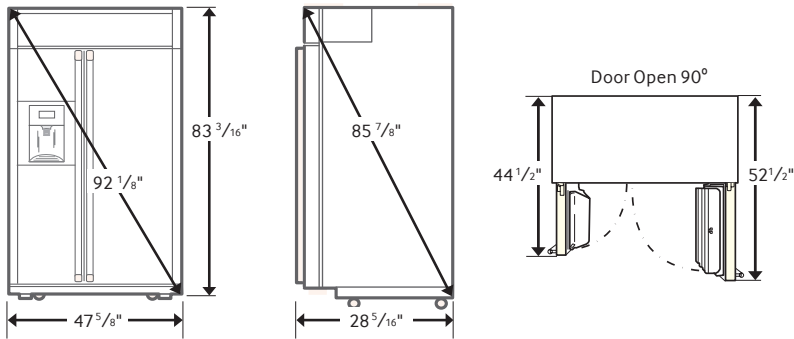
27.5 cu. ft. True Built-In Refrigerator

Installing Your Refrigerator

1. Ensure that there is enough space to install the unit and open its door. Measure the height, width and depth of the opening, making sure to include baseboards, molding tile, etc. Consider walls, islands or other obstacles. The floor also needs to be level to prevent the unit from vibrating noisily.
2. Verify that power is available.
3. Allow 1" minimum clearance at rear for proper air circulation and water/electrical connections. Provide a 3/8" minimum clearance at sides and top for easier installation.
4. Install the unit in an area with the temperature range of 41°F ~ 109°F. Avoid a place that is too hot or too cold to maintain the unit's cooling performance and appropriate power consumption.



Dimensions



Total Capacity: 26.5 cu. ft.

Refrigerator: 17.0 cu. ft.

- Water Dispenser
- 3 Humidity-Controlled Crispers
- 4 Tempered Glass Spill-Proof Shelves
- 6 Door Bins
 - 4 Bins
 - 2 Dairy Bins
- LED Illumination

Freezer: 9.5 cu. ft.

- Ice Maker
- 3 Tempered Glass Spill-Proof Shelves
- 3 Door Bins
- LED Illumination

Accessories

Water Filter: Included

Warranty

One (1) Year Parts and Labor on Refrigerator

Five (5) Years Parts and Labor on Sealed Refrigeration System Only*

Ten (10) Years Parts and Five (5) Years Labor on Digital Inverter Compressor

*Compressor, evaporator, condenser, drier, connecting tubing

Product Dimensions & Weight

Dimensions (WxHxD with hinges, handles and doors): 47⁵/₈" x 83³/₁₆" x 28⁵/₁₆"

Dimensions (WxHxD without hinges, handles): 47⁵/₈" x 83³/₁₆" x 25¹³/₁₆"

Dimensions (WxHxD without hinges, handles and door): 47⁵/₈" x 83³/₁₆" x 20⁷/₆₄"

Weight: 573.2 lbs.

Shipping Dimensions & Weight (WxHxD)

Dimensions: 51¹¹/₁₆" x 86³/₁₆" x 30¹⁹/₆₄"

Weight: 661.4 lbs.

Color	Model #	UPC Code
Stainless Steel	RS27FDBTNSR	887276848594

SAMSUNG

Actual color may vary. Design, specifications, and color availability are subject to change without notice. Non-metric weights and measurements are approximate.

©2014 Samsung Electronics America, Inc. 85 Challenger Road, Ridgefield Park, NJ 07660. Tel: 800-SAMSUNG. samsung.com. Samsung is a registered trademark of Samsung Electronics Co. Ltd.