

DV56H9100GG

Samsung Front-Load Gas Dryer

9.5 cu. ft. Capacity DOE

Features

- Steam Drying Technology:
 - Steam Refresh
 - Steam Wrinkle Away
- Vent Sensor™
- Sensor Dry – Detects Moisture and Adjusts Drying Time
- Smart Care
- Stainless Steel Drum
- 15 Preset Drying Cycles
- 11 Options
- 5 Temperature Settings
- 3-Way Venting
- Drying Rack
- Dryer Drum Light
- Reversible See-Through Door

Convenience

- Child Lock
- My Cycle Option
- Lint Filter Indicator



9.5 cu. ft. Capacity



Steam Dry

Available Colors:



Onyx



White

Signature Features

9.5 CU. FT. CAPACITY

- 3X the laundry, 1/3 of the time.*
- The world's largest dryer.
- Our biggest capacity lets you dry 4 laundry baskets in a single load.**

*Based on 3 standard loads of laundry (based on baskets) at 60 minutes each total clean time is equal to 180 minutes which is equivalent to 1 load in the 9000.

**Based on an 8-lb. load of laundry.

STEAM DRY

- Steam away wrinkles.
- Helps remove odors and freshen clothes.
- Spend less time ironing.
- Fewer trips to the dry cleaner.

VENT SENSOR™

- Duct blockage sensing.
- Detects problems and reminds you when to clean your vent to avoid lint blockages.
- Cleaning vents regularly improves dryer performance.

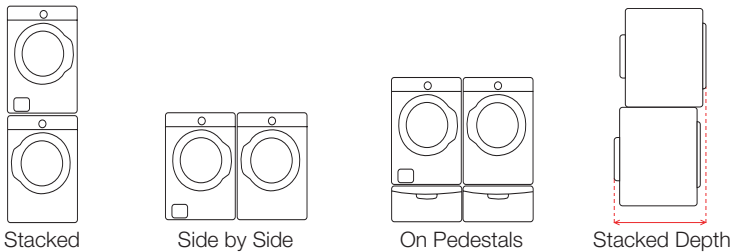


SAMSUNG

DV56H9100GG

Samsung Front-Load Gas Dryer

Installing Options



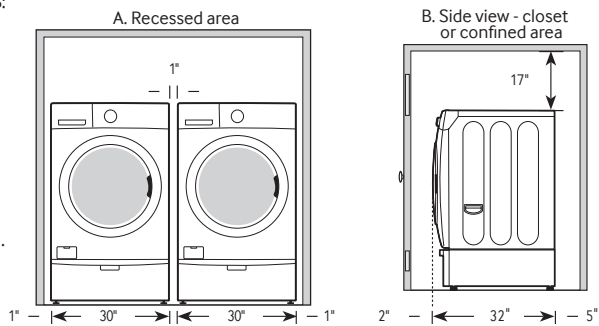
Installing Your Dryer

1. Alcove or closet installation

MINIMUM CLEARANCES FOR CLOSET AND ALCOVE INSTALLATIONS:

Sides – 1"
Rear – 5⁷/₈"
Top – 17"
Closet Front – 2"

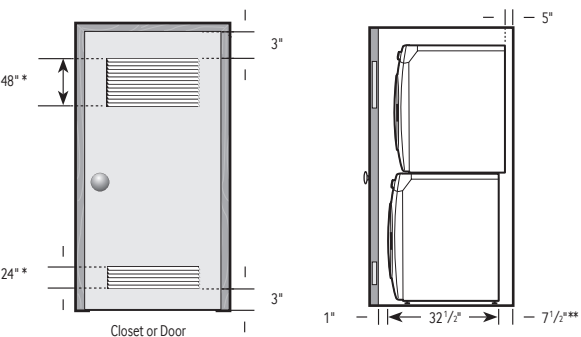
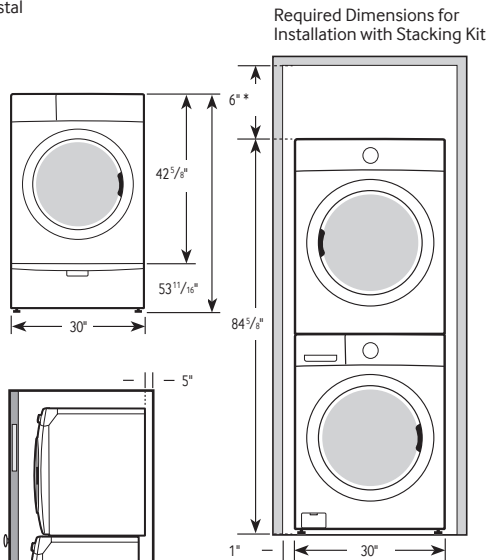
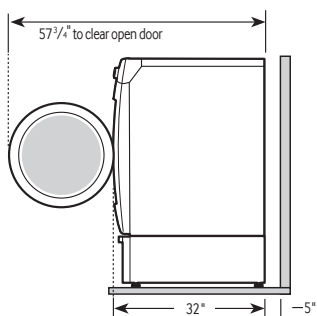
If the washer and dryer are installed together, the closet front must have at least a 72" unobstructed air opening. Your washer alone does not require a specific air opening.



Dimensions

2. With optional pedestal base or stacking kit

Required Dimensions for Installation with Pedestal



*Required spacing.
**External exhaust elbow requires additional space.

9.5 cu. ft. Capacity DOE

3-Way Venting

15 Preset Dry Cycles:

Steam Refresh, Steam Wrinkle Away, Eco Normal, Normal, Heavy Duty, Towels, Permanent Press, Active Wear, Bedding, Delicates, Wool, Sanitize, Time Dry, Air Fluff, Quick Dry

11 Options:

Mixed Load Bell, Wrinkle Prevent, Anti-Static, Small Load Care, My Cycle, Rack Dry, Adjust Time, Sound, Child Lock, Smart Care, Drum Light

5 Temperature Settings:

High, Medium, Medium Low, Low, Extra Low

5 Dry Levels:

Very Dry, More Dry, Normal Dry, Less Dry, Damp Dry

2 Signal Level Settings:

On/Off

Warranty

One (1) Year Parts and Labor
Two (2) Years Control Board
Three (3) Years Stainless Steel Drum
Ten (10) Years Direct Drive Motor

Product Dimensions & Weight (WxHxD)

Dimensions: 30" x 42⁵/₈" x 32"

Weight: 159 lbs

Shipping Dimensions & Weight (WxHxD)

Dimensions: 31⁷/₈" x 46¹/₄" x 33⁵/₈"

Weight: 170 lbs

Gas	Model #	UPC Code
Onyx	DV56H9100GG	887276857916
White	DV56H9100GW	887276857923

Electric	Model #	UPC Code
Onyx	DV56H9100EG	887276857886
White	DV56H9100EW	887276857909

Matching Washer

Onyx	WF56H9100AG	887276963105
White	WF56H9100AW	887276963112

SAMSUNG

Actual color may vary. Design, specifications, and color availability are subject to change without notice. Non-metric weights and measurements are approximate.

©2014 Samsung Electronics America, Inc. 85 Challenger Road, Ridgefield Park, NJ 07660. Tel: 800-SAMSUNG. samsung.com. Samsung is a registered trademark of Samsung Electronics Co. Ltd.