

# WA45H7000AW

Samsung Top-Load Washer

4.5 cu. ft. Capacity DOE

## Features

- Diamond Drum™ Design
- Self Clean
- 9 Preset Wash Cycles with 6 Options
- VRT® – Vibration Reduction Technology
- 800 rpm Maximum Spin Speed
- Stainless Steel Pulsator
- Direct Drive Mechanism Motor
- LED Display: Ice Blue
- Door Lid: Spray Deco Tinted Glass

## Convenience

- Child Lock
- Delay End – Up to 19 Hours
- 5 Temperature Settings
- 4 Spin Settings
- 3 Soil Settings
- Dispenser Trays: Main Wash, Softener, Bleach



ENERGY STAR® rated:

Rated CEE Tier 3

MEF = 2.5

WCF = 3.6

169 kWh/yr



Self Clean



VRT® Technology

## Available Color



White

## Signature Features

### SELF CLEAN

- New self-cleaning technology.
- Keep your top-load washer fresh without the use of harsh chemicals.
- Reminds you to run Self Clean cycle every 40 cycles.

### VRT® TECHNOLOGY

- Virtually silent.
- Vibration and noise reduction makes it perfect for upstairs laundry.
- Special sensors keep your load balanced even at high speeds.

### 4.5 CU. FT. CAPACITY

- Fit more laundry – so you can do fewer loads.
- Large capacity 27" washer lets you wash over 2 laundry baskets in a single load.\*

\* Based on an 8-lb. load of laundry.



Ranked "Highest in Customer Satisfaction with Clothes Washers" by J.D. Power and Associates.

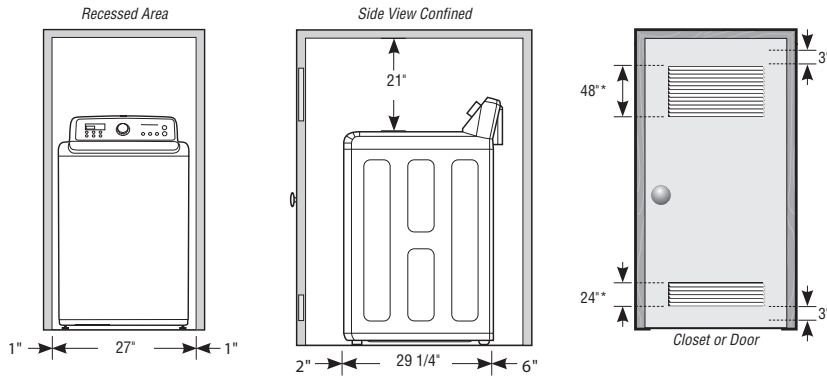
**SAMSUNG**

# WA45H7000AW

Samsung Top-Load Washer

## Installing Your Washer

### Alcove or closet installation



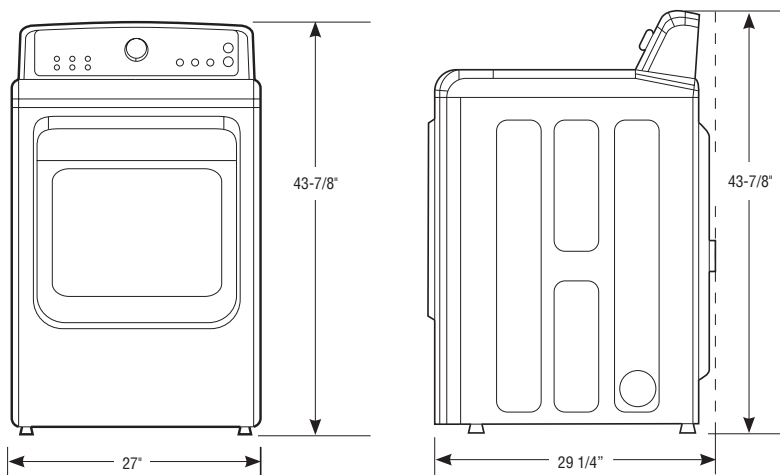
### Minimum clearances for closets and alcoves:

Sides – 1"  
Top – 21"  
Rear – 6"  
Closet front – 2"

If the washer and dryer are installed together, the closet front must have at least a 72 in (465 cm) unobstructed air opening. Your washer alone does not require a specific air opening.

\* Required spacing.  
(External exhaust elbow requires additional space)

## Dimensions



## 4.5 cu. ft. Capacity DOE

### 9 Preset Wash Cycles:

Normal, Water Proof, Heavy Duty, Permanent Press, Bedding, Delicates/Hand Wash, Quick Wash, Rinse and Spin, Spin Only

### 6 Options:

Self Clean, Delay End – Up to 19 Hours, Pre Soak, Extra Rinse, Sound On/Off, Child Lock

### 5 Temperature Settings:

Hot, Warm, Eco Warm, Cold, Tap Cold

### 4 Spin Settings:

High, Medium, Low, No Spin

### 3 Soil Settings:

Heavy, Normal, Light

### 2 Signal Level Settings:

On/Off

## Warranty

One (1) Year Parts and Labor  
Two (2) Years Control Board  
Three (3) Years Stainless Steel Drum  
Ten (10) Years Direct Drive Motor

## Product Dimensions & Weight (WxHxD)

Dimensions: 27" x 43<sup>7</sup>/<sub>8</sub>" x 29<sup>1</sup>/<sub>4</sub>"

Weight: 126 lbs

## Shipping Dimensions & Weight (WxHxD)

Dimensions: 29<sup>1</sup>/<sub>2</sub>" x 46<sup>1</sup>/<sub>2</sub>" x 31"

Weight: 137 lbs

Color	Model #	UPC Code
White	WA45H7000AW	887276857930

## Matching Dryer (Electric/Gas)

White	DV45H7000EW	887276963877
White	DV45H7000GW	887276963891

Actual color may vary. Design, specifications, and color availability are subject to change without notice. Non-metric weights and measurements are approximate.

**SAMSUNG**

Samsung received the highest numerical score for clothes washers in the proprietary J.D. Power 2009–2013 Laundry Appliance Studies. SM 2013 study based on 7,850 total responses measuring 12 clothes washer brands and measures opinions of consumers about their new washer purchased in the past 24 months. Proprietary study results are based on experiences and perceptions of consumers studied in January–February 2013. Your experiences may vary. Visit [jdpower.com](http://jdpower.com).

©2014 Samsung Electronics America, Inc. 85 Challenger Road, Ridgefield Park, NJ 07660. Tel: 800-SAMSUNG. [samsung.com](http://samsung.com). Samsung is a registered trademark of Samsung Electronics Co. Ltd.