

# DV42H5000EW

Samsung Front-Load Electric Dryer

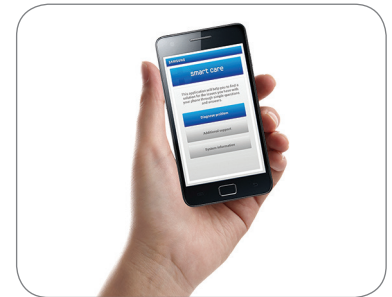
**7.5 cu. ft. Capacity DOE**

## Features

- Smart Care
- 9 Preset Drying Cycles
- 9 Options
- 4 Temperature Settings
- 4-Way Venting
- Sensor Dry – Detects Moisture and Adjusts Drying Time
- Dryer Drum Light
- Reversible See-Through Door

## Convenience

- Child Lock
- My Cycle Option
- Lint Filter Indicator



Smart Care



Sensor Dry

Available Color:



White

## Signature Features

### SMART CARE

- Troubleshoot with your smartphone.
- Perform a quick diagnosis of your washer and dryer right from your smartphone.\*

\*Available for iPhone 4/4S/5/5S and Galaxy S1/S2/S3/S4 NOTE/NOTE2.

### SENSOR DRY

- Automatically adjusts drying time by sensing moisture so your clothes don't over or under dry.

### 9 DRYING CYCLES

- Multiple cycles for better drying include:

Normal	Heavy Duty	Permanent Press
Bedding	Delicates	Time Dry
Air Fluff	Quick Dry	Wrinkle Release

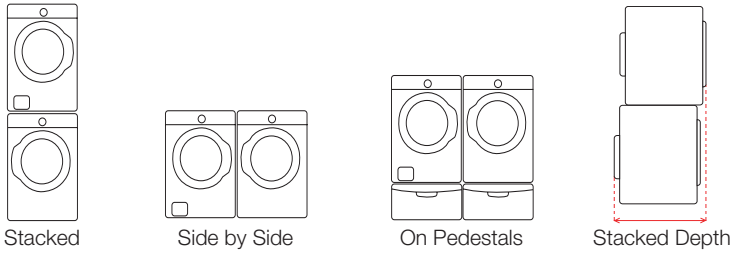


**SAMSUNG**

# DV42H5000EW

Samsung Front-Load Electric Dryer

## Installing Options



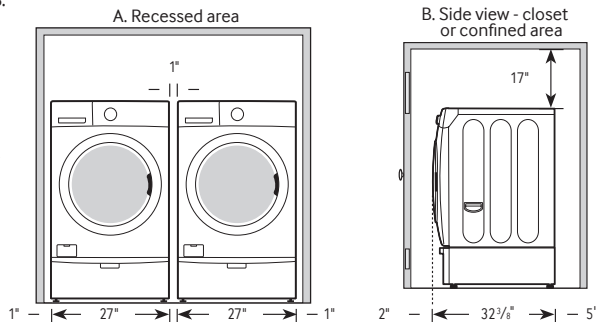
## Installing Your Dryer

### 1. Alcove or closet installation

MINIMUM CLEARANCES FOR CLOSET AND ALCOVE INSTALLATIONS:

Sides – 1" / 25 mm  
Rear – 5<sup>29</sup>/<sub>32</sub>" / 150 mm  
Top – 17" / 432 mm  
Closet Front – 2" / 51 mm

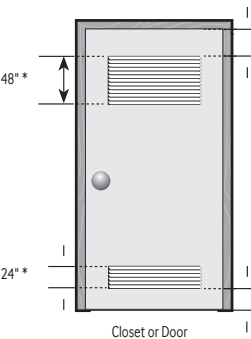
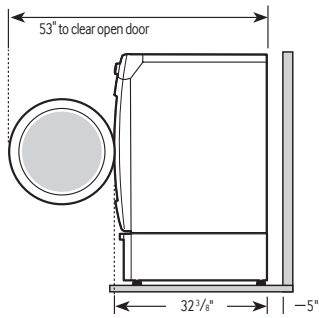
If the washer and dryer are installed together, the closet front must have at least a 72" (465 cm) unobstructed air opening. Your washer alone does not require a specific air opening.



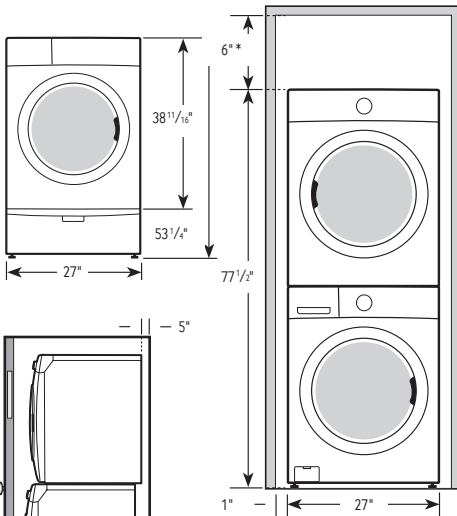
## Dimensions

### 2. With optional pedestal base or stacking kit

Required Dimensions for Installation with Pedestal



Required Dimensions for Installation with Stacking Kit



\*Required spacing.  
\*\*External exhaust elbow requires additional space.

## 7.5 cu. ft. Capacity DOE

### 4-Way Venting

### 9 Preset Dry Cycles:

Normal, Heavy Duty, Permanent Press, Bedding, Delicates, Time Dry, Air Fluff, Quick Dry, Wrinkle Release

### 9 Options:

Mixed Load Bell, Wrinkle Prevent, Small Load Care, My Cycle, Adjust Time, Sound, Child Lock, Smart Care, Drum Light

### 4 Temperature Settings:

High, Medium, Low, Extra Low

### 4 Dry Levels:

Very Dry, More Dry, Normal Dry, Damp Dry

### 2 Signal Level Settings:

On/Off

### Warranty

One (1) Year Parts and Labor  
One (1) Year Control Board  
Three (3) Years Stainless Steel Drum  
Ten (10) Years Direct Drive Motor

### Product Dimensions & Weight (WxHxD)

Dimensions: 27" x 38<sup>11</sup>/<sub>16</sub>" x 32<sup>3</sup>/<sub>8</sub>"

Weight: 126 lbs

### Shipping Dimensions & Weight (WxHxD)

Dimensions: 29<sup>1</sup>/<sub>4</sub>" x 42<sup>1</sup>/<sub>4</sub>" x 33<sup>1</sup>/<sub>2</sub>"

Weight: 134 lbs

Electric

White

Model #

DV42H5000EW

UPC Code

887276963167

Gas

White

Model #

DV42H5000GW

UPC Code

887276963174

### Matching Washer

White

WF42H5000AW

887276962887

**SAMSUNG**

Actual color may vary. Design, specifications, and color availability are subject to change without notice. Non-metric weights and measurements are approximate.

©2016 Samsung Electronics America, Inc. 85 Challenger Road, Ridgefield Park, NJ 07660. Tel: 800-SAMSUNG. samsung.com. Samsung is a registered trademark of Samsung Electronics Co. Ltd.