

# DV42H5200GP

Samsung Front-Load Gas Dryer

7.5 cu. ft. Capacity DOE

## Features

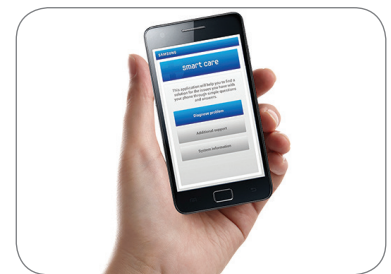
- Steam Drying Technology:
  - Steam Refresh
  - Steam Wrinkle Away
- Smart Care
- 11 Preset Drying Cycles
- 10 Options
- 4 Temperature Settings
- 3-Way Venting
- Sensor Dry – Detects Moisture and Adjusts Drying Time
- Dryer Drum Light
- Reversible See-Through Door

## Convenience

- Child Lock
- My Cycle Option
- Lint Filter Indicator



Steam Dry



Smart Care

## Available Colors:



Platinum  
(shown)



White

## Signature Features

### STEAM DRY

- Steam away wrinkles.
- Helps remove odors and freshen clothes.
- Spend less time ironing.
- Fewer trips to the dry cleaner.

### SMART CARE

- Troubleshoot with your smartphone.
- Perform a quick diagnosis of your washer and dryer right from your smartphone.\*

\*Available for iPhone 4/4S/5/5S and Galaxy S1/S2/S3/S4 NOTE/NOTE2.

### SENSOR DRY

- Automatically adjusts drying time by sensing moisture so your clothes don't over or under dry.

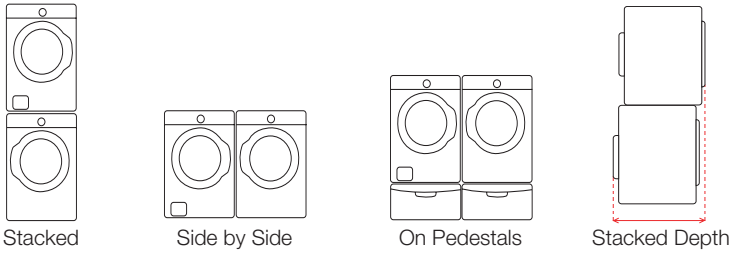


**SAMSUNG**

# DV42H5200GP

Samsung Front-Load Gas Dryer

## Installing Options



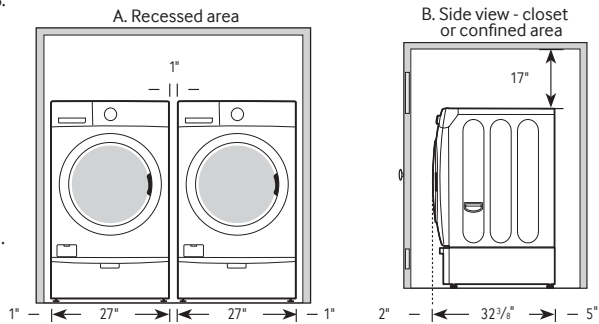
## Installing Your Dryer

### 1. Alcove or closet installation

MINIMUM CLEARANCES FOR CLOSET AND ALCOVE INSTALLATIONS:

Sides – 1"  
Rear – 5 7/8"  
Top – 17"  
Closet Front – 2"

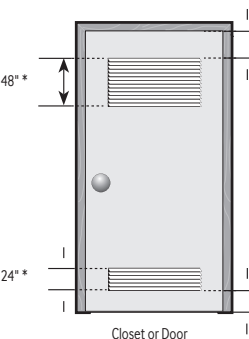
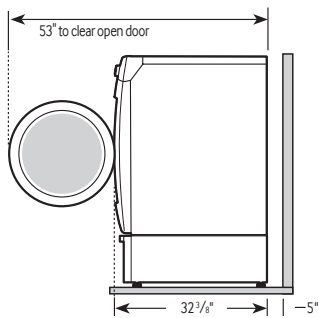
If the washer and dryer are installed together, the closet front must have at least a 72" unobstructed air opening. Your washer alone does not require a specific air opening.



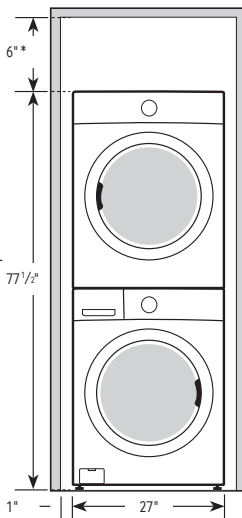
## Dimensions

### 2. With optional pedestal base or stacking kit

Required Dimensions for Installation with Pedestal



Required Dimensions for Installation with Stacking Kit



\*Required spacing.  
\*\*External exhaust elbow requires additional space.

## 7.5 cu. ft. Capacity DOE

### 3-Way Venting

### 11 Preset Dry Cycles:

Steam Refresh, Steam Wrinkle Away, Normal, Heavy Duty, Permanent Press, Bedding, Delicates, Sanitize, Time Dry, Air Fluff, Quick Dry

### 10 Options:

Mixed Load Bell, Wrinkle Prevent, Anti Static, Small Load Care, My Cycle, Adjust Time, Sound, Child Lock, Smart Care, Drum Light

### 4 Temperature Settings:

High, Medium, Low, Extra Low

### 4 Dry Levels:

Very Dry, More Dry, Normal Dry, Damp Dry

### 2 Signal Level Settings:

On/Off

### Warranty

One (1) Year Parts and Labor  
One (1) Year Control Board  
Three (3) Years Stainless Steel Drum  
Ten (10) Years Direct Drive Motor

### Product Dimensions & Weight (WxHxD)

Dimensions: 27" x 38 11/16" x 32 3/8"

Weight: 126 lbs

### Shipping Dimensions & Weight (WxHxD)

Dimensions: 29 1/4" x 42 1/4" x 33 1/2"

Weight: 134 lbs

Gas	Model #	UPC Code
Platinum	DV42H5200GP	887276963235
White	DV42H5200GW	887276963242

Electric	Model #	UPC Code
Platinum	DV42H5200EP	887276963204
White	DV42H5200EW	887276963211

### Matching Washer

Platinum	WF42H5200AP	887276963082
White	WF42H5200AW	887276962993

**SAMSUNG**

Actual color may vary. Design, specifications, and color availability are subject to change without notice. Non-metric weights and measurements are approximate.

©2016 Samsung Electronics America, Inc. 85 Challenger Road, Ridgefield Park, NJ 07660. Tel: 800-SAMSUNG. samsung.com. Samsung is a registered trademark of Samsung Electronics Co. Ltd.