

DV56H9000GP

Samsung Top-Load Gas Dryer

9.5 cu. ft. Capacity DOE

Features

- Largest Capacity
- Steam Drying Technology:
 - Steam Refresh
 - Steam Wrinkle Away
- Vent Sensor™
- Smart Care
- Stainless Steel Drum
- Interior Drum Light
- 15 Preset Drying Cycles
- 11 Options
- 5 Temperature Settings
- 3-Way Venting
- Sensor Dry – Detects Moisture and Adjusts Drying Time
- Drying Rack
- Reversible See-Through Door

Convenience

- Child Lock
- Filter Check Indicator



9.5 cu. ft. Capacity



Steam Dry

Available Colors



Platinum



White

Signature Features

9.5 CU. FT. CAPACITY

- 3X the laundry, 1/3 of the time.*
- The world's largest dryer.
- Our biggest capacity lets you dry 4 laundry baskets in a single load.**

*Based on 3 standard loads of laundry (based on baskets) at 60 minutes each, total clean time is equal to 180 minutes which is equivalent to 1 load in the 9000.

**Based on USDOE/EPA listing.

STEAM DRY

- Steam away wrinkles.
- Helps remove odors and freshen clothes.
- Spend less time ironing.
- Fewer trips to the dry cleaner.

VENT SENSOR™

- Duct blockage sensing.
- Detects problems and reminds you when to clean your vent to avoid lint blockages.
- Cleaning vents regularly improves dryer performance.

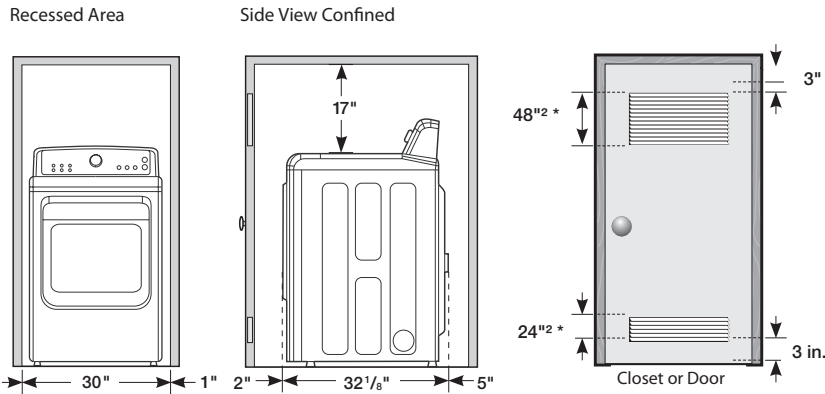


SAMSUNG

DV56H9000GP

Samsung Top-Load Gas Dryer

Installing Your Dryer



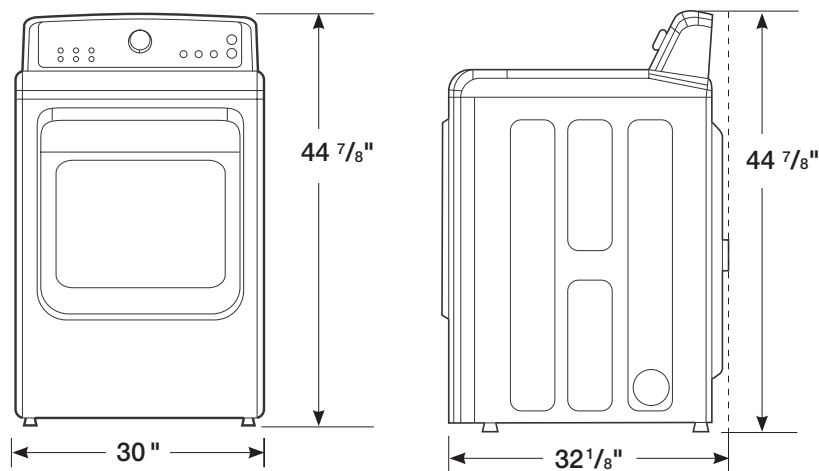
Minimum clearances for closets and alcove:

Sides - 1"
Top - 17"
Rear - 5"
Closet Front - 2"

If the washer and dryer are installed together, the closet front must have at least a 72 in² (465cm²) unobstructed air opening. Your washer alone does not require a specific air opening.

* Required spacing
** External exhaust elbow requires additional space.

Dimensions



9.5 cu. ft. Capacity DOE

3-Way Venting

15 Preset Dry Cycles:

Steam Refresh, Steam Wrinkle Away, Normal, Eco Normal, Heavy Duty, Towels, Permanent Press, Bedding, Delicates, Wool, Active Wear, Sanitize, Time Dry, Air Fluff, Quick Dry

11 Options:

Mixed Load Bell, Wrinkle Prevent, Rack Dry, Adjust Time, My Cycle, Child Lock, Sound On/Off, Anti-Static, Small Load Care, Smart Care, Drum Light

5 Temperature Settings:

High, Medium, Medium Low, Low, Extra Low

5 Dry Levels:

Very Dry, More Dry, Normal Dry, Less Dry, Damp Dry

2 Signal Level Settings:

On/Off

Warranty

One (1) Year All Parts and Labor

Two (2) Years Control Board

Product Dimensions & Weight (WxHxD)

Dimensions: 30" x 44 7/8" x 32 1/8"

Weight: 148 lbs

Shipping Dimensions & Weight (WxHxD)

Dimensions: 31 7/8" x 47 3/16" x 33 1/2"

Weight: 156 lbs

Gas	Model #	UPC Code
Platinum	DV56H9000GP	887276963488
White	DV56H9000GW	887276963495
Electric	Model #	UPC Code
Platinum	DV56H9000EP	887276963457
White	DV56H9000EW	887276963471

Matching Washer

Platinum	WA56H9000AP	887276963501
White	WA56H9000AW	887276963518

SAMSUNG

Actual color may vary. Design, specifications, and color availability are subject to change without notice. Non-metric weights and measurements are approximate.

©2014 Samsung Electronics America, Inc. 85 Challenger Road, Ridgefield Park, NJ 07660. Tel: 800-SAMSUNG. samsung.com. Samsung is a registered trademark of Samsung Electronics Co. Ltd.