

DV45H7000EW

Samsung Top-Load Electric Dryer

7.4 cu. ft. Capacity DOE

Features

- 9 Preset Drying Cycles
- 5 Options
- 3 Temperature Settings
- 4-Way Venting
- Sensor Dry – Detects Moisture and Adjusts Drying Time

Convenience

- Child Lock
- Filter Check Indicator



Sensor Dry



9 Drying Cycles

Available Color



White

Signature Features

SENSOR DRY

- Automatically adjusts drying time by sensing moisture so your clothes don't over or under dry.

9 DRYING CYCLES

- Multiple cycles for better drying include:

Normal	Heavy Duty	Permanent Press
Bedding	Delicates	Sanitize
Time Dry	Quick Dry	Wrinkle Release

7.4 CU. FT. CAPACITY

- With 7.4 cu. ft. capacity, you can dry more laundry in less time.



SAMSUNG

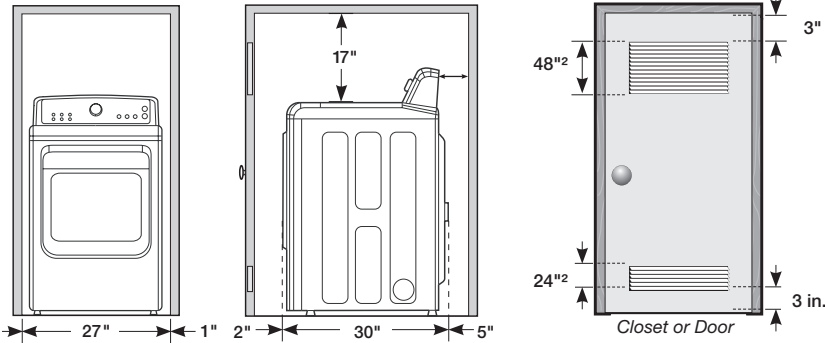
DV45H7000EW

Samsung Top-Load Electric Dryer

Installing Your Dryer

Recessed Area

Side View Confined

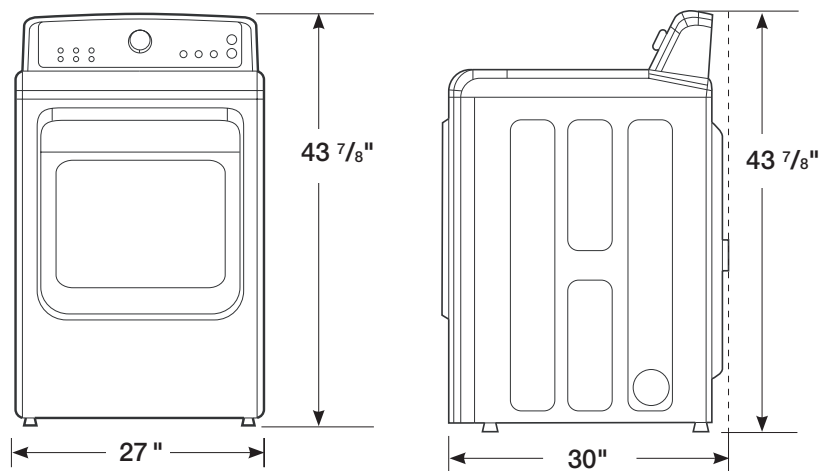


Minimum clearances for closets and alcove:

Sides - 1"
Top - 17"
Rear - 5"
Closet Front - 2"

If the washer and dryer are installed together, the closet front must have at least a 72 in² (465cm²) unobstructed air opening. Your washer alone does not require a specific air opening.

Dimensions



7.4 cu. ft. Capacity DOE

4-Way Venting

9 Preset Dry Cycles:

Normal, Heavy Duty, Permanent Press, Bedding, Delicates, Sanitize, Time Dry, Quick Dry, Wrinkle Release

5 Options:

Mixed Load Bell, Wrinkle Prevent, Adjust Time, Child Lock, Sound On/Off

3 Temperature Settings:

High, Medium, Low

4 Dry Levels:

Very Dry, More Dry, Normal Dry, Damp Dry

2 Signal Level Settings:

On/Off

Warranty

One (1) Year All Parts and Labor

Two (2) Years Control Board

Product Dimensions & Weight (WxHxD)

Dimensions: 27" x 43 7/8" x 30"

Weight: 121 lbs

Shipping Dimensions & Weight (WxHxD)

Dimensions: 29 1/2" x 46 1/2" x 31 1/8"

Weight: 130 lbs

Electric

White

Model

DV45H7000EW

UPC Code

887276963877

Gas

White

Model

DV45H7000GW

UPC Code

887276963891

Matching Washer

White

WA45M7050AW

887276196398

SAMSUNG

Actual color may vary. Design, specifications, and color availability are subject to change without notice. Non-metric weights and measurements are approximate.

©2017 Samsung Electronics America, Inc. 85 Challenger Road, Ridgefield Park, NJ 07660. Tel: 800-SAMSUNG. samsung.com. Samsung is a registered trademark of Samsung Electronics Co. Ltd.