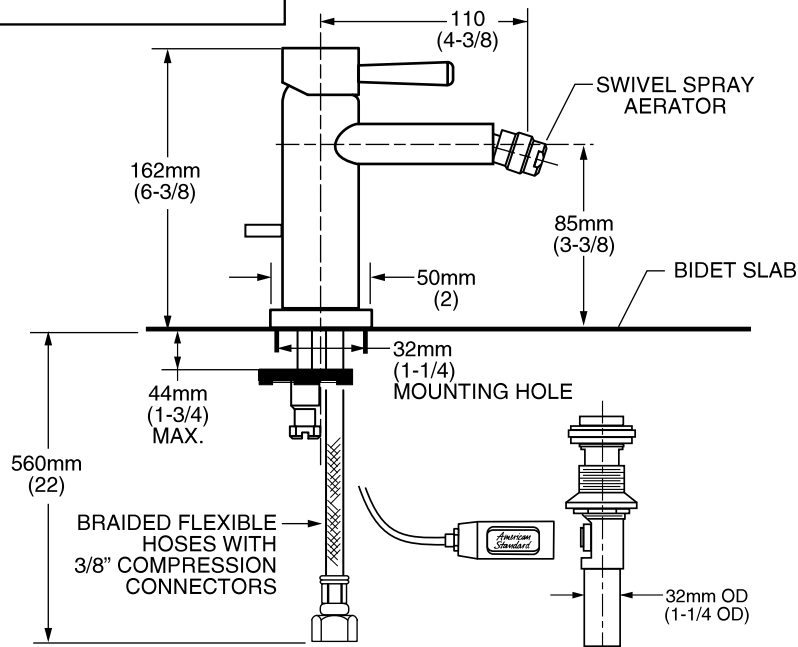


MODEL NUMBER:

- **2064.011 Bidet Fitting**
Metal Speed Connect™ Pop-up drain.
Swivel spray aerator.



GENERAL DESCRIPTION:

Brass body with metal lever handle. Washerless 35mm ceramic disc valve cartridge. Equipped with integral hot limit safety stop. Braided flexible hoses with 3/8" compression connectors. 20" (500mm) long flexible stainless steel drain cable is pre-assembled to faucet body. Metal Speed Connect™ drain body with 1-1/4" (32mm) tail piece.

PRODUCT FEATURES:

Brass Construction: Durable - Excellent in high use applications. Ideal for prolonged contact with water. Provides the finest surface for application of all colors and finishes.

Ceramic Disc Valve Cartridge: Assures a lifetime of drip-free performance.

Adjustable Hot Limit Safety Stop: Limits the amount of hot water allowed to mix with cold. Reduces the risk of accidental scalding.

Exclusive Speed Connect Metal Drain:

- Fewer Parts - installs in less time.
- No adjustments required - seals the first time, every time.
- Flexible stainless steel cable - installs effortlessly in tight spaces.

Choice of Finishes: Available in Polished Chrome and Satin Nickel finishes.

SUGGESTED SPECIFICATION:

Single control bidet fitting shall feature a brass body with metal handle. Shall also feature washerless ceramic disc valve cartridge with integral hot limit safety stop and braided flexible hoses with 3/8" compression connectors. Shall also feature a metal drain body with stainless steel cable actuation. Fitting shall be American Standard Model # 2064.011.____.