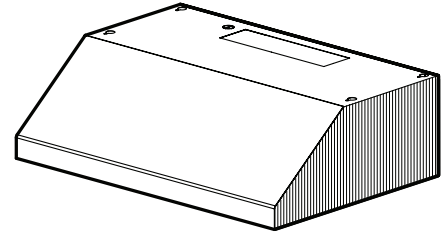


## APE1 SERIES ENERGY STAR® PRO-STYLE RANGE HOOD



Designed to meet the performance needs of today's higher BTU conventional cooking appliances and consumers' desire for ENERGY STAR® qualification.

### FEATURES

- Professional styling in Stainless Steel only
- Available in 30" width only
- Infinite speed rotary control with solid state blower memory and separate on/off switch
- Two-position light switch for "bright" or "night-light" illumination
- Single 42W GX24Q4 Fluorescent lamp with 4W C-7 night light (included)
- High efficiency dual centrifugal blower with resilient anti-vibration motor mounts
- Broan Heat Sentry™ - automatically turns blower to high speed when excess cooking heat is detected
- Two washable, micromesh aluminum grease filters with antimicrobial protection that inhibits the formation of odor-producing bacteria and protects filter from discoloration
- Hemmed bottom for safety and good looks
- Damper/duct connector included
- Non-Ducted Recirculation Kit - NDK358 Series
  - ENERGY STAR® qualification is void if hood is used in a non-ducted application
- Replacement filters (package of 2):
  - Grease with antimicrobial protection - 97017456 (BPAPFA)
  - Grease without antimicrobial protection - 97017455 (BPRPFA)
  - Non-Ducted - 97007662 (88F)
- For indoor use only

### TYPICAL SPECIFICATION

Range hood shall be Broan APE1 Series.

Unit shall have a backdraft damper and be ducted vertically (horizontally) to the outside.

Unit shall have washable micromesh aluminum filters with special antimicrobial protection.

Unit shall have a permanently lubricated, dual centrifugal blower resiliently mounted and controlled with an infinite speed, solid state control. RPM not to exceed 1618.

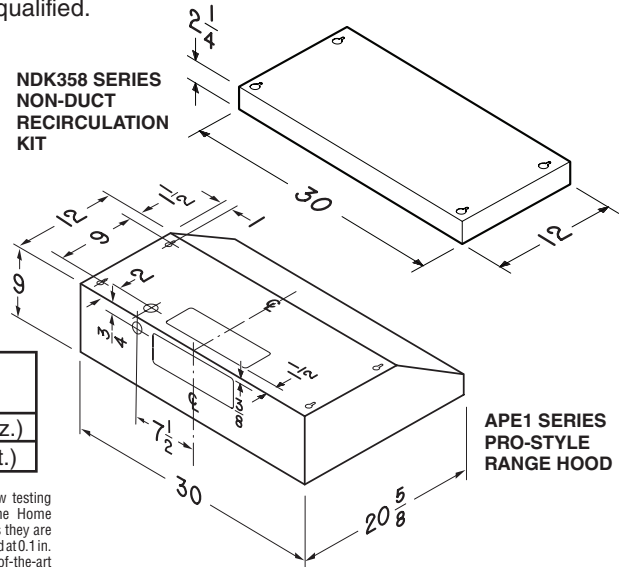
Hood shall have an infinite speed rotary control with memory and a separate, two-position light switch. Sides shall be straight and bottom hemmed - with no sharp edges. Stainless steel shall be 24-gauge, 430 series.

Air delivery shall be no less than 440 cfm and sound levels no greater than 7.0 Sones. All air and sound ratings shall be certified by HVI.

Unit shall be U.L. and cU.L. listed and ENERGY STAR® qualified.

### SPECIFICATIONS

VOLTS	AMPS	HZ	CFM		SONES		DUCT
			MAX.	NORM.	MAX.	NORM.	
120	1.8	60	440	200	7.0	0.7	3¼" x 10" (Horiz.)
			440	200	7.0	0.9	3¼" x 10" (Vert.)



HVI-2100 CERTIFIED RATINGS comply with new testing technologies and procedures prescribed by the Home Ventilating Institute, for off-the-shelf products, as they are available to consumers. Product performance is rated at 0.1 in. static pressure, based on tests conducted in a state-of-the-art test laboratory. Sones are a measure of humanly-perceived loudness, based on laboratory measurements.

Broan-NuTone LLC Hartford, Wisconsin www.broan.com 800-558-1711

REFERENCE	QTY.	REMARKS	Project
			Location
			Architect
			Engineer
			Contractor
			Submitted by Date