

Maestro Wireless Local Controls

Maestro Wireless controls function much like standard dimmers and switches, but can be controlled from Pico™ wireless controls and Lutron® ceiling mount occupancy/vacancy sensors. Local lighting controls are useful in locations where single circuits of lighting need to be dimmed or switched.

Maestro Wireless dimmers incorporate advanced features such as fade on/fade off, long fade off, and rapid full on.

Maestro Wireless local controls include a Front Accessible Service Switch (FASS™) for safe lamp replacement. Maestro Wireless controls install in single-pole or multi-location applications.

Model Numbers

Dimmers

Halogen/Incandescent/Magnetic Low-voltage

MRF2-600M-XX	600 W Incandescent Dimmer 120 V~
MRF2-6MLV-XX	600 W/600 VA Incandescent/ MLV Dimmer 120 V~
MRF2-6ND-120-XX	600 W/600 VA Spec Grade Neutral wire Dimmer 120 V~
MRF2-10D-120-XX	1000 W/1000 VA Spec Grade Dimmer 120 V~

Switches

Lighting and motor loads

MRF2-6ANS-XX*	6 A Lighting/3 A Fan (1/10 HP motor), Electronic Switch 120 V~
MRF2-8ANS-120-XX*	8 A Lighting, 5.8 A Fan (1/4 HP motor), Spec Grade Electronic Switch 120 V~
MRF2-6ANS-277-XX*	6 A Lighting, Spec Grade Electronic Switch 277 V~
MRF2-8S-DV-XX	8 A Lighting, Spec Grade Electronic Switch 120 V~ or 277 V~, NO NEUTRAL WIRE REQUIRED

* NEUTRAL WIRE REQUIRED.

Dimmer



Companion Dimmer



Switch



Companion Switch



Companion Controls

MA-R-XX	Companion Dimmer 120 V~
MA-AS-XX	Companion Switch 120 V~
MA-AS-277-XX	Companion Switch 277 V~

"XX" in the model number represents color/finish code.

Job Name:	Model Numbers:
Job Number:	

Colors and Finishes

Gloss Finishes



White
WH



Ivory
IV



Hot
HT



Merlot
MR



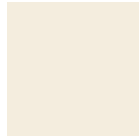
Plum
PL



Turquoise
TQ



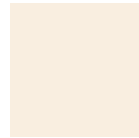
Almond
AL



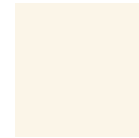
Light
Almond
LA



Taupe
TP



Eggshell
ES



Biscuit
BI



Snow
SW



Gray
GR



Brown
BR



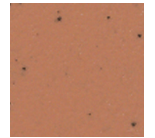
Palladium
PD



Midnight
MN



Sienna
SI



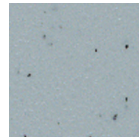
Terracotta
TC



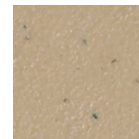
Black
BL



Greenbriar
GB



Bluestone
BG



Mocha
Stone
MS

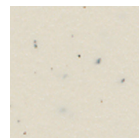


Goldstone
GS

Due to printing limitations, colors and finishes shown cannot be guaranteed to perfectly match actual product colors.



Desert Stone
DS



Stone
ST



Limestone
LS

Metal Finish (wallplate only)



Stainless
Steel SS

When using Stainless Steel wallplates, it is recommended to order the controls in Black (BL) or Midnight (MN).

Job Name:	Model Numbers:
Job Number:	

Load Type and Capacity

Control	Voltage	Load Type	Minimum Load	Maximum Load			Neutral Connection
				Not Ganged	End of Gang	Middle of Gang	
MRF2-6ND-120 ^{1,2,6}	120 V~	Incand.	25 W	600 W	500 W	400 W	YES
		MLV ²	25 W/VA	450 W/ 600 VA	400 W/ 500 VA	300 W/ 400 VA	
MRF2-600M ^{1,6}	120 V~	Incand.	50 W	600 W	500 W	400 W	NO
MRF2-6MLV ^{1,2,6}	120 V~	MLV ²	50 VA	450 W/ 600 VA	400 W/ 500 VA	300 W/ 400 VA	NO
MRF2-10D-120 ^{1,2}	120 V~	Incand.	50 W	1000 W	800 W	650 W	NO
		MLV ²	50 W/VA	800 W/ 1000 VA	600 W/ 800 VA	500 W/ 650 VA	
MRF2-8ANS-120 ^{3,5}	120 V~	Lighting	25 W	8 A	6.5 A	5 A	YES
		Fan Motor	0.2 A	1/4 HP 5.8 A	1/4 HP 5.8 A	1/6 HP 4.4 A	
MRF2-6ANS ³	120 V~	Lighting	25 W	6 A	5 A	3.5 A	YES
		Fan Motor	0.2 A	1/10 HP 3 A	1/10 HP 3 A	1/10 HP 3 A	
MRF2-6ANS-277 ⁴	277 V~	Lighting	25 W	6 A	5 A	3.5 A	YES
MRF2-8S-DV ⁴	120/ 277 V~	Lighting	40 W	8 A	6.5 A	5 A	NO

1 Dimmer Load Type: -6ND, -6MLV and -10D are designed for use with permanently installed incandescent, magnetic low-voltage, or tungsten halogen only. -600M is designed for use with permanently installed incandescent or tungsten halogen only. Do not install dimmers to control receptacles or motor-operated appliances.

2 Low-Voltage Applications: Use -6ND, -6MLV and -10D with magnetic (core and coil) low-voltage transformers only. Not for use with electronic (solid-state) low-voltage transformers. Operation of a low-voltage circuit with lamps inoperative or removed may result in transformer overheating and premature failure. Lutron strongly recommends the following:

- Do not operate low-voltage circuits without operative lamps in place.
- Replace burned-out lamps as quickly as possible.
- Use transformers that incorporate thermal protection or fused transformer primary windings to prevent transformer failure due to overcurrent.

3 Switch Load Type: -8ANS-120 is designed for use with permanently installed lighting loads and with motor loads up to 1/4 HP (5.8 A).
-6ANS is designed for use with permanently installed lighting loads and with motor loads up to 1/10 HP (3 A).

4 Switch Load Type: -6ANS-277 and -8S-DV are designed for use with permanently installed lighting loads.

5 For loads larger than 8 A @ 120 V~, the -8ANS-120 switch can be used with the PHPM-SW-DV-WH power booster. For loads larger than the MRF2-6ANS-277 capacity of 6 A @ 277 V~, the -8ANS-120 can also be used with the PHPM-SW-DV-WH power booster to switch 277 V~ loads. Please note that in this application, the -8ANS-120 switch is providing an input at 120 V~ and the power booster is switching 277 V~. See Wiring Diagrams 5 and 6 for wiring information.

6 Can control the following power boosters/load interfaces: Phase-adaptive Power Modules (PHPM-PA-DV-WH, PHPM-PA-120-WH), 3-wire Fluorescent Power Modules (PHPM-3F-DV-WH, PHPM-3F-120-WH), Hi-Power 2•4•6™ Boosters (HP-2, HP-4, HP-6), 0-10 Volt Interface (GRX-TVI), Minimum Load Interface (LUT-LBX).

Job Name:	Model Numbers:
Job Number:	

Specifications

Regulatory Approvals

- UL Listed.
- CSA Certified.
- FCC Approved. Complies with the limits for a Class B digital device, pursuant to Part 15 of the FCC Rules.
- Industry Canada Certified.

Power

Operating voltage:

120 V~ 60 Hz

277 V~ 60 Hz (-6ANS-277 or -8S-DV)

Key Design Features

Dimmers

- On a single-tap, lights fade UP or DOWN.
- On a double-tap, lights go to full ON.
- When ON, press and hold to engage 20-second fade to OFF.
- Light levels can be fine-tuned by pressing and holding the dimming rocker until the desired light level is reached.
- Two-wire dimmers available.

Switch

- On a single-tap, lights turn ON or OFF.
- Two-wire switches available.

All RF Local Controls

- Tested to withstand electrostatic discharge without damage or memory loss, in accordance with IEC 61000-4-2.
- Tested to withstand surge voltages without damage or loss of operation, in accordance with IEEE C62.41-1991 Recommended Practice on Surge Voltages in Low-Voltage AC Power Circuits.
- Controls always operate locally and do not require system control.

- Power failure memory: should power be interrupted, the control will return to its previously set level prior to the interruption when power is restored.
- Uses conventional 3-way and 4-way wiring.
- Multiple location control from Dimmer/Switch and up to 9 Companion Dimmer(s)/Switch(es).
- Use Lutron® Designer (Claro®) wallplates or designer-style wallplates from other manufacturers. Wallplates are sold separately.
- Lutron *Claro* wallplates snap on with no visible means of attachment.
- Requires a 1-gang U.S. wallbox. 3½ in (89 mm) deep recommended, 2¼ in (57 mm) deep minimum.
- Green indicator lights.

System Communications and Capacity

- *Maestro Wireless* controls communicate with the Pico™ wireless controls and ceiling mount occupancy sensors through radio frequency (RF).
- *Maestro Wireless* local controls must be located within 30 feet (9 m) of a *Pico* wireless control or ceiling mount occupancy sensor.
- Up to 10 *Maestro Wireless* controls can be configured to work together.

Environment

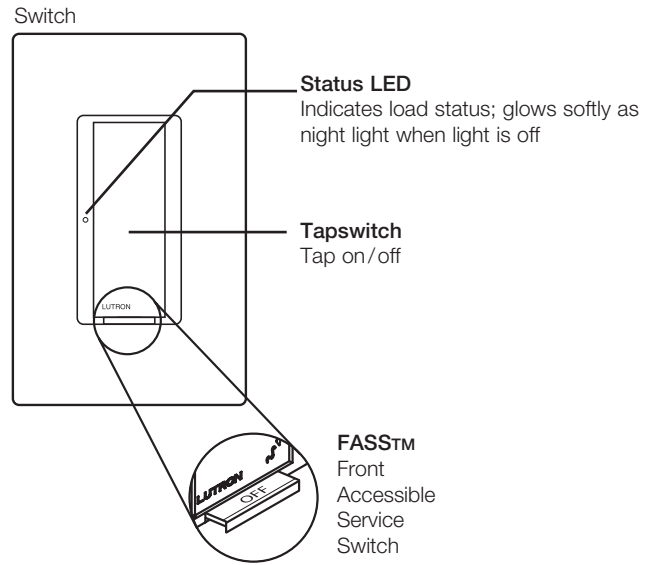
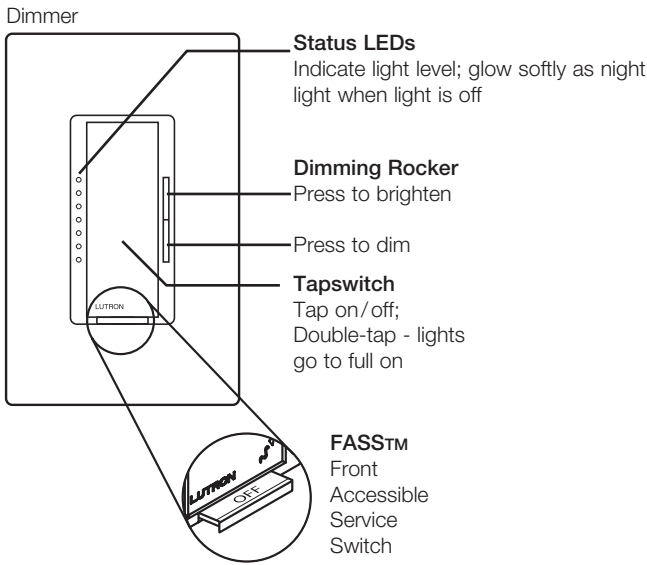
- Ambient operating temperature: 32 °F to 104 °F (0 °C to 40 °C), 0%-90% humidity, non-condensing. Indoor use only.

Warranty

- 1 Year Limited Warranty.

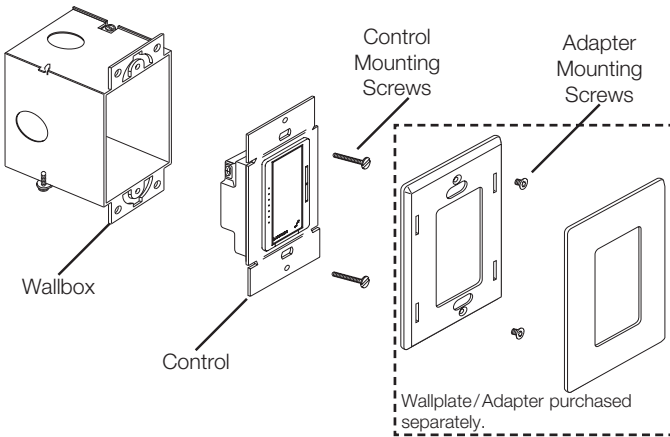
Job Name:	Model Numbers:
Job Number:	

Operation



IMPORTANT NOTICE:
FASS - Front Accessible Service Switch - to service load, remove power by pulling the *FASS* switch out completely on either the Dimmer/Switch or Companion Dimmer/Switch. After servicing load, push the *FASS* switch back in fully to restore power to the control.

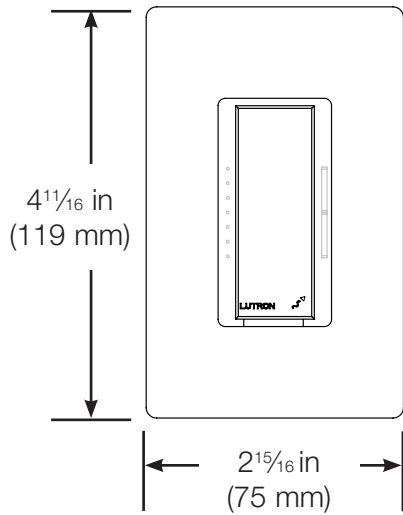
Mounting



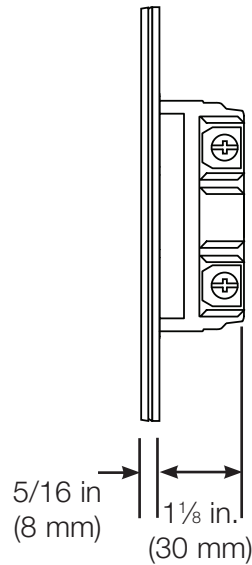
Job Name:	Model Numbers:
Job Number:	

Dimensions

Front View

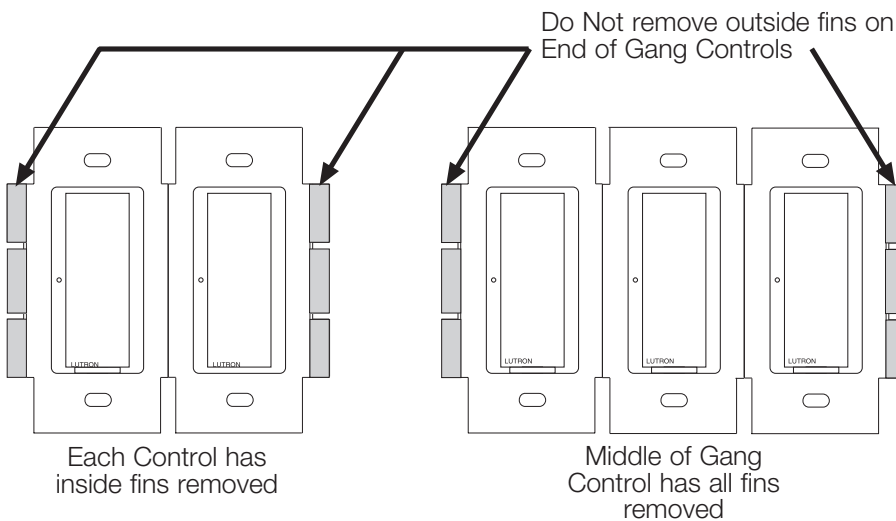


Side View



Ganging and Derating

When ganging with other controls in the same wallbox, derating is required. See Load Type and Capacity chart. Only -8ANS controls have fins that need to be removed for multigang installations. No other controls have fins, but they must still be derated in multigang installations.

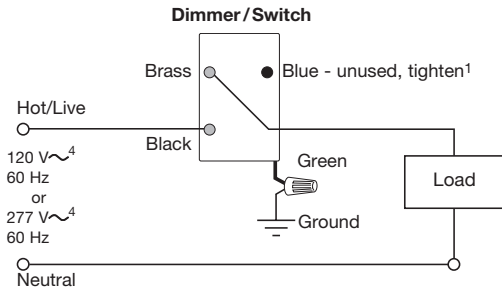


Job Name:	Model Numbers:
Job Number:	

Wiring Diagrams

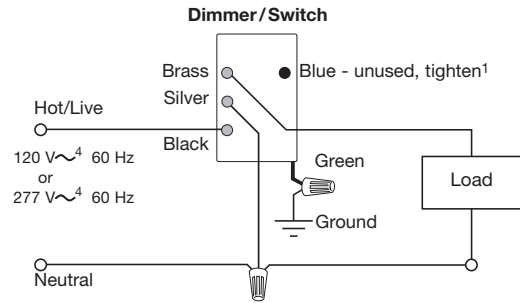
Single Location Installation

-600M, -6MLV, -10D, -8S-DV



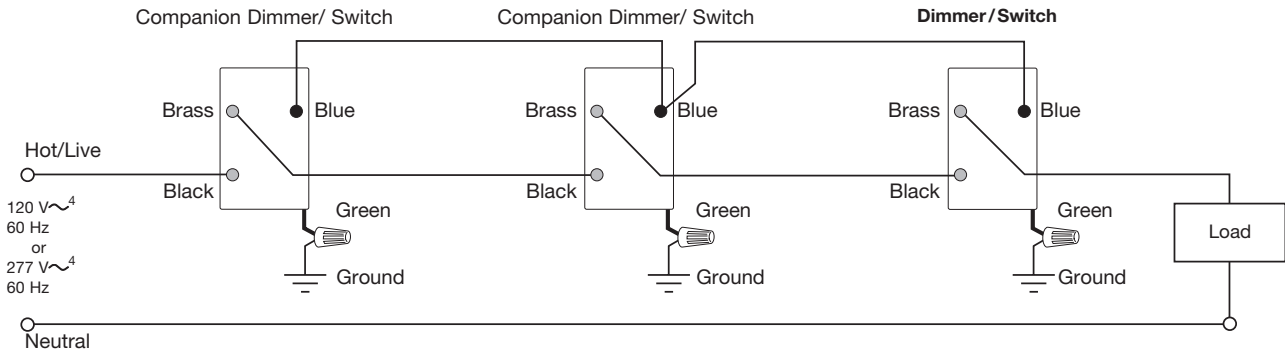
Single Location Installation with Neutral

-6ND, -6ANS-120, -8ANS-120, -6ANS-277



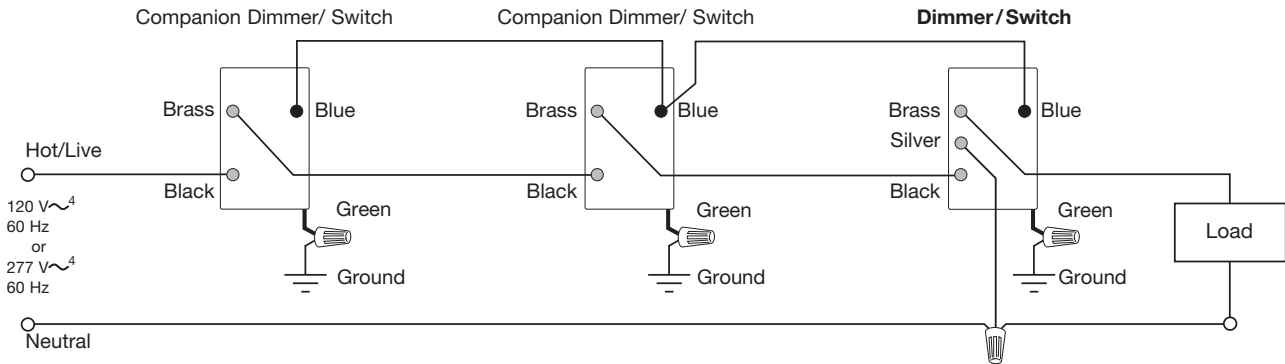
Multi-Location Installation²

-600M, -6MLV, -10D with MA-R; -8S-DV⁵ with MA-AS/MA-AS-277



Multi-Location Installation with Neutral^{2,3}

-6ND with MA-R; -6ANS-120, -8ANS-120 with MA-AS; -6ANS-277 with MA-AS-277



¹ When using controls in single location installations, tighten the blue terminal. **DO NOT** connect the blue terminal to any other wiring or to ground.

² Up to 9 *Maestro* Companion Dimmers/Switches may be connected to the *Maestro Wireless* Dimmer/Switch. Total blue terminal wire length may be up to 250 ft (76 m).

³ Neutral wire Dimmers/Switches must be connected on the Load side of a multi-location installation.

⁴ 120 V~ : -6ND, -6ANS-120, -8ANS-120
277 V~ : -6ANS-277, 8S-DV

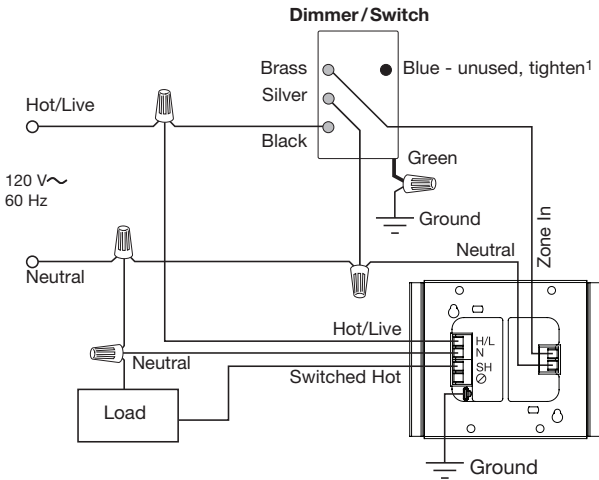
⁵ Requires MA-AS for 120 V~ applications, and MA-AS-277 for 277~ V applications.

Job Name:	Model Numbers:
Job Number:	

Wiring Diagrams

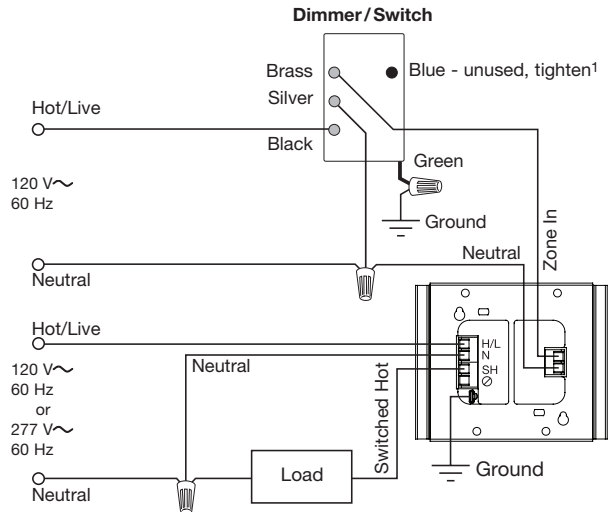
Single Location Installation with Power Booster Single Feed

-6ND with PHPM-PA-120-WH or PHPM-PA-DV-WH
-6ANS-120, -8ANS-120 with PHPM-SW-DV-WH



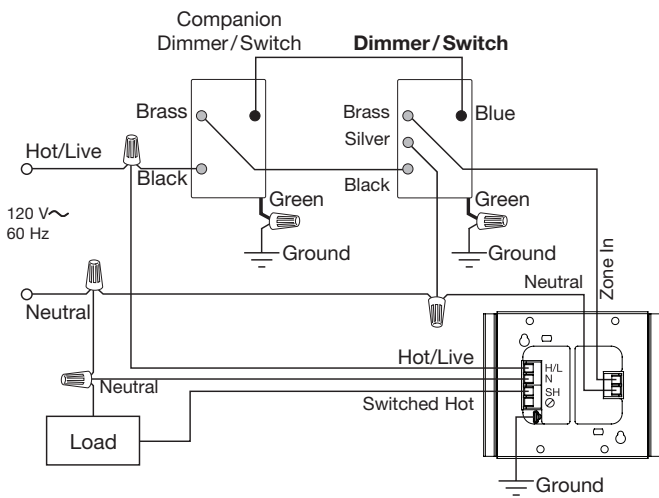
Single Location Installation with Power Booster Dual Feed

-6ND with PHPM-PA-DV-WH
-6ANS-120, -8ANS-120 with PHPM-SW-DV-WH



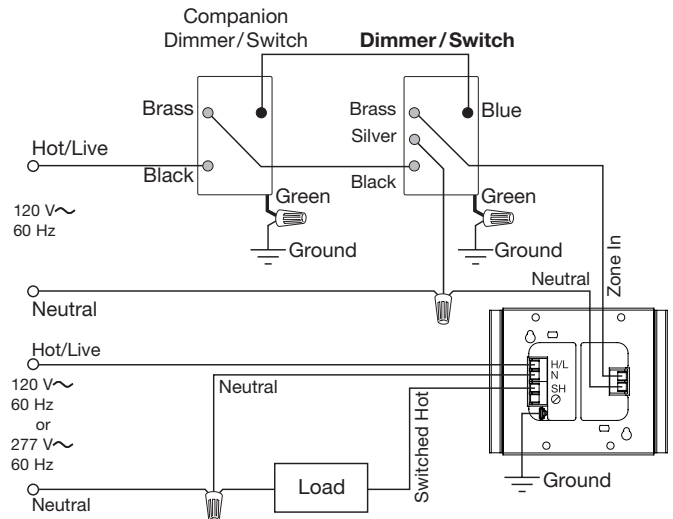
Multi-Location Installation with Power Booster^{2,3} Single Feed

-6ND with MA-R and PHPM-PA-120-WH/PHPM-PA-DV-WH
-6ANS-120, -8ANS-120 with MA-AS and PHPM-SW-DV-WH



Multi-Location Installation with Power Booster^{2,3} Dual Feed

-6ND with MA-R and PHPM-PA-DV-WH
-6ANS-120, -8ANS-120 with MA-AS and PHPM-SW-DV-WH



¹ When using controls in single location installations, tighten the blue terminal. **DO NOT** connect the blue terminal to any other wiring or to ground.

² Up to 9 *Maestro* Companion Dimmers/Switches may be connected to the *Maestro Wireless* Dimmer/Switch. Total blue terminal wire length may be up to 250 ft (76 m).

³ Neutral wire Switches must be connected on the Load side of a multi-location installation.

Job Name:	Model Numbers:
Job Number:	