

EVOLUTION™ OVAL

5-1/2' Whirlpool and Air Spa

- 2645V (specify color)**
 - Acrylic with fiberglass reinforcement
 - 1.4 HP single speed, self-draining pump/motor
 - Six adjustable Comfort Jets™
 - Molded-in lumbar back rest
 - Side-mounted air switch On/Off
 - Two air volume controls
 - Factory installed and tested whirlpool system
 - Self leveling feet
 - Designed for undermount installation option

- 2645VC EverClean™ Whirlpool Massage:**
 - Same as 2645V except with the EverClean™ whirlpool system featuring Antimicrobial AlphaSan®

- 2645VAC EverClean™ Air Spa**
 - Features Antimicrobial AlphaSan®
 - 1.25 HP single speed pump/motor
 - Eight Comfort Air Jet system
 - Side-mounted air switch On/Off
 - Quick connect E-Z-Install™ heater system (must order E-Z-Install™ heater separately)
 - Undermount installation option

- 2645VA Air Spa**
 - Same as 2645VAC without Antimicrobial AlphaSan®

Nominal Dimensions:

66" x 36" x 19-3/4"
(1676 x 914 x 502mm)

**Compliance Certifications -
Meets or Exceeds the Following Specifications:**

- Underwriters Laboratories - Hydromassage Bathtubs UL 1795
- ASME A112.19.7M for Whirlpool Appliances
- ANSI Z124.1 for Plastic Bathtubs
- ASTM E162 for Flammability
- NFPA 258 for Smoke Density



To Be Specified - Required:

- Color:
- Bath Filler: (specify finish)
- Bath Drain: 1583.470 (specify finish)

To Be Specified - Optional:

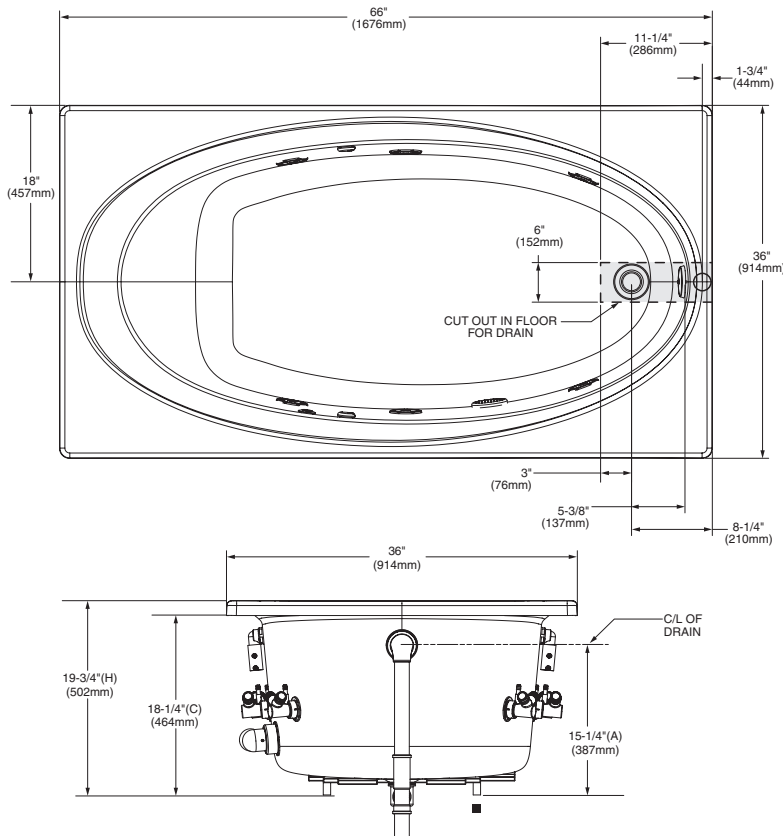
- 5-1/2 Foot Apron: 9266.018.XXX (specify color)

* See American Standard Faucet Selector

For color/finish availability and other faucet choices, please see the Product Selector and Pricing Guide.

SEE REVERSE FOR ROUGHING-IN DIMENSIONS
AND PRODUCT SPECIFICATIONS

2645V
Whirlpool shown



DIMENSIONS OF FIXTURES ARE NOMINAL AND MAY VARY WITHIN THE RANGE OF TOLERANCES ESTABLISHED BY ANSI STANDARDS Z124.1 AND A112.19.7.

GENERAL SPECIFICATIONS FOR 2645V BATHING POOL	
INSTALLED SIZE	66 x 36 x 19-3/4 In. (1676 x 914 x 502mm)
WEIGHT	96 Lbs. (44 Kg.)
WEIGHT w/WATER	580 Lbs. (263 Kg.)
GAL. TO OVERFLOW	58 Gal. (219 L)
WHIRLPOOL MIN. OPERATING VOL.	42 Gal. (159 L)
BATHING WELL AT SUMP	49 x 26 In. (1245 x 660mm)
BATHING WELL AT RIM	62 X 32 In. (1575 x 813mm)
WATER DEPTH TO OVERFLOW	12-3/4 In. (324mm)
FLOOR LOADING (PROJECTED AREA)	35 Lbs./Sq.Ft. (171 Kgs./Sq.m)
WHIRLPOOL ELECTRICAL SPECIFICATIONS	
PUMP	1.4 HP, 9.7 AMPS, 120V.

NOTES:

BATH CAN BE INSTALLED EITHER ABOVE OR BELOW FLOOR LINE AS PIER, ISLAND, OR PENINSULA TYPE INSTALLATION. SUMP OF BATH IS SUPPORTED BY INTEGRAL FEET. NO ADDITIONAL SUPPORT REQUIRED. ENCLOSING MATERIAL BY OTHERS.

■ REFER TO INSTALLATION INSTRUCTIONS SUPPLIED WITH WHIRLPOOL FOR ADDITIONAL INFORMATION.

OPTIONAL APRON 9266.018 OR 9366.018 AVAILABLE AND MUST BE ORDERED SEPARATELY.

FITTINGS NOT INCLUDED, MUST BE ORDERED SEPARATELY.

PROVIDE SUITABLE REINFORCEMENT FOR ALL SUPPORTS.

IMPORTANT: Dimensions of fixtures are nominal and may vary within the range of tolerances established by ANSI Standard Z124.1 These measurements are subject to change or cancellation. No responsibility is assumed for use of superseded or voided pages.