

quick start guide

RF195/197**

RF215/217**

Product features



Surround Multi Flow

A center-positioned fan and ducts with multiple flow effluences provide uniform cooling for each shelf and fresh food compartment corners.



Moving Tray

The Deli Drawer can be moved side to side for easier access.



Twin Cooling System

The refrigerator and the freezer have two evaporators. Given this independent system, the freezer and the refrigerator are cooled individually and more efficiently. Food odor from the refrigerator does not affect food in the freezer due to separate air flow circulation.



Digital Display & Temperature Control

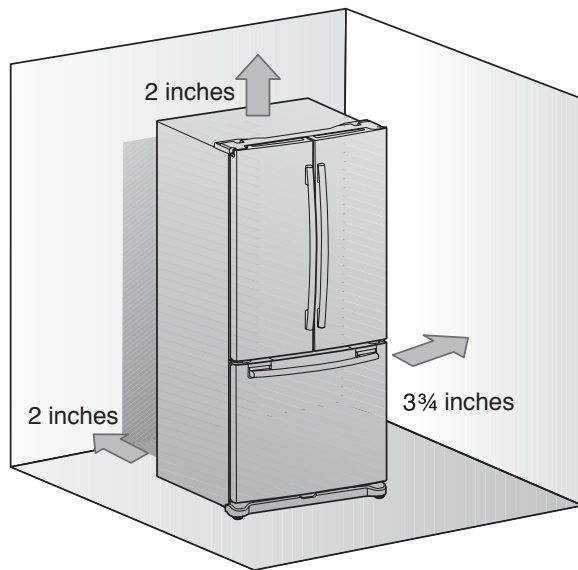
Digital Display & Temperature Control enable easy setting of your refrigerator.



Easy Handle System (RF197/217**)

The freezer door is more user friendly and convenient.

The Installation Space



Selecting the best location for the Refrigerator

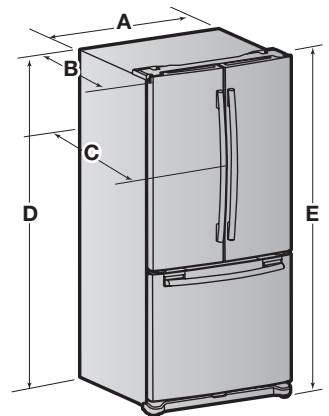
- A Location with easy access to the water supply.
- A Location without direct exposure to sunlight.
- A Location with level (or nearly level) flooring.
- A Location with enough space for the Refrigerator doors to open easily.
- Allow sufficient space for air circulation of the internal cooling system.

If the Refrigerator does not have enough space, the internal cooling system may not work properly.

First thing! Make sure that you can easily move your Refrigerator to its final location by measuring doorways (both width and height), thresholds, ceilings, stairways, etc.

The following chart details the exact height and depth of Samsung French Door Refrigerator.

Model		RF19*	RF21*	
Capacity (cu.ft)		17.8	19.7	
Dimension (inches)	Width (A)	32 1/4"	32 1/4"	
	Depth	without door (B)	24 3/8"	26 1/4"
		with door (C)	30 1/2"	32 1/2"
	Height	without hinge (D)	68 5/8"	68 5/8"
		with hinge (E)	69 3/4"	69 3/4"

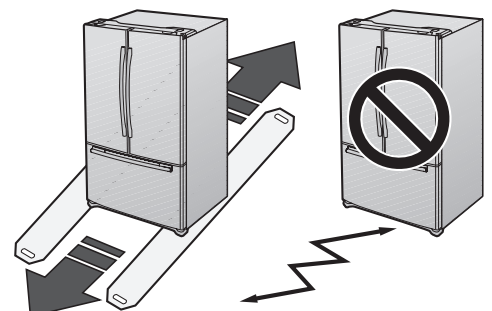


- Allow clearance to the right, left, back and top when installing. This will help reduce power consumption and keep your energy bills lower.
- If you install the Refrigerator where is below 50°F (10°C), it may not function optimally.
- Do not locate the refrigerator where it may become wet.



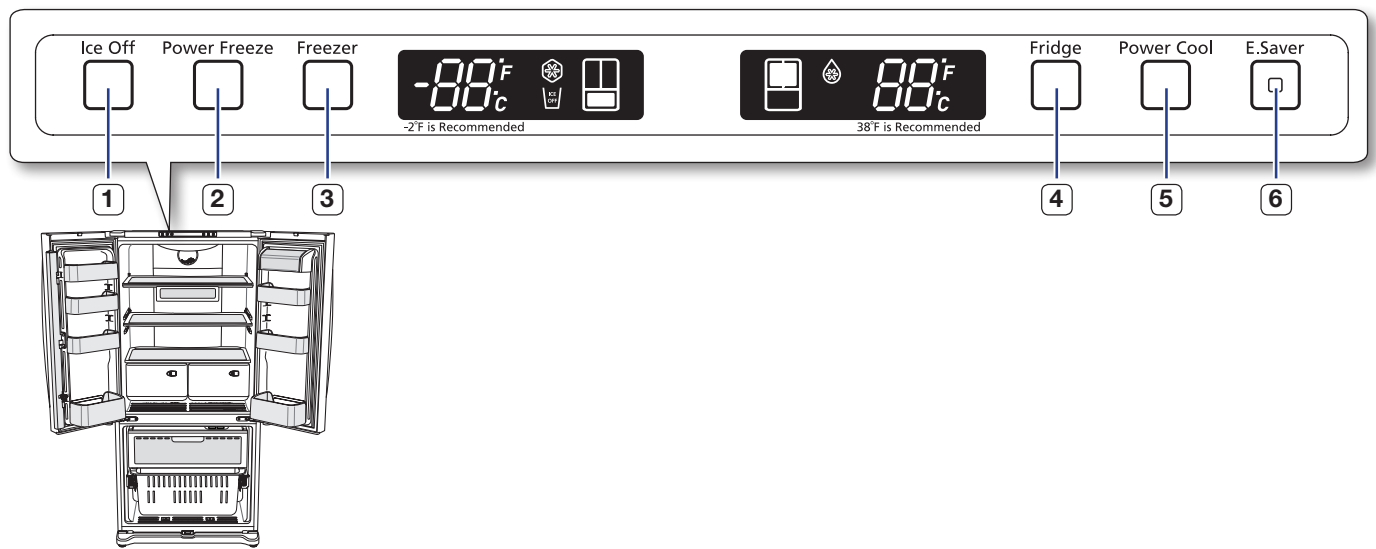
FLOORING

For proper installation, this refrigerator must be placed on a level surface of hard material that is the same height as the rest of the flooring. This surface should be strong enough to support a fully loaded refrigerator, or approximately 223lbs(106kg). To protect the finish of the flooring, cut a large section of the cardboard carton and place under the refrigerator where you are working. When moving the refrigerator, be sure to pull it straight out and return it to position by pushing it straight in.



Operating your French Door Refrigerator

USING THE CONTROL PANEL



(1) Ice Off Button

When the **Ice Off Button** is pressed, ice will not be produced. Use this function only when it is needed.

(2) Power Freeze Button

Press this button to freeze food quickly. (Power Freeze will last 2 and a half hours.)

(3) Freezer Button

Freezer temperature set button. Press this button to set the Freezer temp between 8°F and -8°F. (At initial power on, the default setting is -2°F.)

(4) Fridge Button

Fridge temperature set button. Press this button to set the Fridge temperature in 2°F intervals between 46°F and 34°F. (At initial power on, the default setting is 38°F.)

(5) Power cool Button

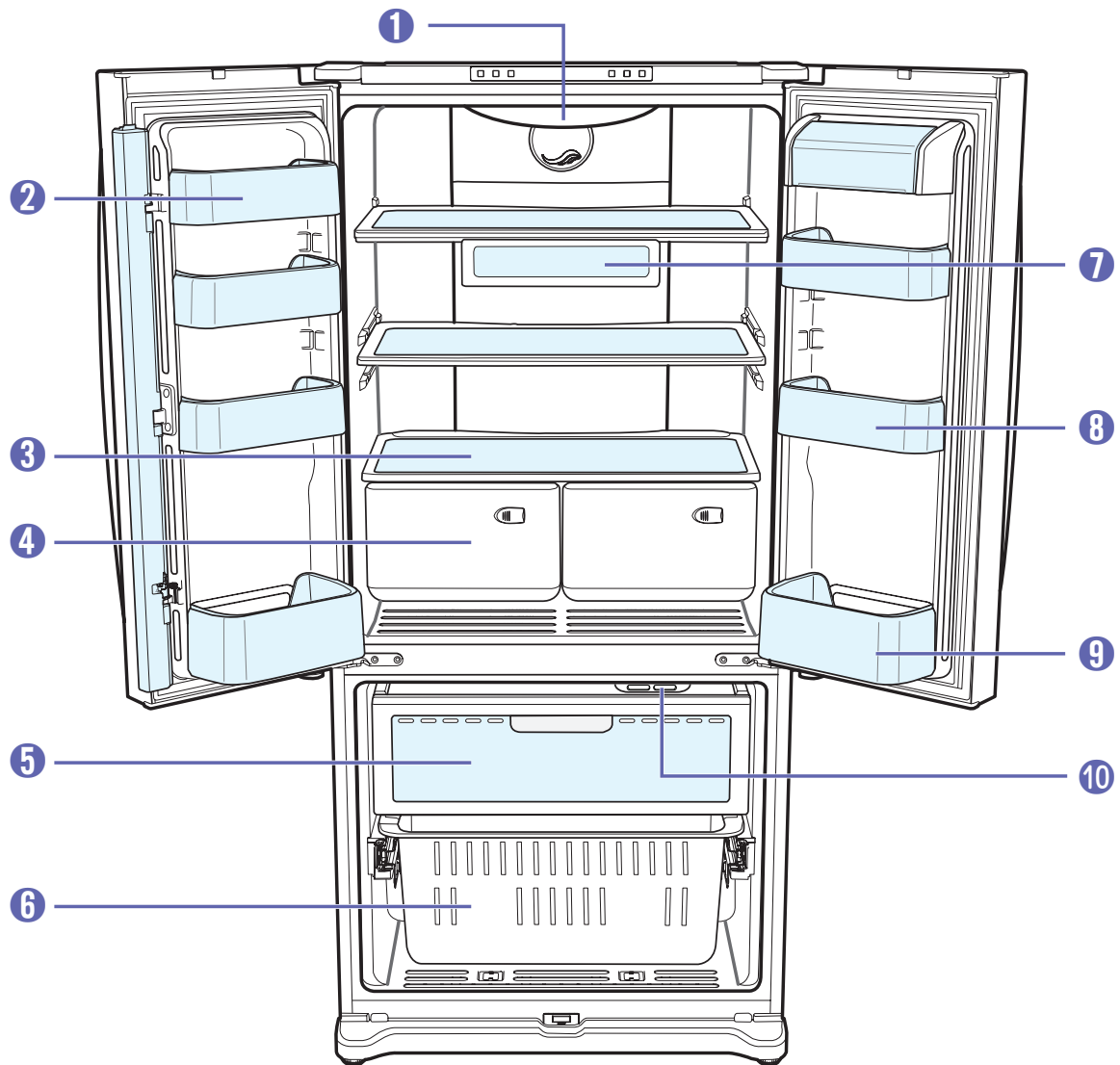
Press this button to cool the food in the fridge quickly. (Power Cool will shut off when 25°F is reached or after 2 and a half hours.)

(6) E.Saver Button

Press the Energy Saver button for better energy efficiency. If water drops appear on the doors, turn the Energy Saver function off.

Names and basic functions

NAME OF EACH COMPONENT



1. Fridge Light

2. Door Bin

3. Glass Shelf

4. Vegetable & Fruit Drawer

5. Pull Out Drawer

6. Freezer Drawer Bin

7. Moving Tray (Location is adjustable)

8. Door Bin

9. Bottle Bin

10. Freezer Light

Names and basic functions

CONTROLLING THE TEMPERATURE



Setting the freezer temperature

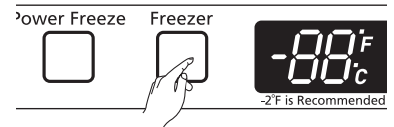
If you want to control the freezer temperature, follow as below.


Press the Freezer Button (Refer to the picture)

- The temperature can be set in 2°F intervals between -8°F and 8°F.
- Each time the Freezer Button is pressed, the temperature setting will change as follows;
(-2°F → -4°F → -6°F → -8°F → 8°F → 6°F → 4°F → 2°F → 0°F → -2°F)

When selecting the temperature, the set temperature is displayed initially for 5 seconds, then the actual temperature is displayed.

(There may be slight difference between the set temperature and displayed actual temperature, but it will be corrected to the set temperature automatically.)



-  - The Freezer temperature will change depending on the number of door openings, quantity of food, ambient temperature, etc.
- The temperature display will blink when freezer temperature increases due to frequent door opening, keeping warm food, etc.
(Blinking will stop when the refrigerator reaches normal temperature. If for some reason it does not stop after a long period of time, contact a Samsung service center.)

Setting the fridge temperature

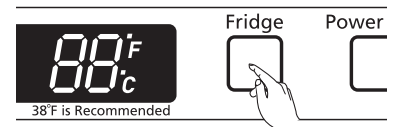
If you want to control the fridge temperature, follow as below.


Press the Fridge Button (Refer the picture)

- The temperature can be set in 2°F intervals between 34°F and 46°F.
- Each time the Fridge Button is pressed, the temperature setting will change as follows;
(38°F → 36°F → 34°F → 46°F → 44°F → 42°F → 40°F → 38°F)

When selecting the fridge temperature, the set temperature is displayed initially for 5 seconds, then the actual temperature is displayed.

(There may be slight difference between the set temperature and displayed actual temperature, but it will be corrected to the set temperature automatically.)



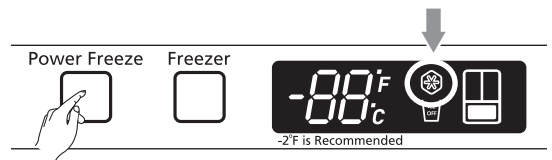
-  - The Fridge temperature will change depending on the number of door openings, quantity of food, ambient temperature, etc.
- Temperature of each shelf or container in the fridge may be different.
- The temperature display will blink when fridge temperature increases due to frequent door opening, keeping warm food, etc.
(Blinking will stop when the refrigerator reaches normal temperature. If for some reason it does not stop after a long period of time, contact a Samsung service center.)

Names and basic functions

If you want to make ice faster (controlling the Power Freeze)

Press the Power Freeze Button. (Refer to the picture.)

- The Power Freeze light on the display comes on (see the arrow mark) and this function begins to operate regardless of the set freezer temperature.



Press the Power Freeze Button again to cancel this function.

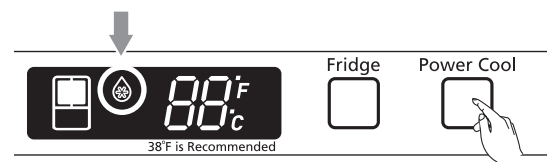
- The light goes off and it operates at the set freezer temperature again.

- The Power Freeze function operates for 2 and a half hours regardless of the set temperature.

If you want to speed up the cooling in the Fridge (Power cool)

Press the Power cool Button. (Refer to the picture.)

- The Power cool light on the display comes on (see the arrow mark) and this function begins to operate regardless of the set fridge temperature.



Press the Power cool Button again to cancel this function.

- The light goes off and it operates at the set fridge temperature again.

- The Power Cool function operates for 2 and a half hours regardless of the set temperature.

Cooling off Mode (“OF & OF” code on the display)

- This function is for store display refrigerators. It is not for customer use.
If the power is turned off and then back on when Cooling off mode is set to on, Cooling off mode will remain on.

CAUTION In Cooling Off Mode, the refrigerator works but doesn't make cool air.
To cancel this mode, press the Power Freeze and Freezer buttons at the same time for 3 seconds until a “Ding-dong” sound is heard. The unit will now cool.



Troubleshooting

PROBLEM	SOLUTION
The refrigerator does not work at all or it does not chill sufficiently.	<ul style="list-style-type: none">• Check that the power plug is properly connected.• Is the temperature control on the display panel set to the correct temperature? Try setting it to a lower temperature.• Is the Refrigerator in direct sunlight or located near a heat source?• Is the back of the Refrigerator too close to the wall and therefore keeping air from circulation?
The food in the refrigerator is frozen.	<ul style="list-style-type: none">• Is the temperature control on the display set to the correct temperature? Try setting it to a warmer temperature.• Is the temperature in the room too low?• Did you store the food too close to the air vent at the back of the Refrigerator? Move the food away from the air vent.
You hear sounds.	<ul style="list-style-type: none">• Check that the Refrigerator is level and stable.• Is the back of the Refrigerator too close to the wall and therefore keeping air from circulating?• Was anything dropped behind or under the Refrigerator?• A “ticking” sound is heard from inside the Refrigerator. It is normal and occurs because various accessories are contracting or expanding according to the temperature of the Refrigerator interior.
The front corners and vertical hinged section of the appliance are hot and condensation is occurring.	<ul style="list-style-type: none">• Some heat is normal as anti-condensators are installed in the vertical hinged section of the Refrigerator to prevent condensation.• Is the Refrigerator door ajar? Condensation can occur when you leave the door open for a long time.
Ice Maker is not producing ice.	<ul style="list-style-type: none">• Did you wait for 12 hours after installation of the water supply line before making ice?• Is the water line connected and the shut-off valve opened?• Did you manually stop the ice making function?• Is the Freezer temperature too warm? Try setting the Freezer temperature lower.
You hear water bubbling in the refrigerator.	<ul style="list-style-type: none">• This is normal. The bubbling comes from the Refrigerator coolant liquid circulating through the Refrigerator.
There is a bad smell in the refrigerator.	<ul style="list-style-type: none">• Check for spoiled food.• Foods with strong odors(for example, fish) should be tightly covered.• Clean out your Freezer periodically and throw away any spoiled or suspicious food.
Frost forms on the walls of the Freezer.	<ul style="list-style-type: none">• Is the air vent blocked? Remove any obstructions so air can circulate freely.• Allow sufficient space between the foods stored for efficient air circulation.• Is the Freezer drawer closed properly?