

Product Information

Applicable product:	
Lavatory with overflow, with clamps	K-2209
Lavatory with overflow, with clamps	K-2210
Lavatory with glazed underside, without overflow, with clamps	K-2210-G
Lavatory with overflow, without clamps	K-2210-L
Lavatory without overflow	K-2210-N
Lavatory with overflow, with clamps	K-2211
Lavatory with glazed underside, without overflow, with clamps	K-2211-G
Lavatory with overflow, without clamps	K-2211-L

Fixture*:	Basin area	Water depth
K-2209	15" (381 mm) x 12" (305 mm)	4" (102 mm)
K-2210/K-2210-L/ K-2210-N/K-2210-G	17" (432 mm) x 14" (356 mm)	4" (102 mm)
K-2211/K-2211-G/ K-2211-L	19" (483 mm) x 15" (381 mm)	4" (102 mm)
Drain hole	1-3/4" (44 mm) D.	
* Approximate measurements for comparison only.		

Included components:	
Basin clamp assembly (not included with K-2210-L and K-2211-L)	52047
Cut-out template, K-2209	85838-7
Cut-out template, K-2210	1151011-7
Cut-out template, K-2211	1018997-7

Installation Notes

Install this product according to the installation guide.

Supplied basin clamp assemblies require 1" (25 mm) minimum countertop thickness. Installer must supply anchors for thinner countertops.

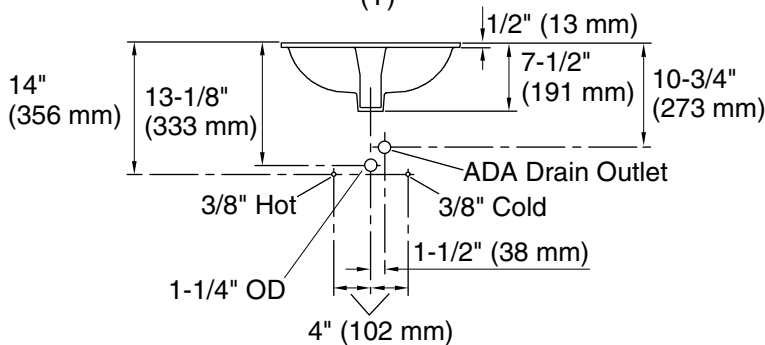
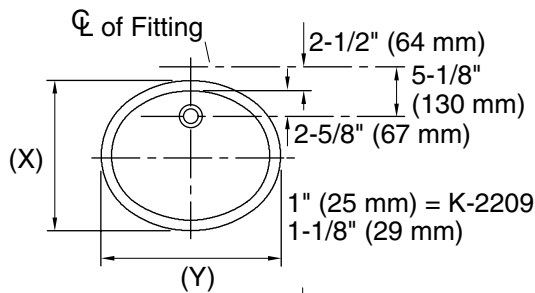
Will comply with **ADA** when installed per Section 606 Lavatories of the Act.

Will comply with **CSA B651** when installed per Clause 4.3.3 of the standard.

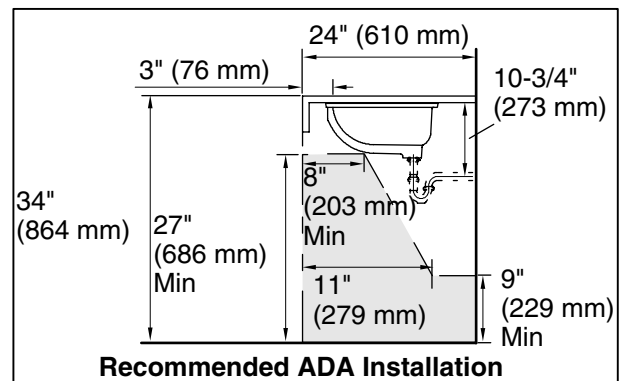
Will comply with **OBC** when installed per Clause 3.8.3.11.

Fixture conforms to ASME Standard A112.19.2/CSA B45.1. All dimensions are nominal.

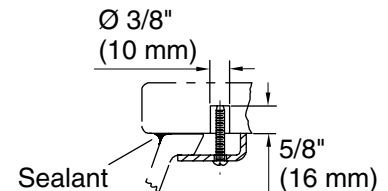
K-2209: (X) = 14" (356 mm), (Y) = 17" (432 mm)
 K-2210: (X) = 16-1/4" (413 mm), (Y) = 19-1/4" (489 mm)
 K-2211: (X) = 17-1/4" (438 mm), (Y) = 21-1/4" (540 mm)



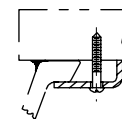
Standard Installation



Recommended ADA Installation



Marble Installation



Wood Installation