

### Product Information

Applicable product:	
Lavatory less soap dispenser hole	K-2917-8
Lavatory less soap dispenser hole	K-2917-4
Lavatory with soap dispenser hole on left	K-2917-4L
Lavatory with soap dispenser hole on right	K-2917-4R
Lavatory less soap dispenser hole	K-2917-1
Lavatory with soap dispenser hole on left	K-2917-1L
Lavatory with soap dispenser hole on right	K-2917-1R

Fixture*:	
Basin area	14" (35.6 cm) x 12" (30.5 cm)
Water depth	5" (12.7 cm)
Drain hole	1-11/16" (4.3 cm) D.
* Approximate measurements for comparison only.	

Holes	K-2917-8	K-2917-4	K-2917-1
Spout	1-1/8" (2.9 cm) D.	1-1/8" (2.9 cm) D.	1-3/8" (3.5 cm) D.

Faucet	1-3/8" (3.5 cm) D.	1-3/16" (3.3 cm) D.	
Soap dispenser		1-1/4" (3.2 cm) D.	

Included components:	
Overflow ferrule	84896
Cut-out template	101082-7

### Installation Notes

Install this product according to the installation guide.

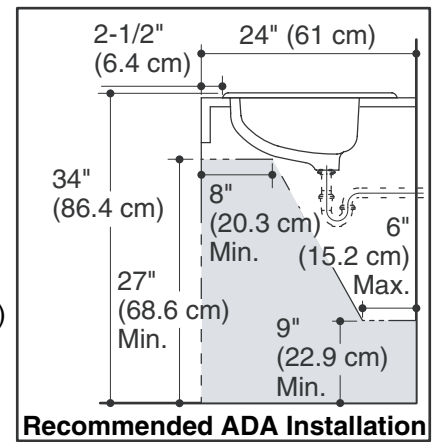
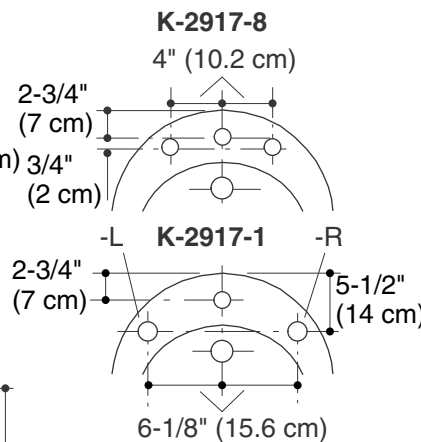
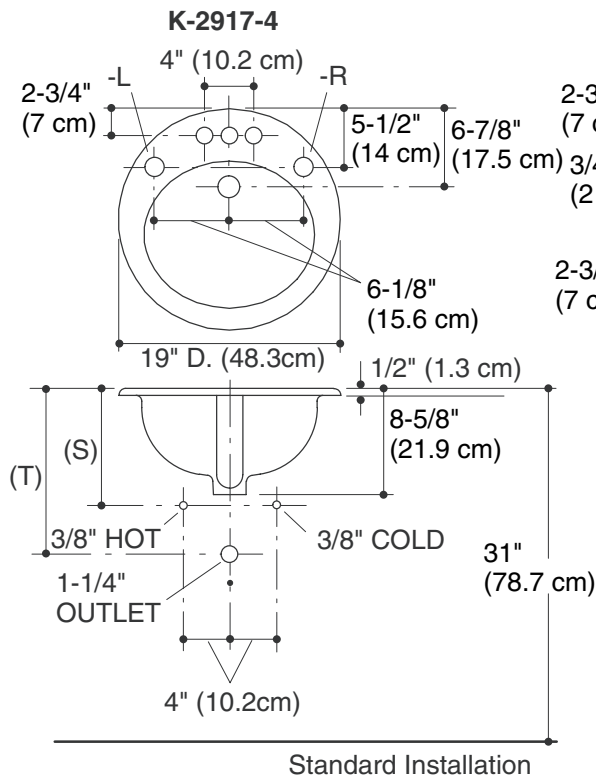
**NOTICE:** Countertop manufacturer or cutter **must** use the cutout template provided with the product, or a current one provided by Kohler Co. (call 1-800-4-KOHLER). Kohler Co. is not responsible for cutout errors when the incorrect cutout template is used.

Will comply with **ADA** when installed per Section 606 Lavatories of the Act.

Will comply with **CSA B651** when installed per Clause 4.3.3 of the standard.

Will comply with **OBC** when installed per Clause 3.8.3.11.

Fixture conforms to ASME Standard A112.19.1/CSA B45.2. All dimensions are nominal.



(T) Pop-up drain 14-3/16" (36 cm), grid drain 13-5/16" (33.8 cm).		
Supply (Based on 12" riser which may require cutting).	K-2917-4 K-2917-1	K-2917-8
(S)	10" (25.4 cm)	14" (35.6 cm)