

KOHLER® Roughing-In

K-2189 PORTRAIT® COUNTERTOP LAVATORY

Product Information

Applicable products:	
8" (20.3 cm) centers lavatory	K-2189-8
4" (10.2 cm) centers lavatory	K-2189-4
Single-hole lavatory	K-2189-1

Fixture*:	
Basin area	20" (50.8 cm) x 12" (30.5 cm)
Water depth	5" (12.7 cm)
Drain hole	1-3/4" (4.4 cm) D.
* Approximate measurements for comparison only.	

Holes	K-2189-1	K-2189-4	K-2189-8
Spout	1-3/8" (3.5 cm) D.	1-1/4" (3.2 cm) D.	1-3/8" (3.5 cm) D.
Faucet		1-1/4" (3.2 cm) D.	1-3/8" (3.5 cm) D.

Included components:	
Cut-out template	1004223-7

Installation Notes

Install this product according to the installation guide.

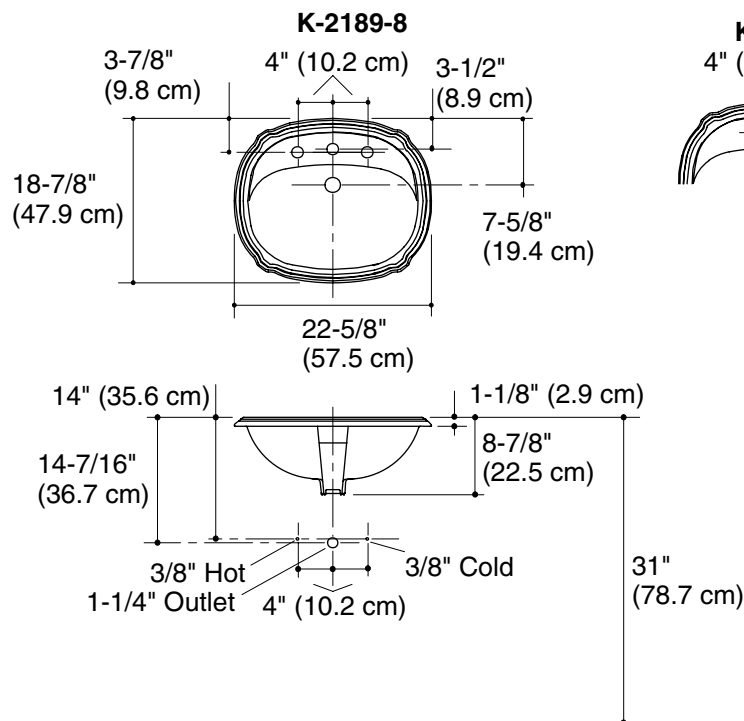
NOTICE: Countertop manufacturer or cutter **must** use the cut-out template provided with the product, or a current one provided by Kohler Co. (call 1-800-4-KOHLER). Kohler Co. is not responsible for cutout errors when the incorrect cut-out template is used.

Will comply with **ADA** when installer per section 606 Lavatories of the Act.

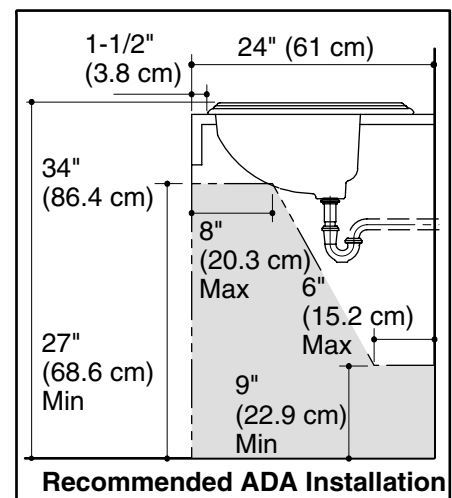
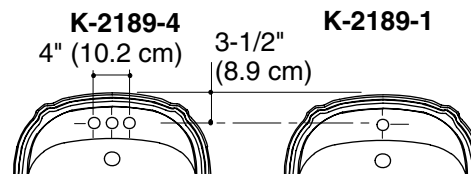
Will comply with **CSA B651** when installed per Clause 4.3.3 of the standard.

Will comply with **OBC** when installed per Clause 3.8.3.11.

Fixture conforms to ASME Standard A112.19.2/CSA B45.1. All dimensions are nominal.



Standard Installation



Recommended ADA Installation