

Product Information

Applicable product:	
Single-hole lavatory	K-2196-1
Single-hole lavatory without overflow	K-2196-1N
Single-hole lavatory without overflow; soap dispenser on right	K-2196-1K
Single-hole lavatory without overflow; soap dispenser on left	K-2098-1
Single-hole lavatory with overflow; soap dispenser on left	K-2196-1F
Single-hole lavatory with overflow; soap dispenser on right	K-2196-1L
Single-hole lavatory with overflow; soap dispenser on left	K-2196-1R

Fixture*:	
Basin area	16" (40.6 cm) x 11" (27.9 cm)
Water depth	4" (10.2 cm)
Drain hole	1-3/4" (4.4 cm) D.
*Approximate measurements for comparison only.	

Holes	
Spout	1-3/8" (3.5 cm) D.
Soap dispenser	1-1/4" (3.2 cm) D.

Included components:	
Cut-out template	1002970-7

Installation Notes

Install this product according to the installation guide.

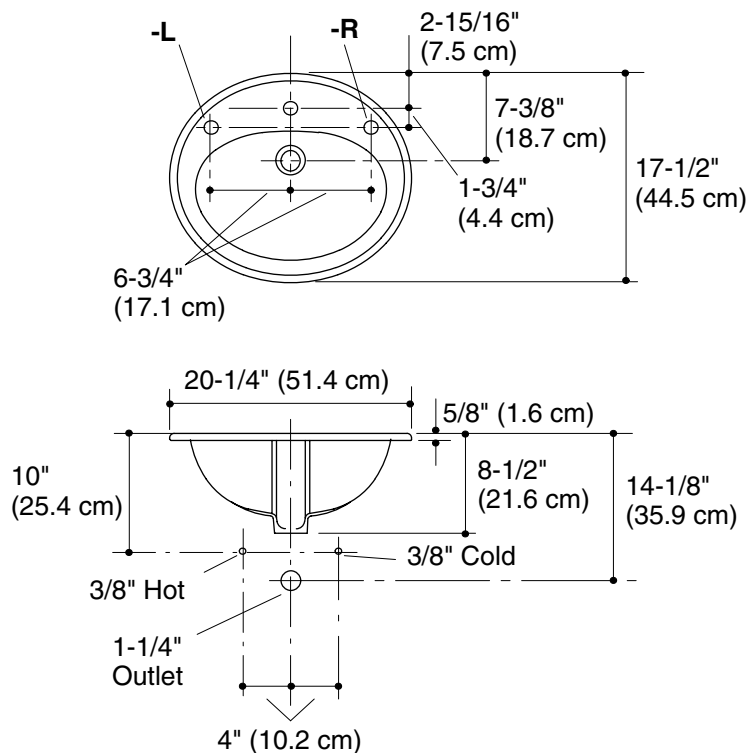
NOTICE: Countertop manufacturer or cutter **must** use the cutout template provided with the product, or a current one provided by Kohler Co. (call 1-800-4-KOHLER). Kohler Co. is not responsible for cutout errors when the incorrect cutout template is used.

Will comply with **ADA** when installed per Section 606 Lavatories of the Act.

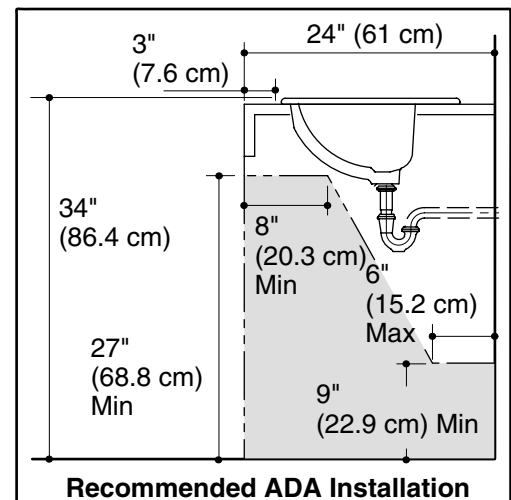
Will comply with **CSA B651** when installed per Clause 4.3.3 of the standard.

Will comply with **OBC** when installed per Clause 3.8.3.11.

Fixture conforms to ASME Standard A112.19.2/CSA B45.1. All dimensions are nominal.



Standard Installation



Recommended ADA Installation