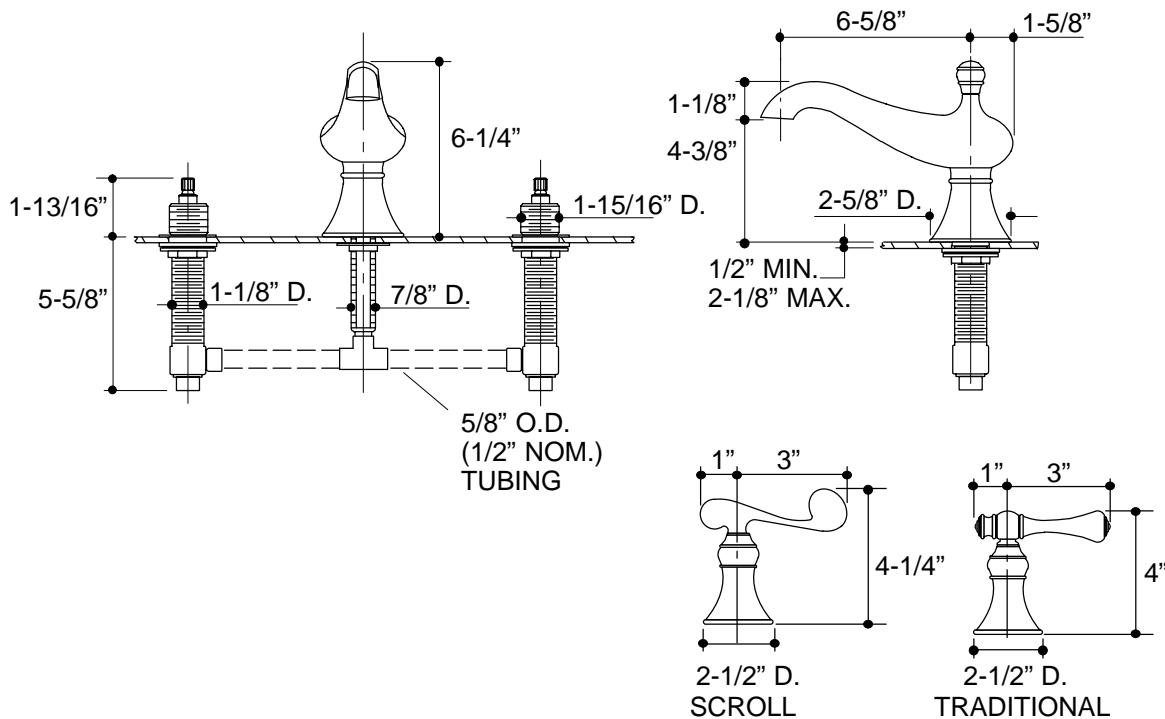


Ordering Information

Applicable faucet trim:		
Scroll handles with spout		K-T16122-4
Traditional handles with spout		K-T16122-4A
Applicable valve:		
1/2" valve system	K-300-K-NA	required*
* Required for configuration illustrated.		
ADA Traditional and scroll lever handles are ADA compliant		



18

K-T16122, K-300-K Revival™ Bath-Mount Bath Faucet Trim and Valve
115441-1-BA (-)

KOHLER®

NOTES: