

### Product Information

Applicable product:	
Lavatory – self-rimming	K-2804
Glazed underside – above-the-counter or wall-mount	K-2804-P5
Iron Etchings™ design – above-the-counter or self-rimming	K-14225
Fixture*:	
Basin area	13" (33 cm) x 12" (30.5 cm)
Water depth	4-3/8" (11.1 cm)
Drain hole	1-3/4" (4.4 cm) D.
*Approximate measurements for comparison only.	
Included components:	
Cut-out template	115887-7

### Installation Notes

Install this product according to the installation guide.

Product does not have overflow.

Spout must be a minimum of 5" (12.7 cm) long for adequate clearance into the lavatory when installed with the centerline as shown.

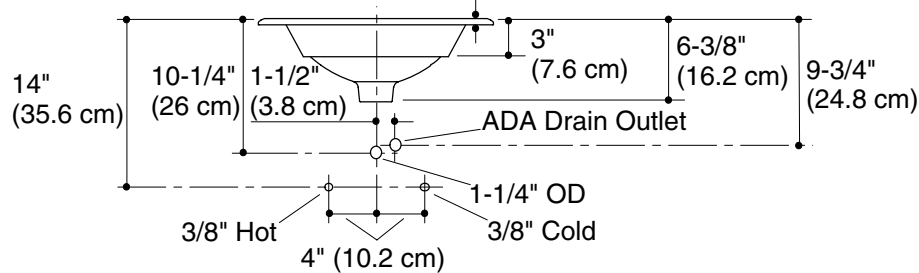
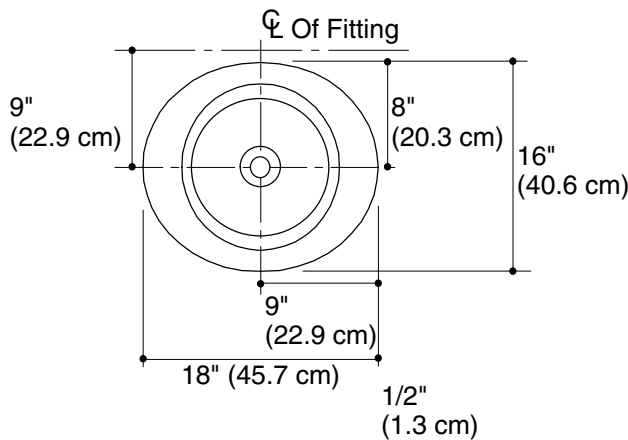
Spout must be tall enough to clear the 3" (7.6 cm) rim height and provide a 1" (2.5 cm) air gap per ASME A112.1.2.

Will comply with **ADA** when installed per Section 606 Lavatories of the Act.

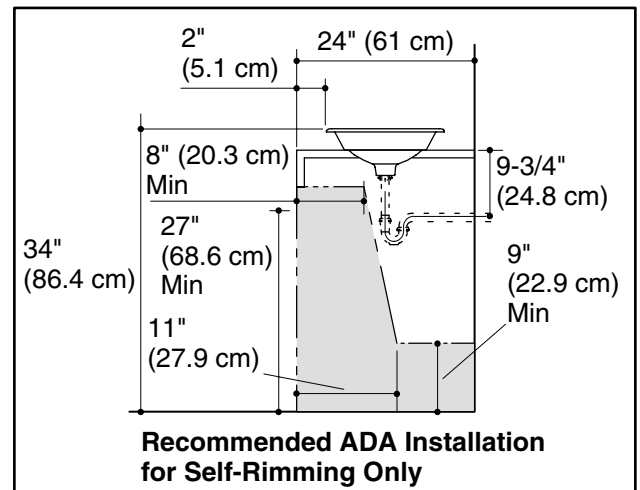
Will comply with **CSA B651** when installed per Clause 4.3.3 of the standard.

Will comply with **OBC** when installed per Clause 3.8.3.11.

Fixture conforms to ASME Standard A112.19.1/CSA B45.2 All dimensions are nominal.



**Standard Installation**



**Recommended ADA Installation  
for Self-Rimming Only**

**K-14225**

