

### Product Information

Applicable product:	
18" (45.7 cm) x 12" (30.5 cm) undercounter lavatory with overflow	K-2214
18" (45.7 cm) x 12" (30.5 cm) undercounter lavatory with glazed underside, less overflow	K-2214-G
21" (53.3 cm) x 14" (35.6 cm) undercounter lavatory with overflow	K-2215
Lavatory is ADA compliant when installed in a 21" (53.3 cm) minimum depth countertop. <b>ADA</b>	

Fixture*:		
Basin area	K-2214, K-2214-G	18-3/8" (46.7 cm) x 11-5/8" (29.5 cm)
	K-2215	20-7/16" (51.9 cm) x 13-1/2" (34.3 cm)
Water depth	4-5/8" (11.7 cm)	
Drain hole	1-3/4" (4.4 cm) D.	
* Approximate measurements for comparison only.		

Included components:	
Basin clamp assembly	52047
Cut-out template, K-2214 and K-2214-G	1053195-7
Cut-out template, K-2215	1002977-7

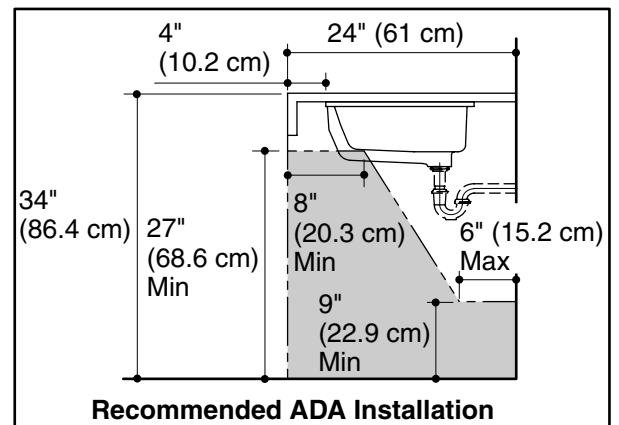
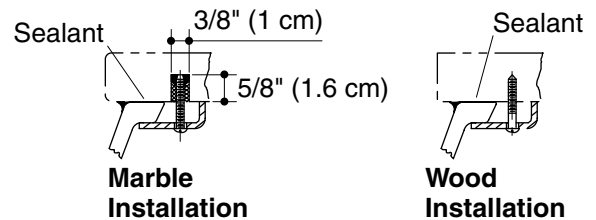
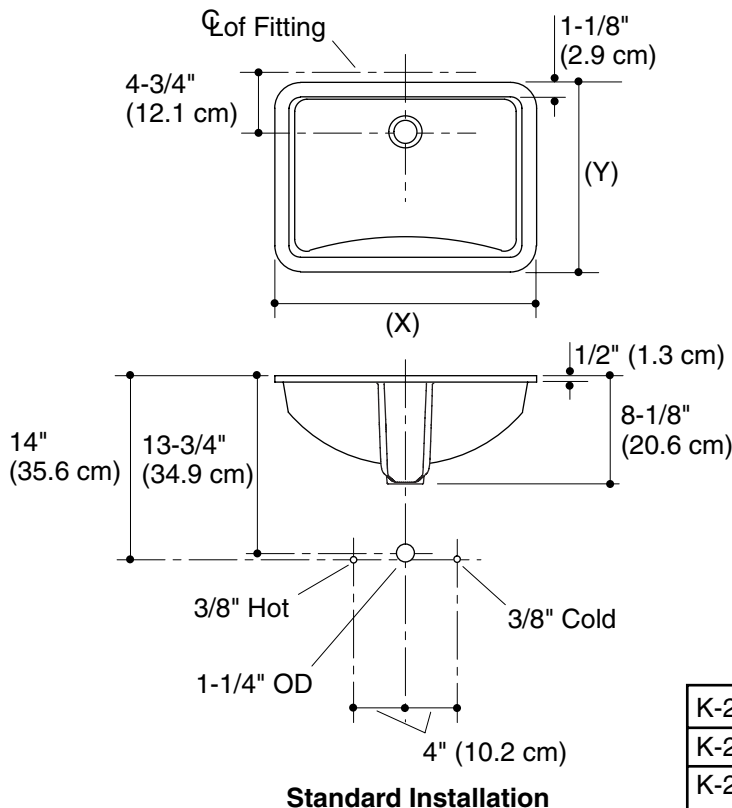
### Installation Notes

Install this product according to the installation guide.

Supplied basin clamp assemblies require 1" (2.5 cm) minimum countertop thickness. Installer must supply anchors for thinner countertops.

The product diagram is based on the K-8998 adjustable P-Trap with 1" (2.5 cm) of tailpiece exposed.

Fixture conforms to ASME Standard A112.19.2/CSA B45.1. All dimensions are nominal.



K-2214: (X)= 20-7/8" (53 cm), (Y)= 14-3/8" (36.5 cm)
K-2214-G: (X)= 20-7/8" (53 cm), (Y)= 14-3/8" (36.5 cm)
K-2215: (X)= 23-1/4" (59.1 cm), (Y)= 16-1/4" (41.3 cm)