



BUNN[®]
BREW BETTER, NOT BITTER[®]

VELOCITY[™] BREW

BUNN Velocity Brew[™] coffee brewers are different than other coffee makers. Unlike ordinary machines, they feature an internal hot water tank that keeps water at the right brewing temperature – so it's always ready to brew a perfect pot of coffee in 3 minutes.



STX

- Gourmet sprayhead for freshly ground coffee
- Brews 10 cups (50 oz) at a time
- Thermal carafe
- Color: Graphite black with stainless and silver accents



NHBX

- Brews 10 cups (50 oz) at a time
- Glass carafe
- Colors: Black or white, both with stainless accents
- High altitude models available



BTX

- Brews 10 cups (50 oz) at a time
- Thermal carafe
- Color: Black with stainless accents
- High altitude models available



BX

- Brews 10 cups (50 oz) at a time
- Glass carafe
- Colors: Black or white, both with stainless accents
- High altitude models available



My Café[®]

- Commercial grade pod brewer
- Brews 4 to 12 ounces of coffee or tea at a time
- Fast brews in about 30 seconds
- Color: Black
- High altitude models available



GRX

- Brews 10 cups (50 oz) at a time
- Glass carafe
- Colors: Black or white
- High altitude models available

For more information: Call 800-637-8606 or visit www.bunn.com

WHY BUNN® BREWS BETTER

VELOCITY BREW™

VS.

TYPICAL DRIP

Brews at 200°F, the right temperature for rich coffee flavor without bitterness.



Brews at an inconsistent temperature. If water's too cold, flavor can get left behind. If water's too hot, coffee can taste bitter.

Water travels quickly through our unique sprayhead – creating the turbulence needed to wet the grounds evenly and extract perfect flavor.



Drips water slowly over grounds, so there's not enough turbulence for even flavor extraction. Some grounds are over-extracted, making coffee taste bitter.


3-minute brew cycle, the right time for rich, smooth coffee that's never bitter.



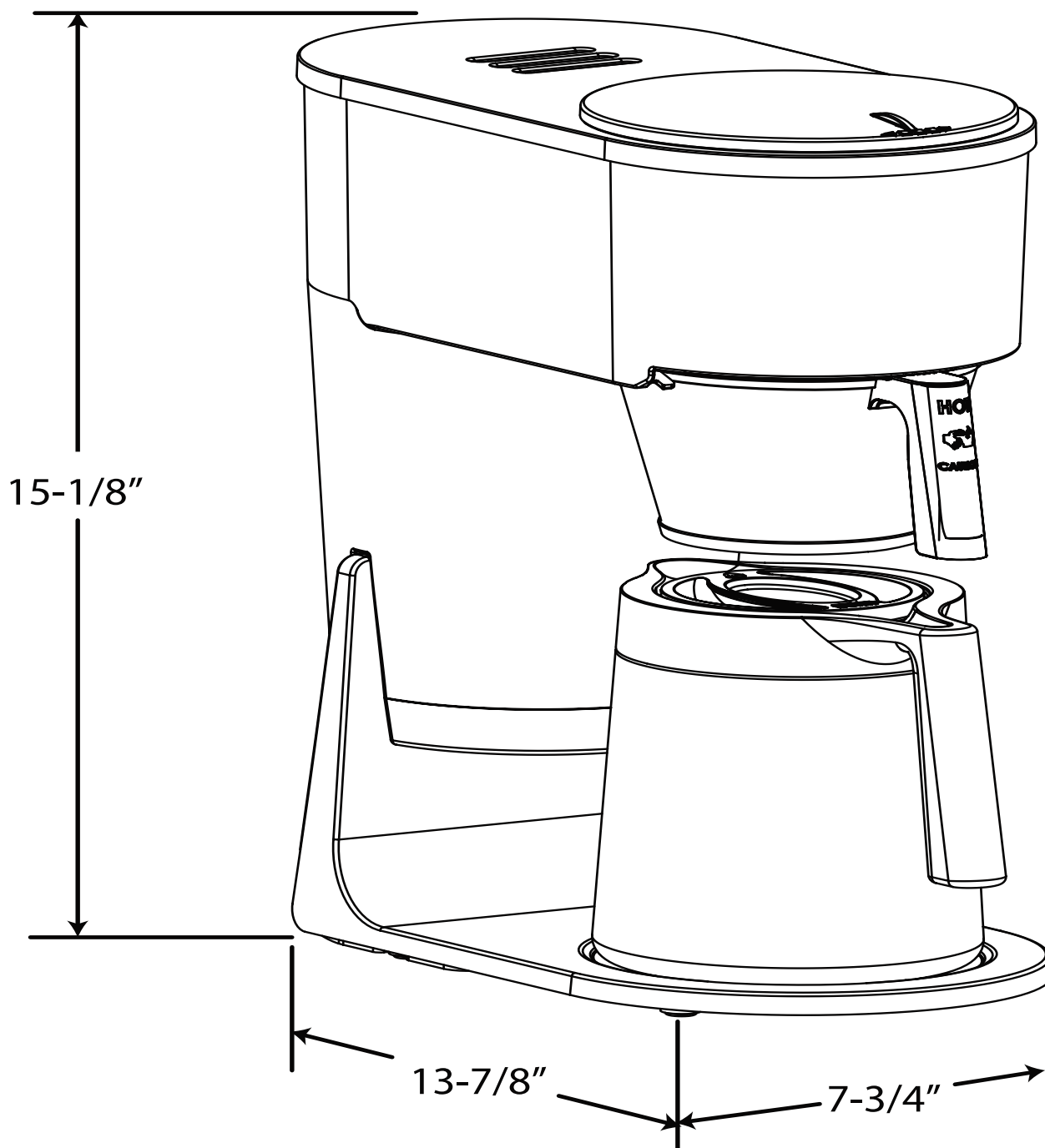
Heats water during the brew cycle, dripping it slowly onto grounds. The longer brew cycle makes coffee taste bitter.

It's our mission to help you brew, and enjoy, your best cup.

BUNN® *Dimensions & Specifications*

Model	Volts	Amps	Tank Heater Watts	Total Watts	Brewing Capacity	Shipping Weight	Agency Listing
STX (Black)	120	7	800	850	50 oz.(10 cups)	11 lbs. (4.9 kg)	

Electrical: Model has attached cordset and requires 2-wire grounded service rated 120V, single phase, 60 Hz.



Bunn-O-Matic® Corporation - 1400 Stevenson Drive Springfield, Illinois 62703 • 800-637-8606 • 217-529-6601 • Fax 217-529-6644 • www.bunn.com

BUNN® practices continuous product research and improvement. We reserve the right to change specifications and product design without notice. Such revisions do not entitle the buyer to corresponding changes, improvements, additions or replacements for previously purchased equipment.

All dimensions shown in inches.

8/10 © Bunn-O-Matic Corporation