

Product Information

Applicable products:	
Bath whirlpool with heater – drop-in, custom pump	K-1148-HD
Bath whirlpool with heater – drop-in, custom pump	K-1148-HH

Fixture*:	
Bathing well:	
Basin area, bottom	53" (1346 mm) x 26" (660 mm)
Basin area, top	65" (1651 mm) x 34" (864 mm)
Weight	79-1/4 lbs (35.9 kg)
To overflow:	
Water depth	15" (381 mm)
Capacity	78 gal (295.3 L)
* Approximate measurements for comparison only.	

Pump:	V	Hz	A	
1-speed	120	60	7.5	
Heater:	kW	V	Hz	A
	1.5	120	60	12.5

Included components:	
Cut-out template	114861-7

Required Electrical Service

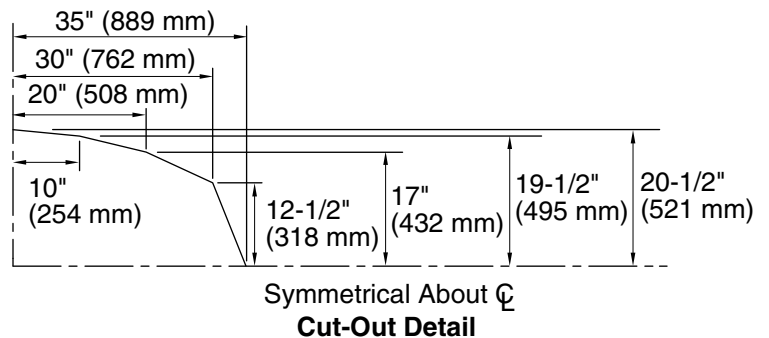
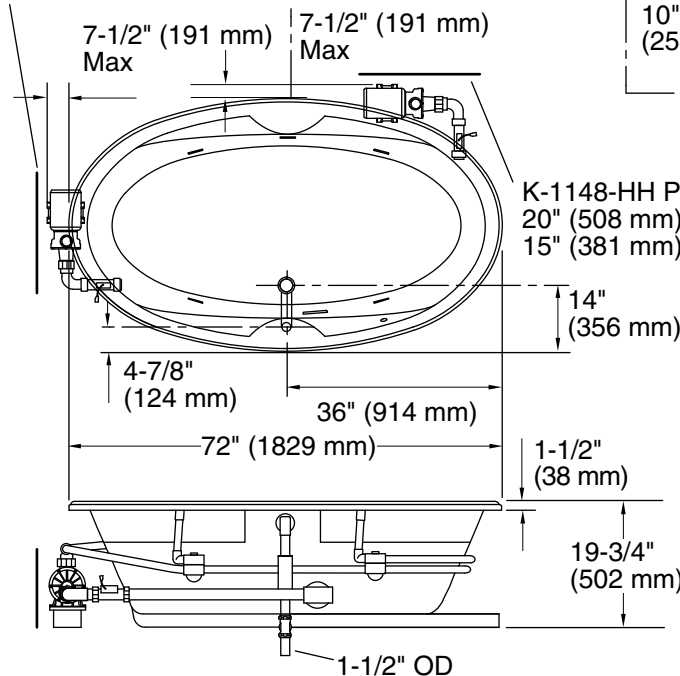
Dedicated circuit required, protected with Class A Ground-Fault Circuit-Interrupter (GFCI):	
Pump/control	120 V, 15 A, 60 Hz
Heater	120 V, 15 A, 60 Hz
Locate the outlet behind the whirlpool and within 24" (610 mm) of the pump.	

Installation Notes

Install this product according to the installation guide. Floor support under whirlpool must provide for a minimum of 36 lbs/square foot (176 kg/square meter) loading. Pump must be relocated to custom position at the time of installation. Provide adequate clearance. This fixture conforms to ANSI Standard Z124.1.2. All dimensions are nominal.

No change in measurements with drain shown. (K-11677 or K-11677-M)

K-1148-HD Pump/Control Access
20" (508 mm) W x
15" (381 mm) H Min



K-1148-HH Pump/Control Access
20" (508 mm) W x
15" (381 mm) H Min

