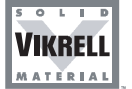




A KOHLER COMPANY

ENSEMBLE™

48" (121.9 cm) SHOWER RECEPTOR 72121100



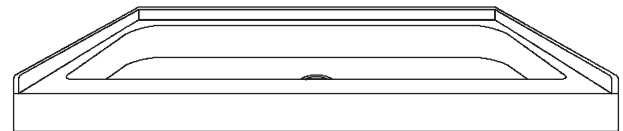
Features

- Compression molded from Sterling's exclusive solid VIKRELL™ material
- Available with tile or curve wall surrounds
- Lightly pebbled bottom surface for sure footing
- Durable high gloss finish
- 10 year consumer/3 year commercial limited warranty
- 48" (121.9 cm) x 34" (86.4 cm) x 5-1/2" (14 cm) receptor rough-in dimensions include nailing flange
- 48" (121.9 cm) x 34" (86.4 cm) x 4-1/2" (11.4 cm) receptor finished dimensions

Codes/Standards Applicable

Specified model meets or exceeds the following:

- ANSI Z124.2
- IAPMO/UPC
- CSA B45
- ASTM F462 Slip Resistance



Colors/Finishes

- 0: White
- Other: Refer to Price Book for additional colors/finishes

Specified Model

Model	Description	Colors/Finishes	
72121100	48" (121.9 cm) shower receptor	<input type="checkbox"/> 0 White	<input type="checkbox"/> Other_____

SterlingPlumbing.com

Visit us online for fixture color choices, detailed product information, color photos, installation instructions, care guides, and warranties. Sterling offers additional lines of plumbing products to complement the Sterling product you've chosen. Sign up for the Sterling monthly e-newsletter which showcases our latest product innovations. You may also call our Sterling Plumbing Answer Center from within the USA at 1-888-STERLING in addition to consulting with your local dealer. Sterling. Strong. Professional. Design.

ENSEMBLE™

Technical Information

Model	door maximum width	door maximum height
72121100	*44-5/8" (113.3 cm)	*NA
* Varies with alternative walls.		

Installation Notes

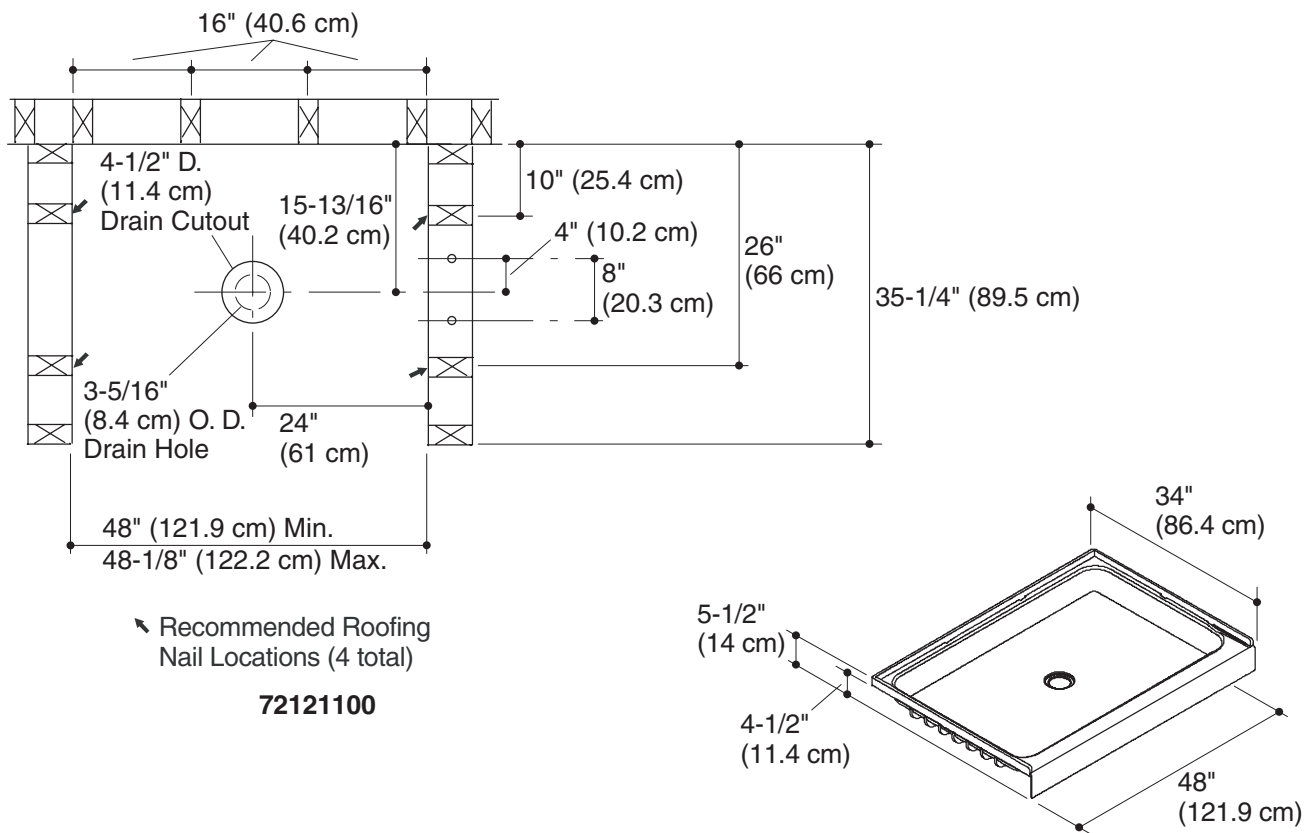
Install this product according to the installation guide.

Size the drain cutout to fit the drain assembly that will be used.

End stud positioning is critical if nailing-in flanges are to be used.

Double studding is recommended for pivot shower door installations.

Studs should be positioned roughly as shown for roofing nail installation.



Product Diagram