



CLASSIC-VIEW™ Storm/Screen Doors

INSTALLATION INSTRUCTIONS

Before You Get Started.....	Page 2
Installation Instructions.....	Pages 2-9
Warranties	Page 7
Closer Instructions	Pages 8-9
General Care and Maintenance.....	Page 10
Troubleshooting	Page 11

Visit our web site at www.larsondoors.com



NOTE: Larger parts may need to be ordered at the store.

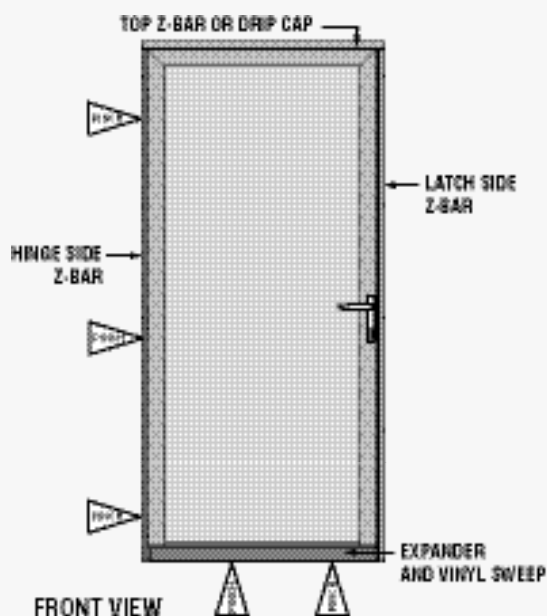
Congratulations! You've purchased a quality-built storm/screen door from Larson. Please take a moment to fill out and mail in your product warranty card for years of trouble-free service. Larson offers you one of the most liberal warranties in the industry (see page 6 for warranty information).

NOTE: Modification of door will void warranty.

Retain instruction booklet and sales receipt for future reference.

If you have any questions regarding the installation of your Larson storm door or need to order replacement parts, don't go back to the store, call our **Homeowner Helpline** at **1-888-483-3768**. Our staff of storm door experts are on hand to answer any questions you may have. Please have the following information on hand when you call: (1) Warranty Registration number—the number is on the decal located on the hinge z-bar (door must be open to view once installed). (2) Door model (3) Opening size of door (4) Color.

FIGURE 1



PARTS IDENTIFICATION

CAUTION: READ THE WARNING BELOW BEFORE INSTALLATION.

1. The door requires caution while installing and during its total operational life.
2. **The door is heavy and requires two people to lift and install on your home or business.**
3. Pinch points are indicated in the instructions by this symbol. Children should not be allowed to play with the door and should be made aware of the pinch points by the owner. Failure to properly instruct the user of this product could result in the loss of a finger or other injury.
4. Do not operate the storm door without closer(s) installed and adjusted to prevent door slamming.
5. Eye protection must be used during the installation to prevent injury from flying particles.
6. Do not modify or alter the installation and specified use of the door.
7. Read the complete installation instructions before proceeding with installation.

NOTE: Larson Manufacturing Company is not responsible for accidents and injury resulting from the use or installation of this product.

TOOLS NEEDED

1. Power drill with assorted bits
 - 7/8" spade bit (for models with surface-mount hardware)
2. Phillips head screwdriver, regular screwdriver
3. Hacksaw
4. Caulking gun with caulking (optional)
5. Tape measure
6. Square and level
7. Hammer
8. Pencil
9. Pliers
10. Saw horses
11. Small wood chisel

Larson recommends having another person help you install your Classic-View storm door. A cordless drill with a screw driver bit is recommended. Assembly may require shimming to fit existing opening (shims not included).

BEFORE YOU GET STARTED

- Verify opening size with size shown on the box label.
- Do not take protective tape off door until instructed to do so (only applies to select models).
- Make sure house door trim is securely nailed to support your new storm door.

1 Determine Left or Right Hinge Side

Your Larson storm door is REVERSA-HINGE™ meaning that the door is designed for either right hand or left hand hinge installation. Looking at your door opening from the outside, determine which side you want the hinge on. Turn your new door upside down to have the hinge on the opposite side.

IMPORTANT NOTICE: If you choose to have the storm door handle on the same side as your prime door hardware, you **MUST** verify that there will be **NO** interference between the two handles or hardware.

FIGURE 2

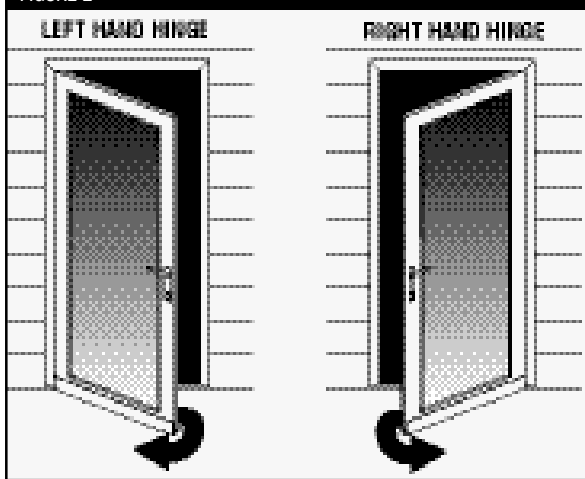
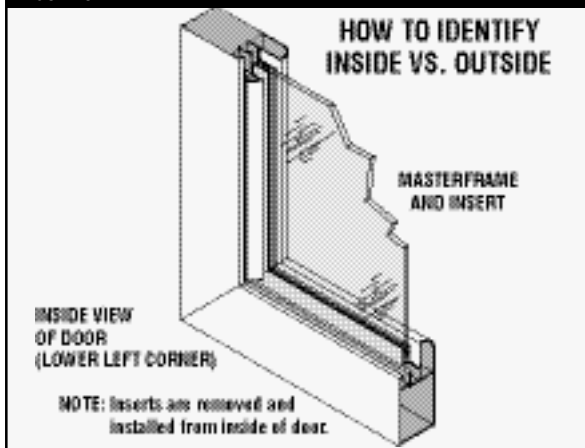


FIGURE 3



2 Install Hinge on Door

The “hinged Z-bar assembly” (or hinged door frame) is packaged unattached. It can be mounted to either side of the door.

Lay the door flat on saw horses (outer front face of door facing up). Place the “hinge Z-bar assembly” on the edge of the door as shown with each hinge leaf turned down (see Figure 4). Check to see that the aluminum Z-bar is orientated as shown in illustrations (Figure 6 for a left-hand hinged door, or Figure 7 for a right-hand hinged door).

Move “hinge Z-bar assembly” up or down until the top of the z-bar hangs over the top edge of the door 1/16”–1/8”. (See Figure 5) Mark the top hole of the top hinge and drill an 1/8” pilot hole. Fasten with one screw, using screw A or B depending on door thickness of model being installed. **The top end of the Z-bar MUST overhang the top of the door 1/16” to 1/8”.** The bottom end will be cut to length later.

Align each hinge leaf along the edge of the door, drill 1/8” pilot holes, and complete the attachment of each hinge to the door using screw A or B—again depending on the model.

NOTE: Hinged Z-bar must swing after securing hinges to the door. Rotate per Figure 4.

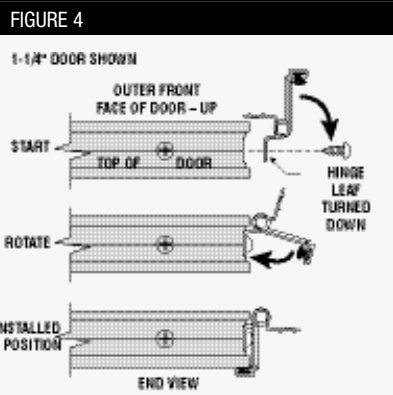
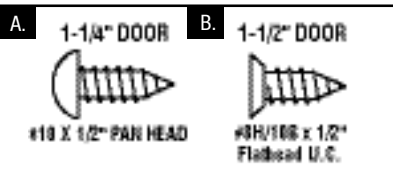


FIGURE 5

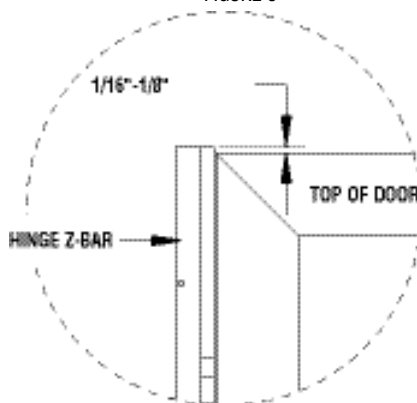


FIGURE 6

HINGE INSTALLATION

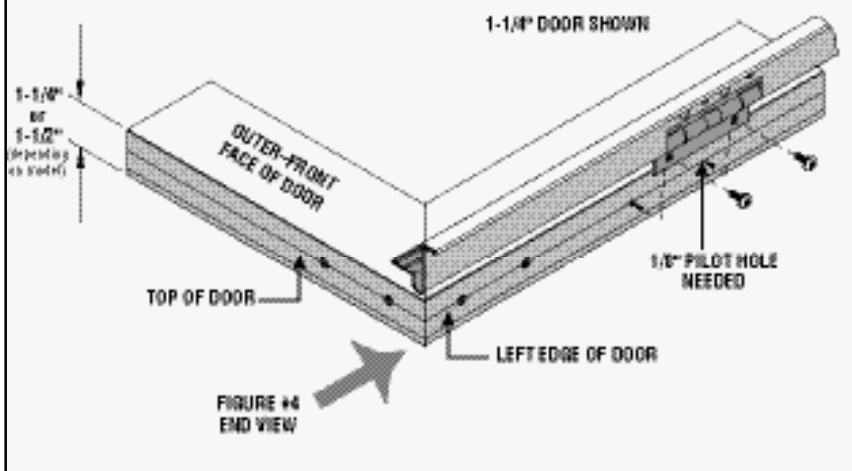


FIGURE 8

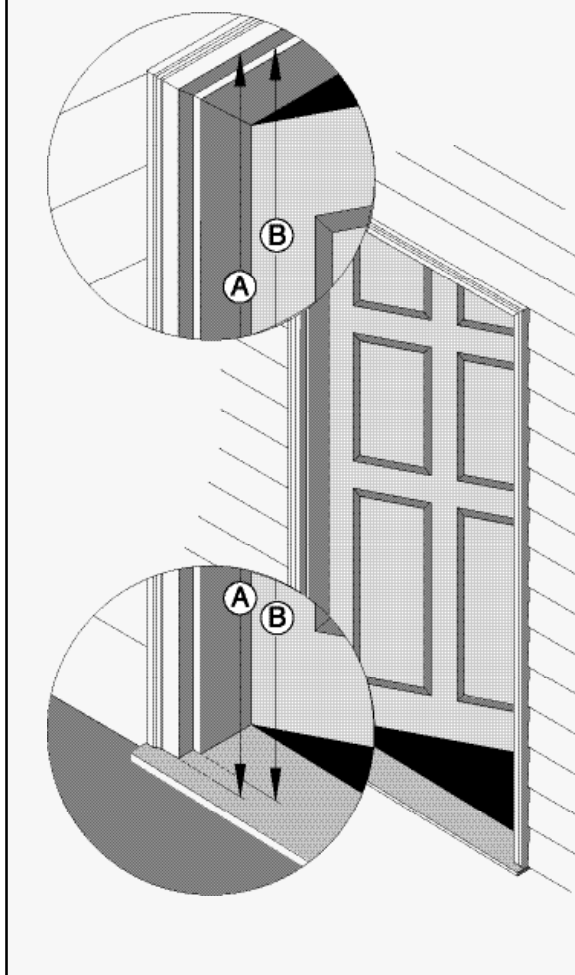
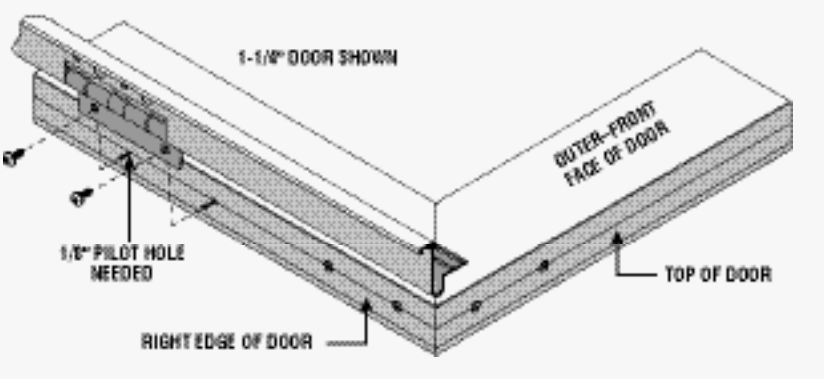


FIGURE 7

HINGE INSTALLATION



3 Measure the Opening

Facing the house from the outside, measure the height of the opening as illustrated in Figure 8. This measurement is taken from the top of the door opening (underside of the trim board) down to the bottom threshold.

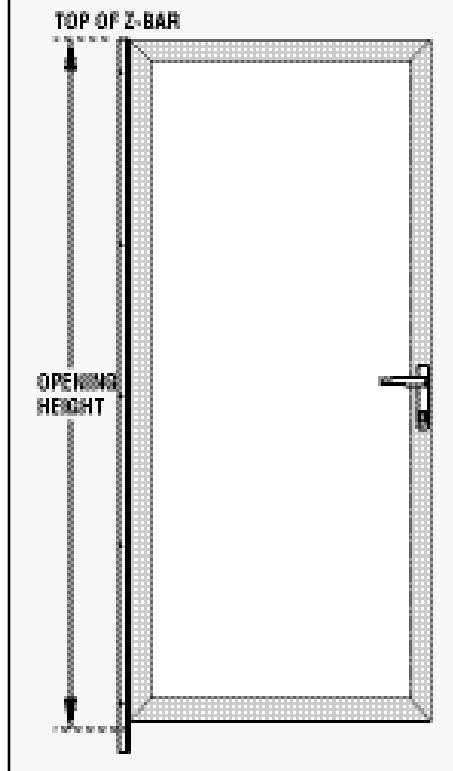
Take two measurements (A and B) as shown to determine the threshold angle to cut the Z-bar.

4 Cut Hinge-Side Z-Bar to Length

The top of the z-bar should be at the correct position—1/16 to 1/8" above the door. The bottom of the z-bar must be cut to the correct length (opening height), taking into account the angle of the threshold. See Figure 9.

Using the measurements taken in step 3, determine the angle to cut the z-bar. Transfer this measurement to the Z-bar, then make a cut 1/16" less than your measurement to allow room for top drip cap. Save the z-bar cut-off scrap for steps 6 and 9.

FIGURE 9



HINT:
Measure twice.
Cut once!

5 Install Expander Sweeps

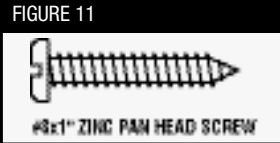
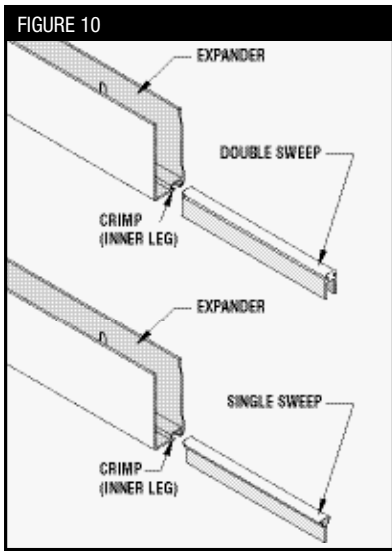
Remove the expander from the door. Some models come with a single sweep, others come with a double sweep not installed.

To install the sweep, simply thread the sweep into the channel of the expander. With the sweep installed, crimp both ends of the expander channel with a pliers. (Figure 10)

NOTE: For best results crimp the inner leg of the channel—only, at both ends of the expander.

FOR THE DOUBLE SWEEP ONLY: You must bend the rubber sweep out of the way while crimping.

Install expander on the door, but **do not** install screws until step 12.



6 Secure Door to Opening

Place the door in the opening with the hinge-side Z-bar tight against the door trim or wood frame. Temporarily install just two of the painted #8 x 1 inch pan head screws (Figure 11) on the front of the hinge-side Z-bar. Install one screw next to the top hinge and one next to the bottom hinge. Be sure not to over tighten the screws and crush down the Z-bar.

Set the cut-off scrap piece of Z-bar in place between the door and up against the wood trim on the latch side of the door as shown in Figure 12.

From the outside of the house with the door closed, check the distance between the side of your Larson storm door and the scrap Z-bar. If this distance is greater than 1/4 inch, a wood spacer can be placed between the hinge-side or latch-side Z-bar and the wood jamb (Figure 13).

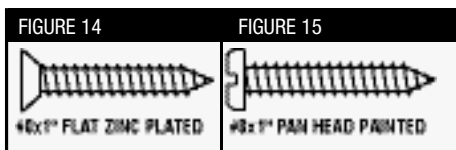
If a wood spacer is needed, remove the door, add the spacer and reinstall. Spacer thickness should not exceed 1/4 inch and longer screws should be used to properly secure the door to the jamb. (A wood spacer can also be used on the latch side Z-bar.)

NOTE: Wood spacers and longer screws are not included.

7 Secure Hinge-Side Z-Bar

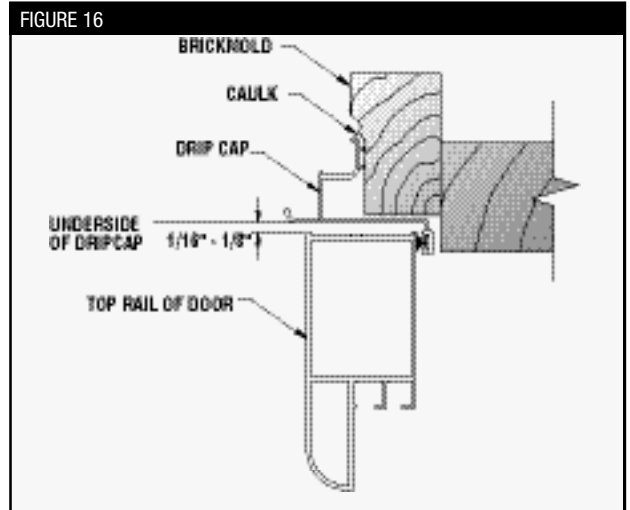
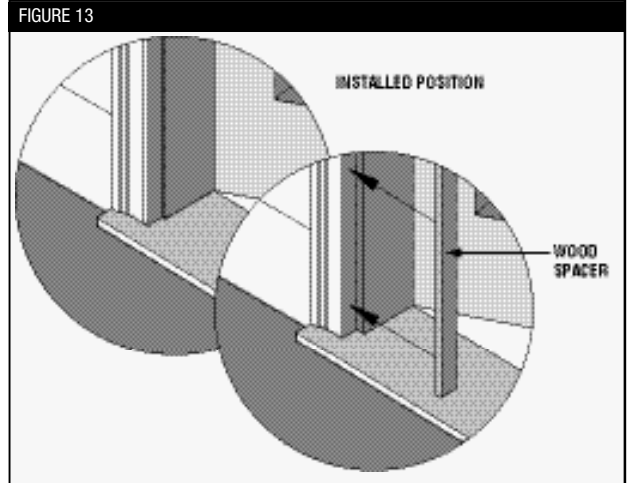
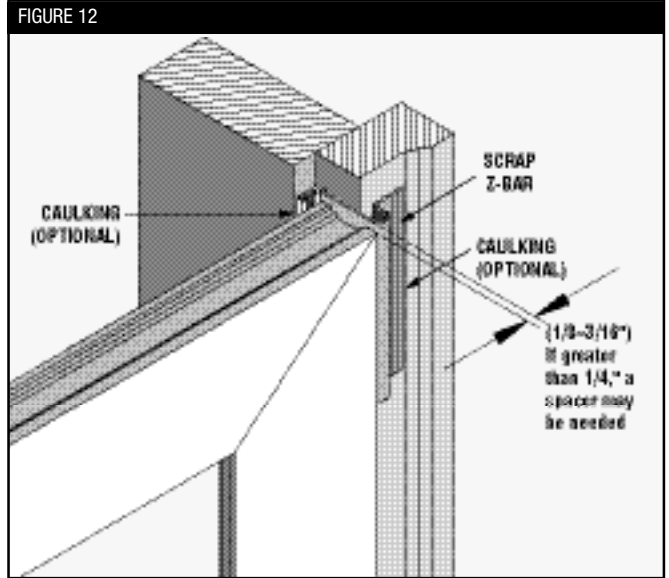
With the door properly fit in the opening, open the door to expose the hinges. You will see two (2) pre-punched holes at each hinge plate. Using eight (8) #8 x 1 inch flat head screws (Figure 14), attach each hinge plate to the wood jamb. Screw heads must be flush with the hinge surface.

Install the remaining #8 x 1 inch painted pan head screws (Figure 15) in the outside of the hinge-side Z-bar.



8 Install the Drip Cap

The drip cap goes above the door and z-bars. Place the top drip cap into position as shown in Figure 16. Close the door. From outside the door, the gap between the top of the door and the drip cap should be 1/16 inch to 1/8 inch as shown in Figure 16. Attach the drip cap with #8 x 1 inch painted pan head screws provided.



9 Install Latch and Strike Hardware

Refer to separate instructions packaged in the hardware box.
***CAUTION: Be sure to install storm door hardware at a height that will not interfere with the prime door hardware.**
***Retain the parts list for future reference.**

NOTE: you will only use (1 of 2) latch side instructions in step 10 depending on your door model.

10a Install Latch Side Z-Bar (FOR MODELS WITH SURFACE-MOUNT HARDWARE.)

NOTE: Surface mount models do not have slots routed in the door frame for hardware.

Measure and cut latch side z-bar using same method as outlined in step 4. Position the latch z-bar (sliding it left or right) to allow 1/8" gap between door and latch side z-bar. Fasten using #8x1" painted panhead screws (Figure 17).

10b Install Latch Side Z-Bar (FOR STANDARD SIZE MODELS WITH MORTISE HARDWARE.)

Top: Determine which end of the Z-bar is top and mark it with a piece of tape.

Bottom Cut: Measure down from the underside of the installed drip cap (Figure 16) to the top of the door threshold. Using this measurement, measure down from the top of the Z-bar. Cut the Z-bar to match the slope of the sill. (Refer to steps 3 and 4). Mark a line around the bottom. Cut the Z-bar to length (Figure 18).

Set the Z-bar in place between the door and the wood jamb. Allow a 3/16" gap between the door and the latch-side Z-bar. Using #8x1" painted pan head screws, attach the latch-side Z-bar to the wood jamb using the Z-bar's pre-drilled holes as a guide. Do not over-tighten screws.

11 Seal Frame with Caulking (optional)

Although not always necessary, you can apply caulking behind the Z-bars (latch, hinge, and top), or along front edge of Z-bar (Figures 12 & 16).

12 Adjust the Bottom Expander

Adjust the bottom expander so that the vinyl sweeps touch the door threshold. The slotted holes in the expander should be located on the inside of the door. Centrally locate the two #6x3/8" pan head screws (Figure 19) in the slot to allow for future adjustments.

Drill 3/32" diameter pilot holes for the screws, being careful not to drill all the way through to the front face of the door.

FIGURE 17

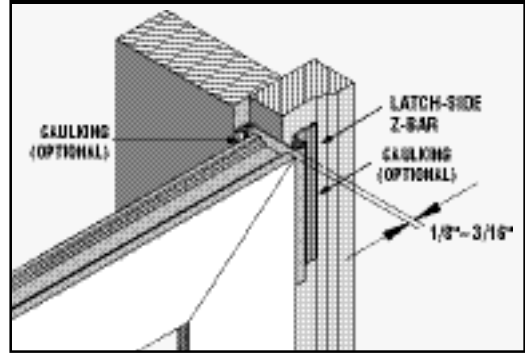


FIGURE 18

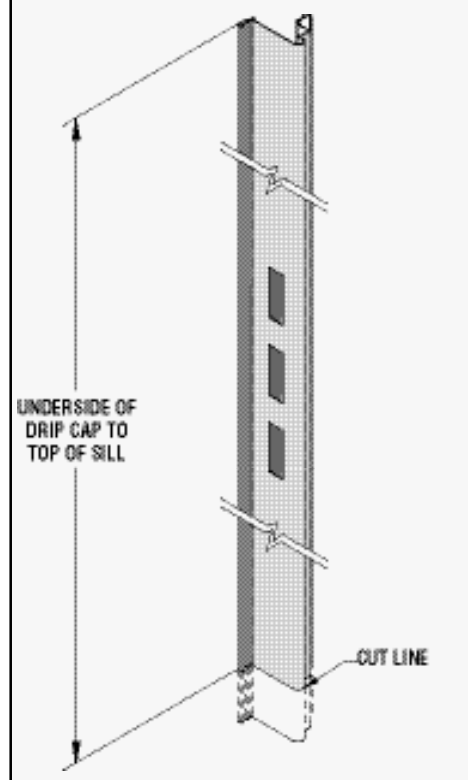


FIGURE 19



REMOVE ALL PROTECTIVE TAPE FROM THE DOOR FRAME NOW.

13a Retainer Installation/Removal

INSTALLATION

Your door is shipped with the screen and glass inserts in the window opening. After the door is installed either the screen or glass is held in place by plastic retainer strips. To install the retainers, start one end of the retainer into the track at the top or bottom of the window and push retainer into the track as shown. Continue to snap retainer into place from that end (moving toward the opposite end in increments of 4–5"). At the end, you will hear a "snap" as the last portion of the retainer goes in (Figure 20A).

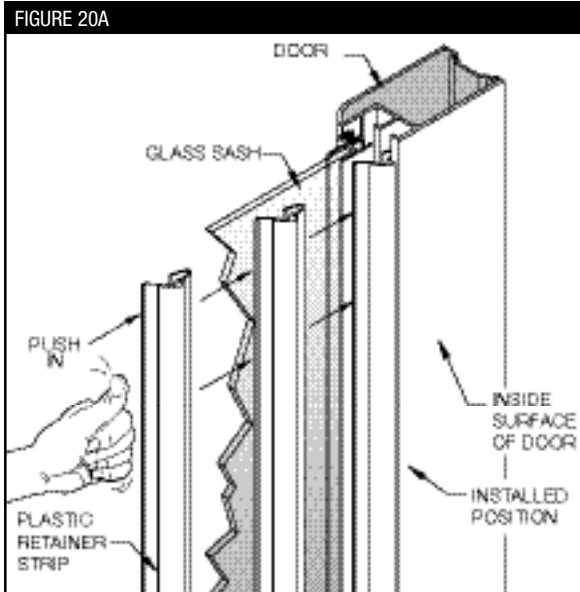
NOTE: Make sure the print on the retainer faces you during installation

NOTE: For tight retainers, a bar of soap can be used to lubricate before installation.

REMOVAL

Place large flat-nose screwdriver blade in groove next to door frame (approximately 1/2" from top or bottom of window). Tilt screwdriver at slight angle, tipping handle toward door frame, then tap end of screwdriver—"popping" out end of retainer. Grasp retainer and remove (Figure 20B).

FIGURE 20A



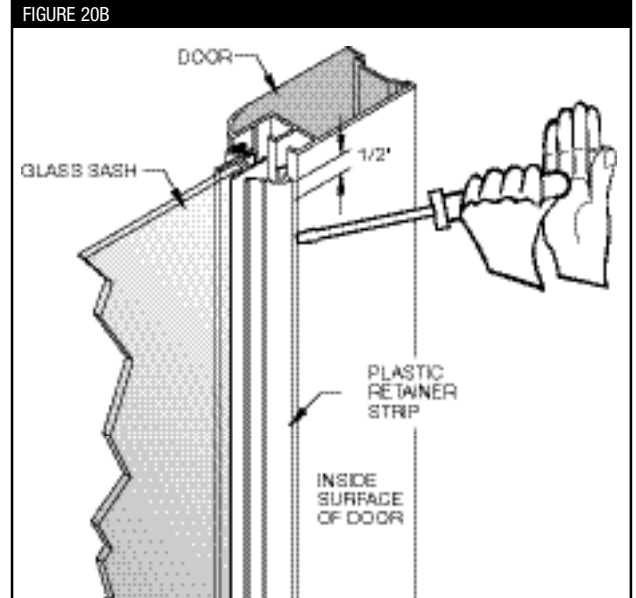
ATTENTION:

Glass insert will be held tight by vinyl retainer strips when installed correctly.

CAUTION!

If glass insert is loose—vinyl retainer strips are **NOT** installed correctly. Remove retainer strips and re-install them per the instructions.

FIGURE 20B



13b Glass and Screen Sash Removal: Self-Storing Models

STANDARD TOP VENTILATION (Figure 21)

Screen in Top Position

1. Remove operating insert from door by sliding sash all the way to the bottom (to clear handle) and then tilt out.
2. Remove stationary insert in the same manner as step one.
CAUTION: Screen can slide downward when glass sash is being removed.
3. Slide screen sash to bottom and tilt outward to remove.
4. Reverse above steps to install glass and screen sashes.

OPTIONAL BOTTOM VENTILATION (Figure 22)

Screen in Bottom Position

1. From a location below the handle, insert the stationary insert tilt barrels into the outer track and slide to the top.
2. Position screen sash below glass, with tilt barrels down and screen spline facing inside of door. Allow stationary insert to rest on top of screen.
3. Place operating insert in the inner track. **NOTE:** Operating insert has a ledge that extends from the bottom to aid in operation.

FIGURE 21

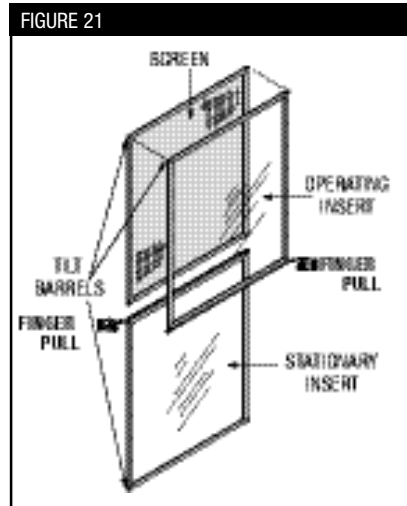
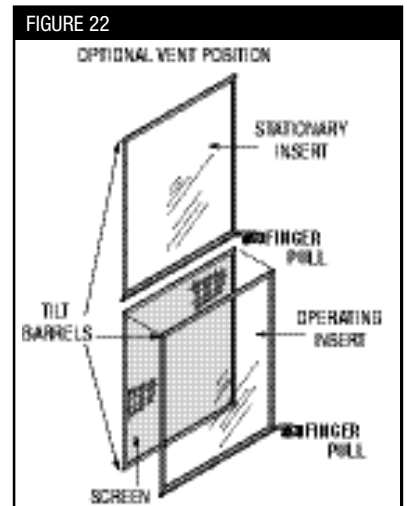


FIGURE 22



14 Install Screw Cap Covers

Larson has 2 different types of screw covers. See Figure 23 or 24 to determine which type you have. Refer to the below instructions for further detail.

1. After the door is installed, apply the drip cap screw cover. Cut screw cover to correct length if needed using a scissors or a tin snip. Attach screw cover per illustration. Starting at one end, snap the cover on working your way towards the other end.
2. Cut the latch and hinge z-bar screw covers to length—matching the z-bar lengths respectively.
3. Attach the latch and hinge z-bar screw covers as described in step #1.

***NOTE:**
Some models do NOT come with screw covers!

FIGURE 23

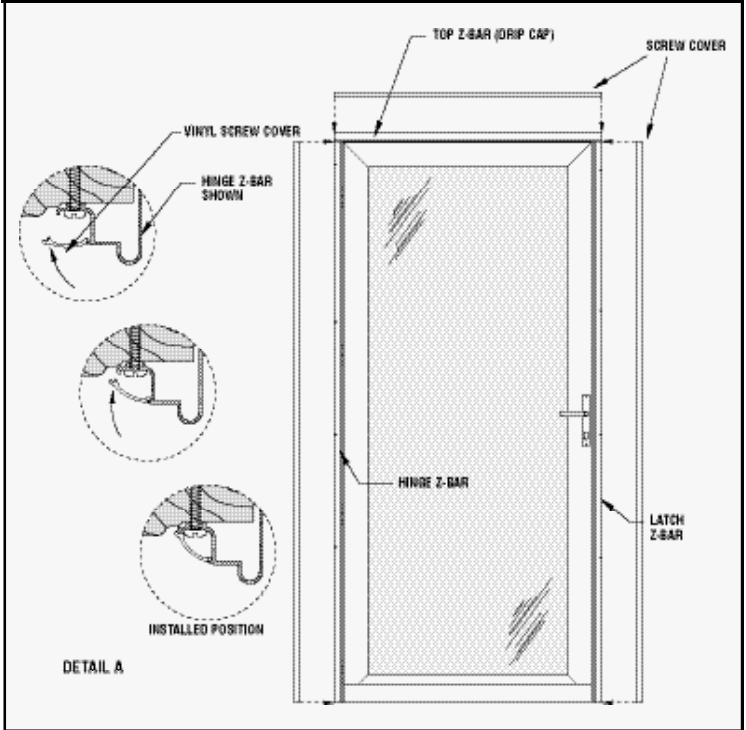
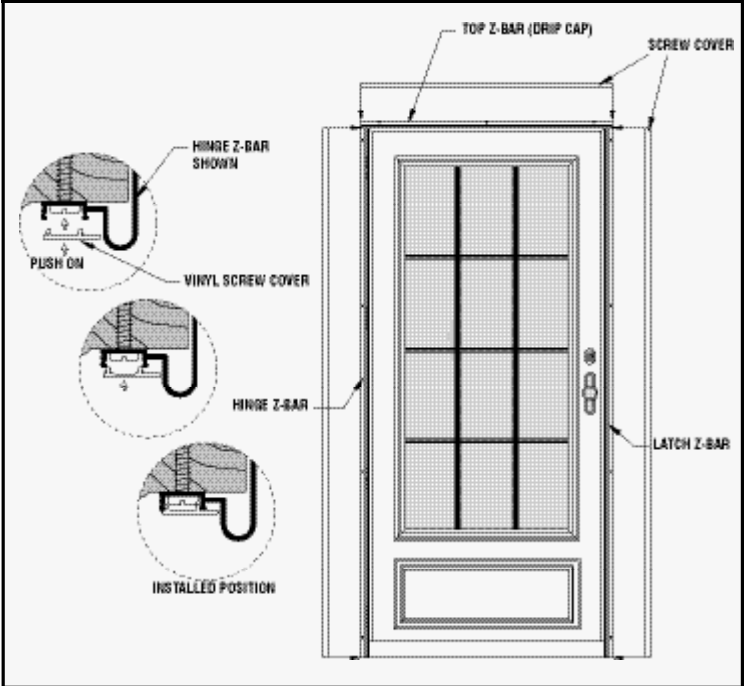


FIGURE 24



	<h2>Larson Storm Door Warranties</h2>
CLASSIC-VIEW™ <i>Limited Lifetime Warranty</i>	During life of door, new door at no charge.
HARDWARE <i>1-Year Warranty</i>	Hardware warranty is 1 year, covering workmanship and mechanical parts (brass finish is not covered under the warranty). Brass is like fine silver, it needs occasional maintenance. To maintain your brass finish, see the “General Care and Maintenance” section on page 10.

STORM DOOR WARRANTY LIMITATIONS: Modification of door will void warranty. Screen damage, glass breakage, or wind damage is not covered under warranty.

In order to obtain performance under these warranties, the original owner shall do the following:

1. Send in the warranty registration card within 30 days following purchase.
2. Notify authorized dealer of defect, with proof of purchase.



Classic-View™ Series Storm/Screen Doors

CLOSER INSTRUCTIONS

1 Closer Installation

NOTE: Be sure door opens and closes freely before installing the closer. Some models have two closers and others have one closer.

CLOSER ASSEMBLY PREPARATION

1. Slide hold-open washer onto closer rod as shown. Pull rod out of closer so that there is a 1/4" gap per Figure 25 (insert small screwdriver in rod hole to provide pulling grip). Position washer behind flanges and against the closer. **Remove screwdriver.** This will give proper tension for installation. (Do not change until installation is complete.) See Figure 25.
2. Assemble the closers as shown in Figure 27. Attach **front** hole in closer to door bracket (**long** connecting pin). Attach closer rod to side jamb bracket (**short** connecting pin) with **open** side of jamb bracket toward storm door (see arrow on bracket).
3. Close and latch door.

INSTALLATION: ONE CLOSER MODELS

1. To install the closer, hold closer assembly 1-1/2" down from top of door and hold jamb bracket 1/4" back from storm door. Mark jamb bracket holes and two holes in door bracket.
2. Fasten jamb bracket to jamb with four #10x1 1/2" screws (see Figure 26). The **open** side of the jamb bracket should be toward the storm door (see arrow on bracket).
3. **Close and latch the door.** Hold the closer and door bracket level and mark the location for the insertion of the door bracket screws. Drill 1/8" starter holes. **CAUTION: Do not drill through the outside of door.** Install two #10x1/2" screws in bracket.
4. To hold the door open: Open door. Slide hold-open washer over flanges toward cylinder on closer.

INSTALLATION: TWO CLOSER MODELS

1. To install the top closer, hold closer assembly 1-1/2" down from top of door and hold jamb bracket 1/4" back from storm door. Mark jamb bracket holes and two holes in door bracket.
2. Fasten jamb bracket to jamb with four #12x1" screws (see Figure 27). The **open** side of the jamb bracket should be toward the storm door (see arrow on bracket).
3. **Close and latch the door.** Hold the closer and door bracket level and mark the location for the insertion of the door bracket screws. Drill 1/8" starter holes. **CAUTION: Do not drill through the outside of door.** Install two #10x1/2" screws in bracket.
4. To install **bottom** closer, hold assembly level 1-1/2" from bottom of door and hold jamb bracket 1/4" from storm door. Mark and attach as shown in steps 1, 2, and 3. **NOTE:** Bottom closer may need to be applied over the door expander in some cases.
5. To hold the door open: Open door. Slide hold-open washer over flanges toward cylinder on closer.

FIGURE 25

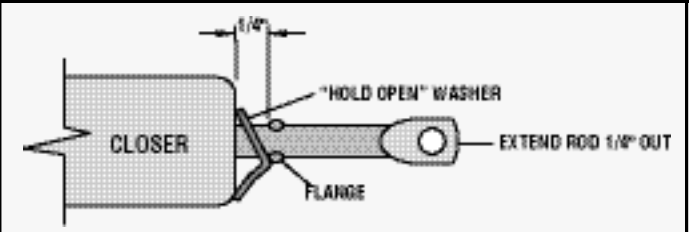


FIGURE 26

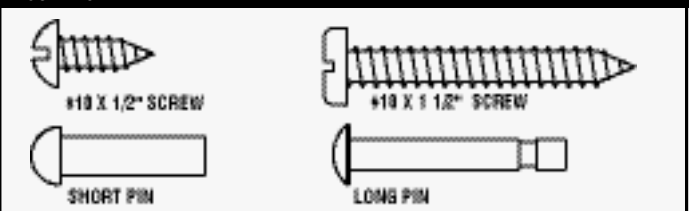
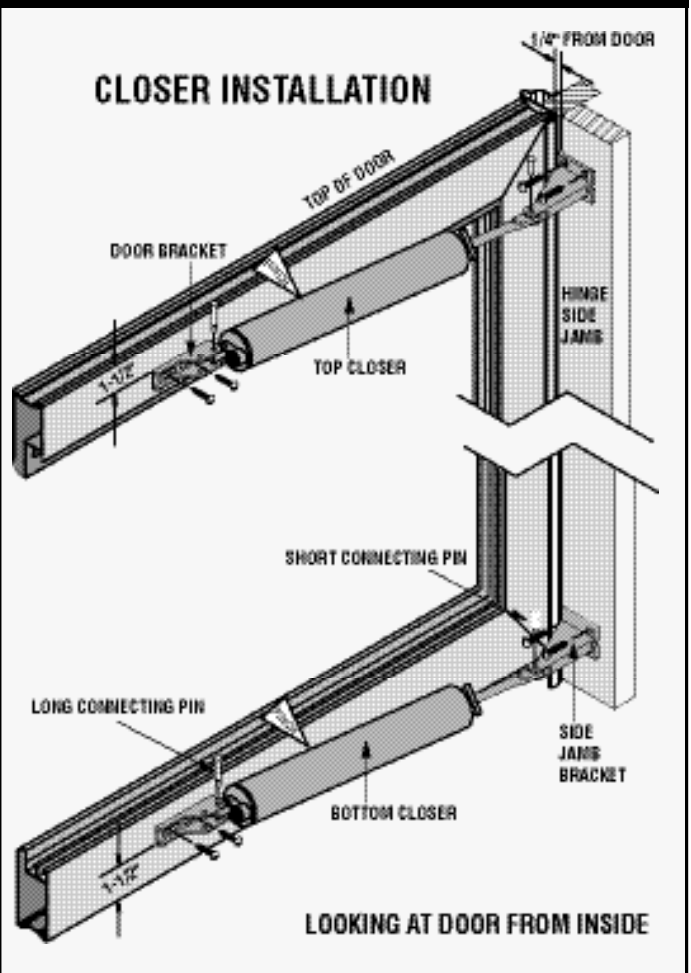


FIGURE 27



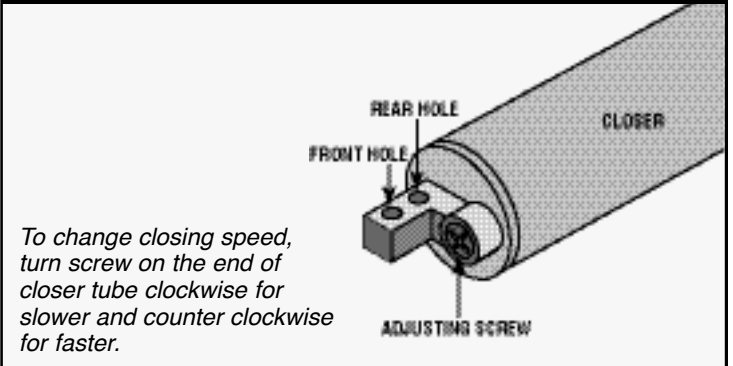
2 Controlled Latching Power Feature

Installed as directed, with door bracket connected to the FRONT hole of closer, the door will accelerate its closing speed in the last few inches of travel. This attachment position is recommended when the glass storm panel is in place.

If a smoother, quieter closing action is desired, hold door open about 8" with hold-open washer. Move in from door bracket and relocate in closer REAR hole. This position is normally used when the screen panel is in place.

On two closer models, adjust each closer individually (with the other closer disconnected from the door) to the closing speed sufficient to latch the door. The closing speed for each closer should be the same.

FIGURE 28



To change closing speed, turn screw on the end of closer tube clockwise for slower and counter clockwise for faster.

See Troubleshooting, Symptom E for more adjustment information.

3 Wind Safety Chain Installation

NOTE: Some models do NOT come with a safety chain.

To attach the safety chain, position the header bracket on the head jamb 18" in from the hinge side of the door frame and 1-1/2" back from the front of the jamb (Figure 29). Mount this bracket at approximately 45 degrees. Mark the location of the holes and drill two pilot holes with a 1/8" bit about 3/8" deep. Mount the header bracket with two #12x1" round head screws.

Attach the chain to the outer hole using a long connecting pin (Figure 30).

To attach the hold-up spring, close the door and thread one end of the spring onto the lowest link of the chain (Figure 31). It will be necessary to make a small notch in the vinyl sleeve of the chain.

Swing wind chain up towards hinge side of door and attach hold-up spring to head jamb with doublehead nail about 3" in from side jamb (Figure 31). Hold-up spring should not be stretched over 1/4" when door is closed.

FIGURE 29

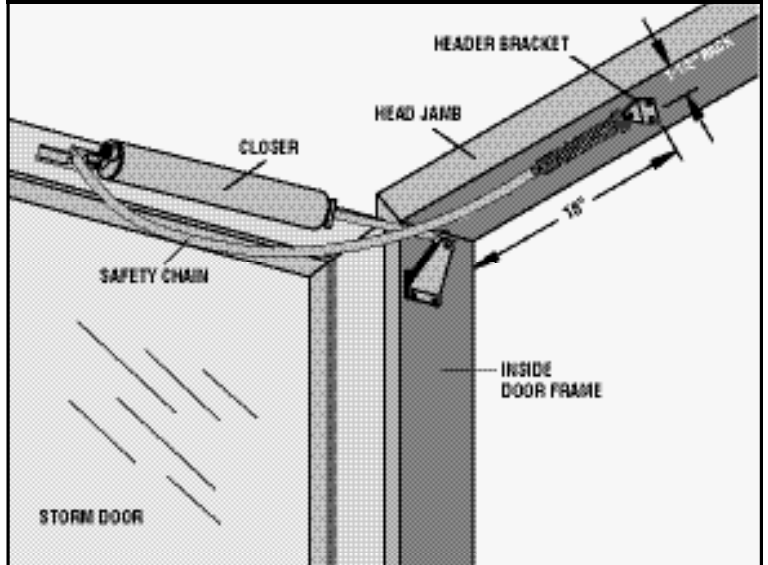


FIGURE 30

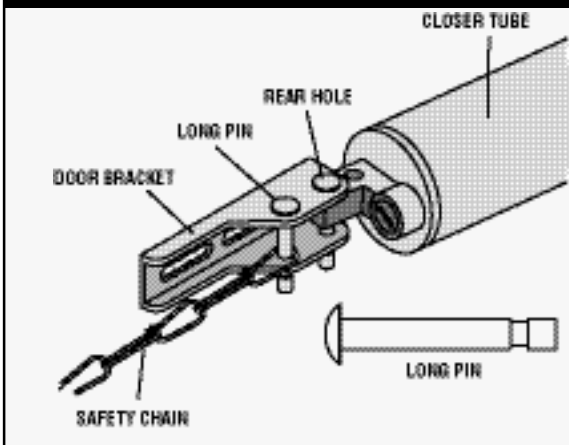
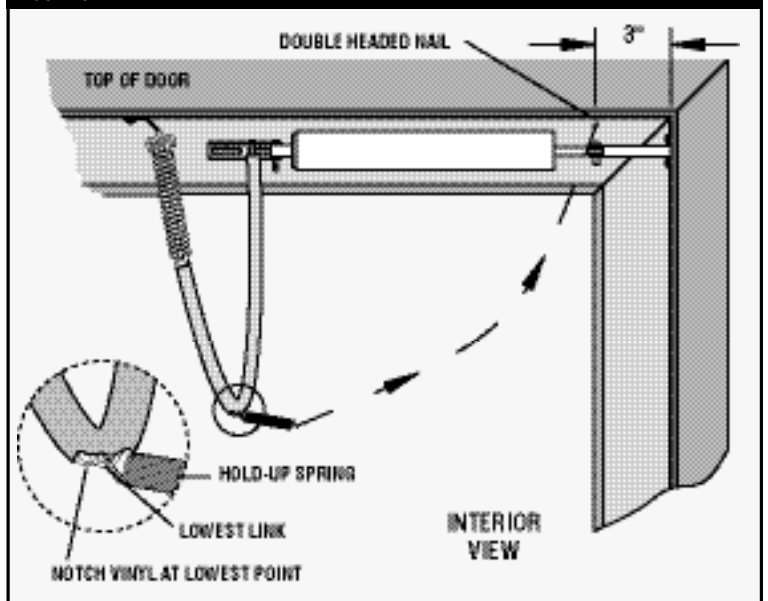


FIGURE 31



Storm Door General Care and Maintenance

Keep this document along with your Installation Instructions for future reference.

Glass	Wash glass using a household glass cleaner, or a warm water/mild detergent mixture, and a soft cloth or paper towel.
Brass Inlaid Glass	Use only warm water to clean the glass portion of brass inlaid glass. Do NOT use household glass cleaners on brass inlaid glass. Many cleaners containing ammonia will expedite tarnishing of brass. For brass cleaning, see the “Brass Products” section.
Door Finish	Aluminum Skin —Non-abrasive paste wax may be used on your door’s outer surface to help keep the finish looking new. (Follow directions on the product’s label.) Vinyl Skin —Wash using a warm water/mild detergent mixture, and a soft cloth.
Hinges/Hardware	Hinges and door hardware may require occasional lubrication. A silicone spray lubricant is recommended.
Brass-tone (Anodized) Expander	Wash expander using a warm water/mild detergent mixture, and a soft cloth. (Do not use a brass cleaner or steel wool. This is NOT a real brass product.)

Brass Products (Finish)

A number of Larson storm door models incorporate high quality “real” brass component parts. As with all brass products, tarnishing will occur. Without proper care, brass can become stained so heavily that cleaning cannot totally remove the stain. In extreme cases of neglect, pitting can occur.

Larson locksets and deadbolts have a clear coat finish. Clear coat finishes will protect against tarnishing. If the clear coat finish is damaged, tarnishing will occur. Larson brass, inlaid in the glass, does not have a clear coat finish. It requires periodic cleaning and polishing to maintain the shiny brass appearance. Should tarnishing occur in either case, the shiny brass finish can be restored as follows:

Brass Inlaid Glass Inserts

Clean and polish as directed below every two to three weeks when brass is used in outdoor applications. Four to five week intervals are recommended for indoor applications.

• For normal cleaning situations, including mild tarnishing:

1. Apply small amounts of brass cleaner (i.e. Brasso, Tarni-Shield) with a clean soft cotton cloth per manufacturer’s directions.
2. Be careful not to allow excess cleaner to be deposited on the glass surface.
3. Do not allow cleaner to “cake” between edges of brass and the glass surface.
4. Should “caking” occur, use a toothbrush or similar nylon, stiff bristle brush to gently loosen and remove excess material.

• For solder joints and heavily tarnished brass:

1. Buff lightly with #0000 size steel wool until bright brass finish returns. Use small pieces of steel wool, so that “wool overhang” will not scratch the glass surface.
Note: Heavily tarnished brass will require more buffing pressure than the softer solder joint material.
2. Clean the brass, applying small amounts of brass cleaner per manufacturer’s instructions as described above.

Brass Locksets, Deadbolts, Name Plates

• Cleaning

1. Wash brass hardware using a warm water/mild detergent mixture, and a soft cloth.
Do not use abrasive cleaners or cloths as they may damage the clear coat finish.
2. Apply non-abrasive paste wax on the brass hardware to help restore it’s bright finish.

• Refinishing (if clear coat is damaged and tarnishing has occurred)

1. Remove the tarnished hardware from the door.
2. Remove damaged clear coat. This can be done by using a paint stripper, or by lightly rubbing the hardware using #0000 steel wool. Follow the manufacturer’s instructions when using a stripper.
Note: If refinishing keyed hardware, cover the key opening with masking tape to keep out stripper or steel wool particles.
3. Once the clear coat is removed, continue to lightly rub with #0000 steel wool over tarnished areas until the bright brass finish returns.
4. Clean the brass using a brass cleaner (i.e. Brasso, Tarni-Shield) per the manufacturer’s directions.
5. Apply a “new” clear coat finish. For best results, a clear lacquer spray is recommended.
The lacquer can be purchased at most hardware stores and should be applied per label directions.
Note: If refinishing keyed hardware, cover the key opening with masking tape when applying the lacquer finish (to protect the locking mechanism from gumming up with lacquer).
6. Reinstall the hardware on the door.

Questions? Call the Larson Homeowner Helpline at 1-888-483-3768.

LARSON CLASSIC-VIEW™ TROUBLESHOOTING

	SYMPTOM	POSSIBLE CAUSE	SOLUTION
A	Door binding.	Hinge to Jamb screws are too tight.	Back off screws 1/4 of a turn.
		Door opening out of square.	Square up opening.
		Expander dragging on threshold.	Raise expander so that bottom of sweeps only touch top of threshold.
		Hinge z-bar is bent.	Replace.
B	Door squeaking when opening.	Hinge to Jamb screws are too tight.	Back off screws 1/4 of a turn.
		Door opening is out of square.	Square up opening.
		New hinges are tight.	Lubricate with 3-in-1 oil, cooking oil, or a silicone spray lubricant.
		Hinges rubbing against wood jamb.	Chisel wood out from under individual hinge. Use a utility knife.
C	Sash retainers fall out.	Warped or deformed.	Replace. Call 1-888-483-3768
		Improper installation.	With retainer strips removed, center glass or screen assembly in the opening. To install the retainers, start from the top or the bottom and continue to snap it into place from that end. Refer to the picture in the instruction manual.
D	Door leaking.	Screen in position for top ventilation. (Self-Storing models)	Move screen to bottom ventilation.
		Drainage holes blocked.	Inspect drainage holes located on outside of door below window.
E	Door not closing (slowly or not at all).	Unpainted portion of closer rod extended beyond 1/16"	Readjust door bracket to allow only 1/16" or less of the unpainted portion of closer rod showing. To double check: Close door, measure distance from center of hole in closer rod to the center of the OUTER hole on the closer itself—distance should be: (12-3/4" for a V150 closer) and (12-11/16" for a V920 closer)
		Closer speed improperly adjusted.	Recheck instruction manual for proper closer installation. Proceed by removing the closer adjusting screw from the closer. Fully open door and allow it to close (door should slam shut). Reinstall closer adjusting screw allowing only 1 or 2 threads of the screw to be turned in. Fully open door and allow the door to close. Adjust the screw 1/4 to 1/2 turn to achieve the desired closing speed sufficient to latch door. NOTE: On two closer models adjust each closer individually (with the other closer being disconnected from the door); the closing speed should be the same for each closer). If more latching force is desired, the jamb bracket may be moved up to 1" away from the door (rather than the recommended 1/4"). NOTE: moving the jamb bracket further from the door reduces the door opening.
		Air pressure between prime door and storm door (back pressure being created).	Raise expander or leave window open to allow air to escape.

Aluminum doors must have the surface scrubbed with steel wool, sand paper (very fine grit), or a ScotchBrite pad to remove the sheen (gloss), then cleaned with a solvent to remove any grease or oils. Apply an epoxy primer. Top coat with a premium grade, solvent-based acrylic lacquer or solvent-based enamel paint. For best results, have it painted at a professional body shop. Only paint finishes applied by Larson Manufacturing are covered under the company's warranty.

