



WALK IN BATHS

Toll Free 1-800-480-6850

[www.ellasbubbles.com](http://www.ellasbubbles.com)

Deluxe - Elite - Royal - Petite - Companion

*Luxury Walk In Baths*



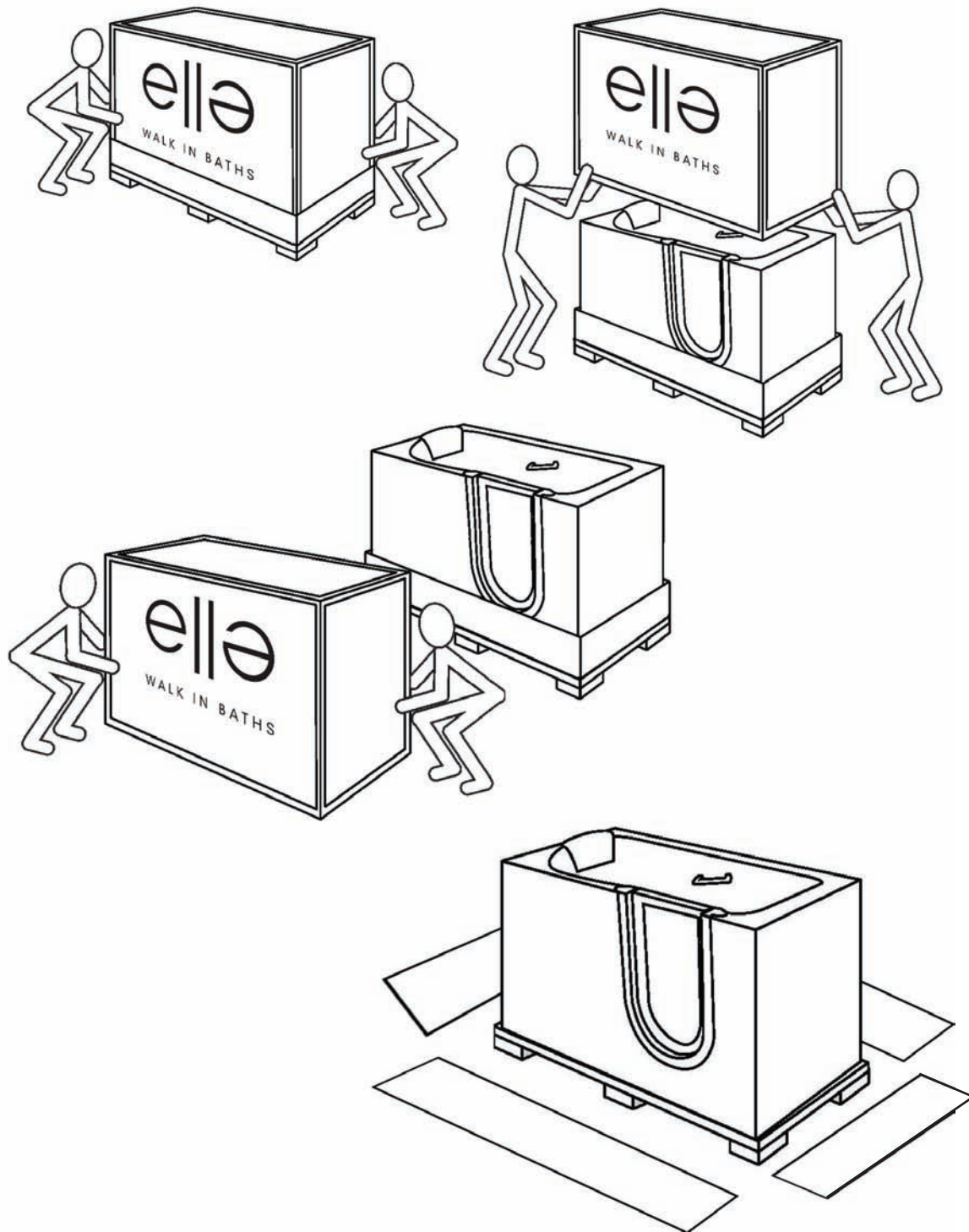
Owners Manual - Ella Soaking Walk In Baths

High quality luxury offering safety and independent living.

# Table of Contents

Unpacking and Carrying your Walk in Bath.....	1-2
IMPORTANT Safety Instructions.....	3
Installing Extension Kits.....	4
Installation of Deck Mount Grab Bar.....	5
Service Access and Door Seal Information.....	6
Finishing Installation.....	7
Threshold Lowering Option.....	7
Operating Instructions.....	8
Cleaning and Maintenance.....	9
Warranty Certificate.....	10
Warranty Activation Form.....	11-12

## Unpacking and Inspecting your Walk in Bath



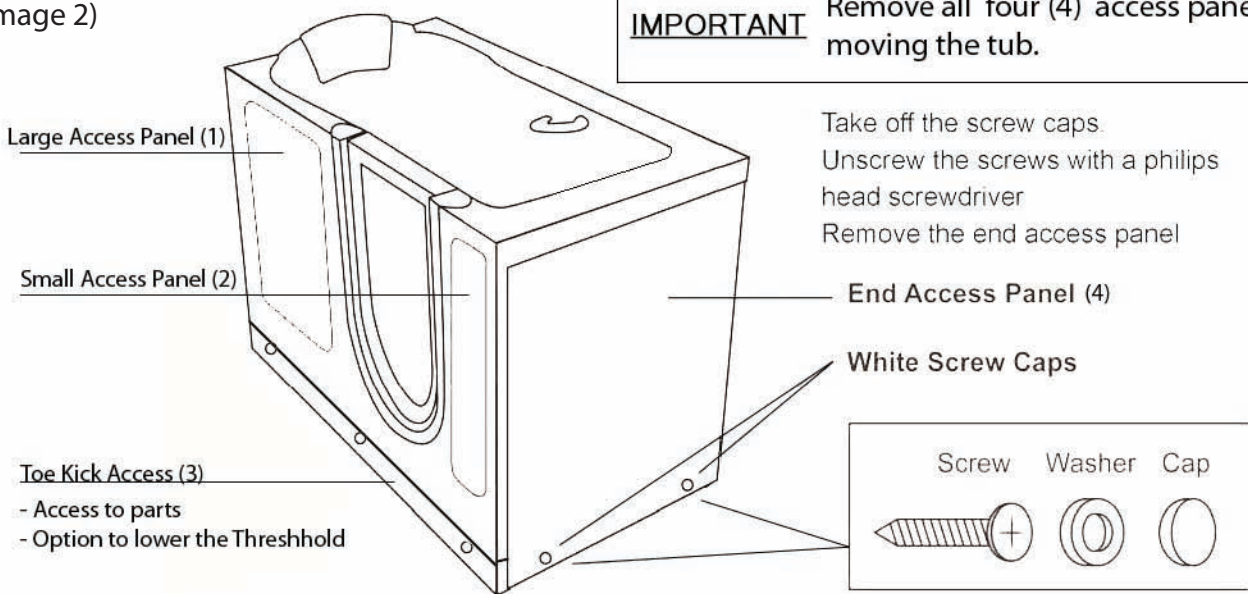
**IMPORTANT:** Returns are only accepted in original packaging for shipping. Use caution so as not to damage cardboard crate or its wooden pallet. Do not dispose of shipping material until installation is complete.

[www.ellasbubbles.com](http://www.ellasbubbles.com)

*Deluxe . Elite . Royal . Petite . Companion*

# Unpacking and Carrying your Ella Walk in Bath

(Image 2)

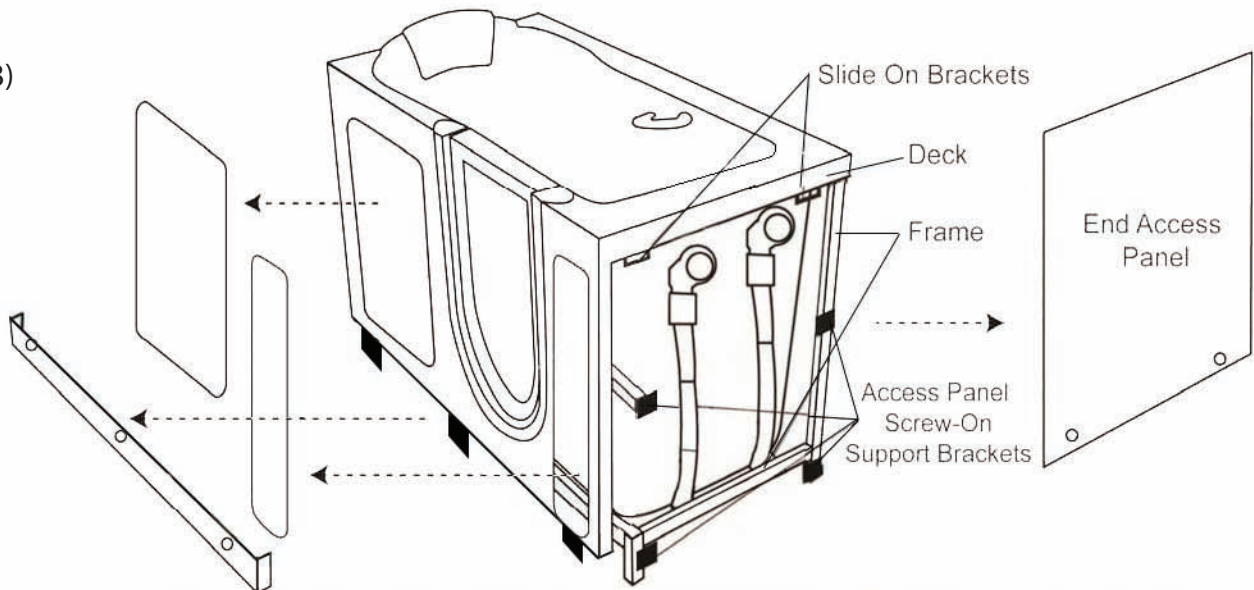


**IMPORTANT** Remove all four (4) access panels before moving the tub.

Take off the screw caps  
Unscrew the screws with a philips head screwdriver  
Remove the end access panel

**WARNING:** Do not carry the tub by the access panels. Be careful when carrying the tub and avoiding front wall panel contact with the floor or stairs to prevent damages. Make sure no loose parts are hanging down. Remove both front access panels before carrying the tub to prevent the panels from falling out and breaking.

(Image 3)



**WARNING!** Lift and carry the tub only by the deck or frame. Protect the bottom of the tub to avoid breaking the air jets positioned on the bottom of the tub.

## Important Safety Instructions

### **WARNING:**

**\*\*\*Read through the entire manual completely before beginning installation.\*\*\***

Use only licenced plumbers for installation. Be sure you and your contractor are aware of and follow all local plumbing codes. Your Ella Walk in Bath is not intended for outdoor use. Install the tub in accordance with the instructions in the manual. Use **ONLY** the parts and accessories provided or as recommended by the manufacturer.

### **CAUTION:**

When using this product, basic precautions should always be followed. Read and follow all instructions pertaining to electric shock and injury.

Risk of electric shock; Do not permit electric appliances within 3 feet (1.5m) of the tub. IE: hair dryers, lamps, phones, radios, televisions ...etc.

To reduce the risk of injury, do not permit children or persons with disabilities to use this product unless they are supervised by an able-bodied adult at all times. Never drop or insert any objects into any openings.

### **DANGER:**

Consult your physician before using your Ella Walk in Bath if you have a heart condition or other health issue. People using medications, herbal remedies, sleep aids, and/or having adverse medical history should consult a physician before using this product.

Pregnant women should NOT use this product before consulting their physician. Avoid the use of alcohol, drugs or other medication while using you walk in bath.

Be aware, the danger of hyperthermia is a risk when raising of core body temperature can occur. Do not keep body submerged in heated bath for extended periods of time. The symptoms of hyperthermia include an increase in body temperature which can cause dizziness, lethargy, drowsiness and fainting. Avoid using the heated bath after strenuous activity.

Exercise caution while entering and exiting you Ella Walk in Bath.

## Before Installation

### **Protecting the Bath**

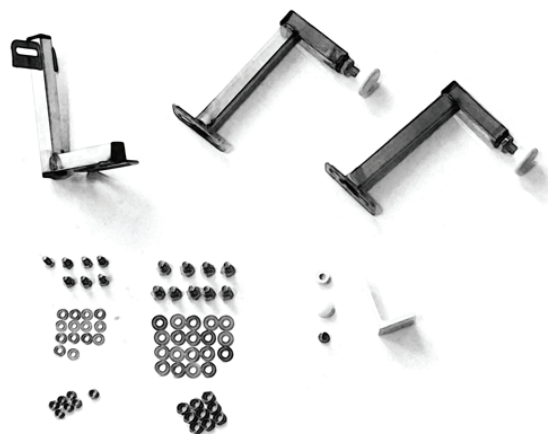
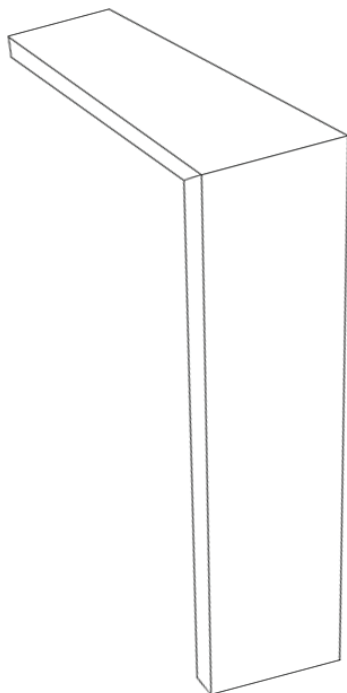
Cover and protect the bath shell and fixtures from scratches or other damages during the installation and tests. Remove the access panels when moving the Walk in Bath and always lift the bathtub from the frame (image 3)



# Installing Extension Kits

DELUXE Dimensions: 5"W x 29 1/2"L x 37"H  
 ELITE Dimensions: 7"W x 29 3/4"L x 37 3/4"H  
 ROYAL Dimensions: 7"W x 31 3/4"L x 37 3/4"H  
 PETITE Dimensions: 7"W x 27 3/4"L x 37 3/4"H

L" Stainless Steel Brackets.....Qty (3)  
 L" Acrylic Bracket.....Qty (1)  
 1" x 1/8" Bolts.....Qty (7)  
 1" x 1/4" Bolts.....Qty (7)  
 1" Screw.....Qty (1)  
 1/2" Nuts.....Qty (9)  
 3/8" Nuts.....Qty (7)  
 Med. Washers.....Qty (14)  
 Sm. Washers.....Qty (14)  
 Plastic Washer.....Qty (1)  
 Plastic Cap.....Qty (1)



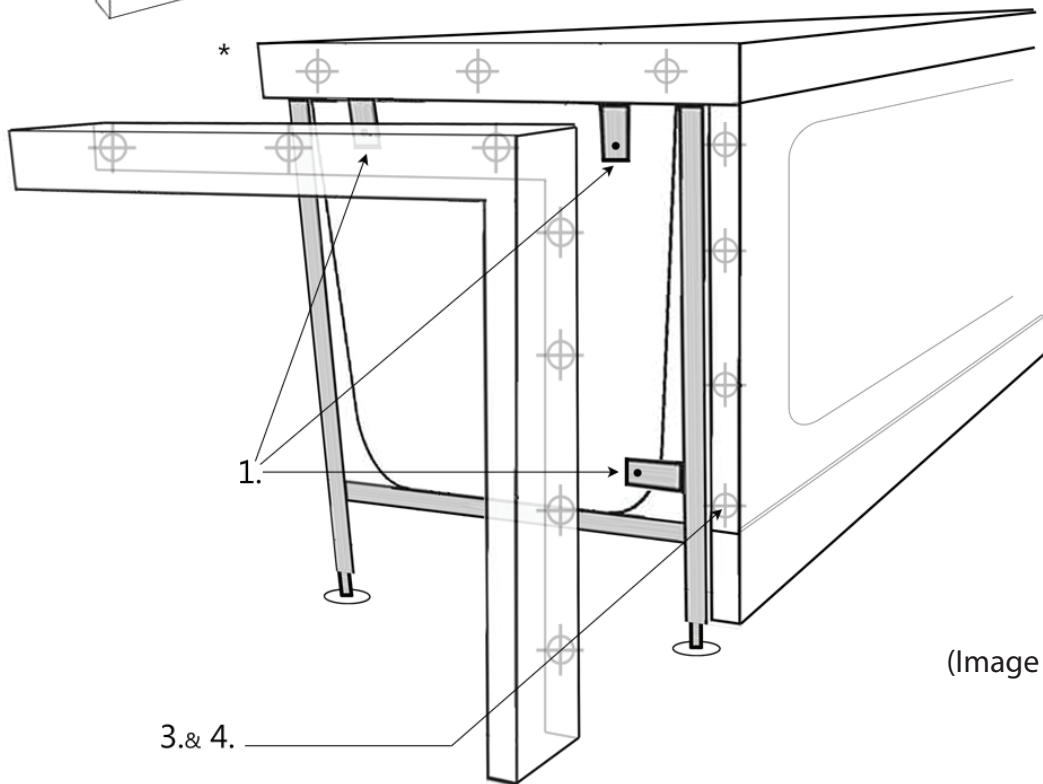
**1.** Install 3 extension support brackets provided in the kit.

**2.** Clamp in place, the extension panel to the walk in tub shell, lining up the facade of top and front.

**3.** Pre-drill (+3/8") slightly wider holes than mounting screws to allow for final adjustment to the panel.

**4.** Mount extension with 7 screws, washers and bolts.

**5.** Apply Silicone or white caulking as needed.



(Image 4)

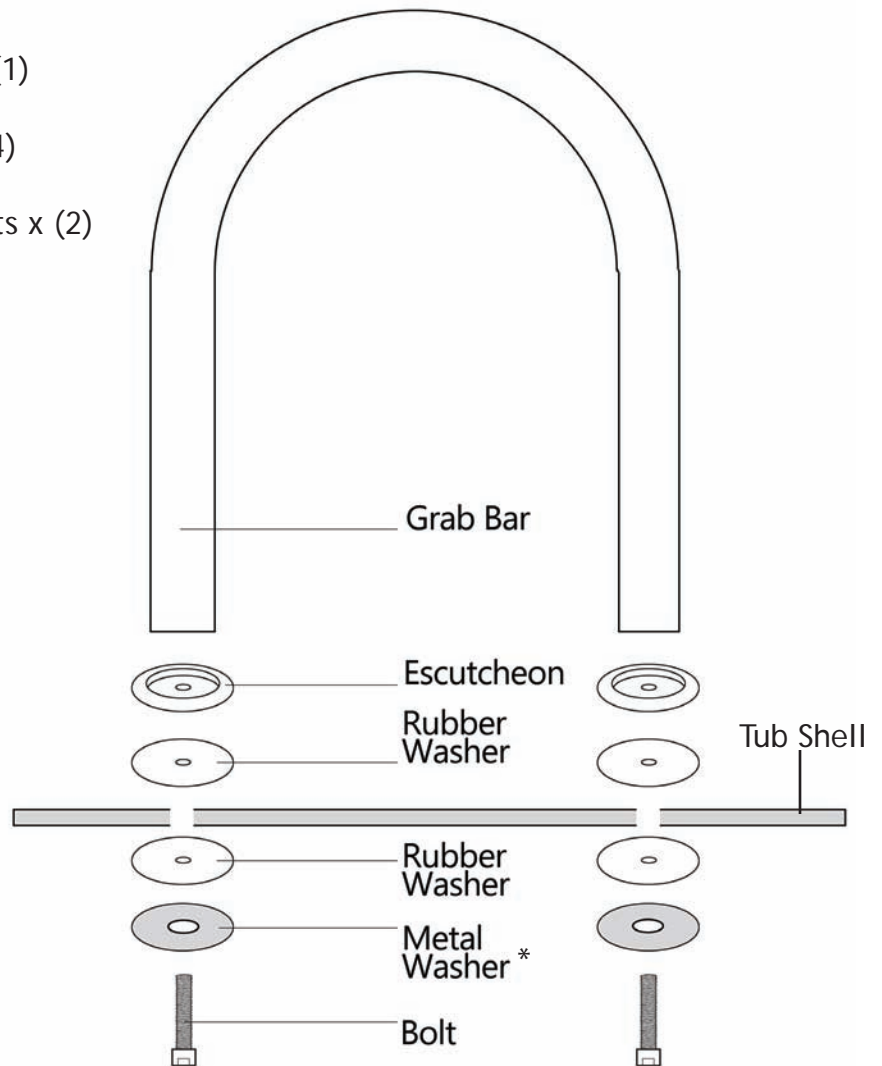
\* The extension kit can be installed as needed. Opening can be filled as desired.

www.ellasbubbles.com

## Installation of Deck Mount Grab Bar

PARTS LIST: Chrome grab bar x (1)  
Escutcheon x (2)  
Rubber washers x (4)  
Metal washers x (2)  
Machine thread bolts x (2)

(Image 10)



To install the supplied grab bar first locate all the parts needed for installation. (see image 10). Ready the bolt assembly by first placing a metal washer onto the bolt followed by a rubber washer. Feed the bolt up through the tub shell and place another rubber washer over the extruded bolt followed by the escutcheon. You may start the threading into the grab bar to hold the assembly loosely in position and then repeat the process for the second bolt. Once the entire assembly is in place, tighten the bolts with the supplied allen wrench.

**\*WARNING:** Under no circumstances install the grab bar without the large metal washer underneath the tub shell. Doing so will leave the tub shell vulnerable to cracking and *void the warranty*. If washers are missing they may be replaced by calling 1-800-480-6850

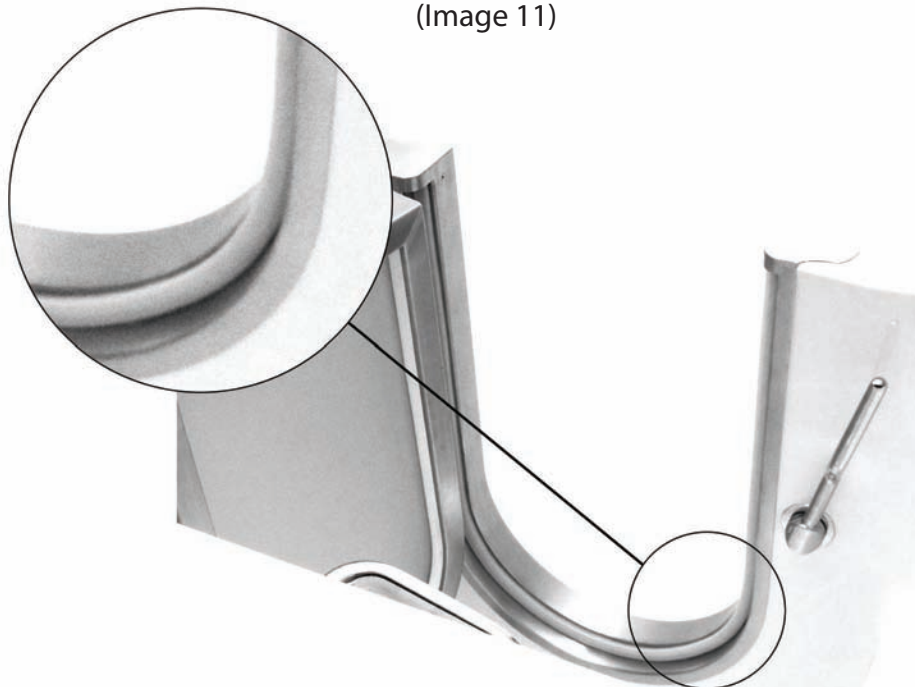
## Service Access

It is the responsibility of the installer or owner to provide access for service required, per code. Ella is not responsible for any costs related to obtaining access for repair. The owner shall assume responsibility for such costs, and if appropriate, must seek recovery from the installer.

## Door Seal

Please keep in mind that the door has been closed for an extended period of time throughout shipping and the bathtub has been stored in various temperatures. It is possible for the silicone seal to stick to the frame when stored for extended periods of time. When the bathtub is received, the door seal should be checked for deformations from shipping and re-formed and adjusted where necessary. To restore the door seal, the seal must be released and allowed to relax with the door open. This is done by squeezing the seal with your finger tips and pulling it away from the door frame to regain its flexibility and original form. It is recommended that the door be kept open when not in use to increase the lifetime of the door seal and maintain its flexibility.

(Image 11)



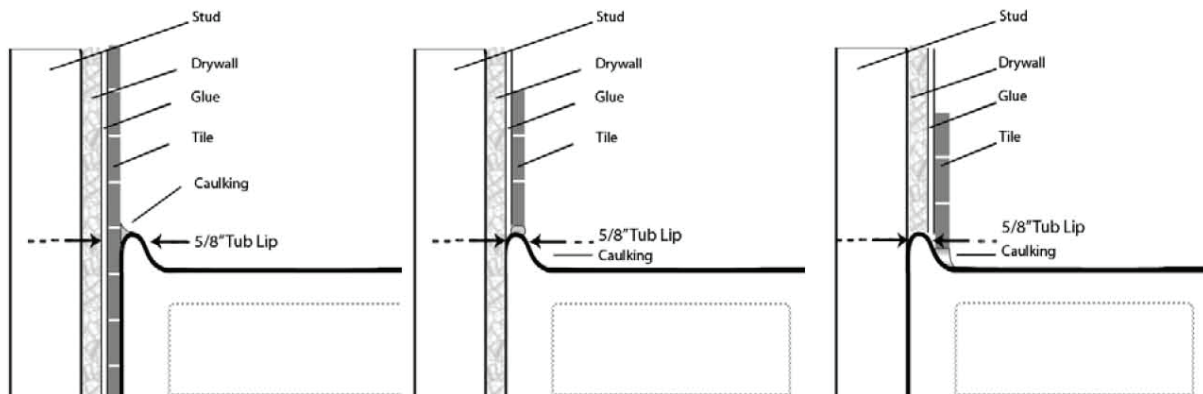
[www.ellasbubbles.com](http://www.ellasbubbles.com)



## Finishing Installation

After all of the plumbing testing is completed, and all fixtures are checked, the tub can be installed to the surrounding wall or walls. Ella Walk in Baths come with low rise tile flange which allows for two or one wall installations. The extension panel of the bathtub can be installed as needed for 60" openings.

(Image 17)



The tub can be finished and tiled over as shown in images. Caulking must be applied to joints as needed after the bathtub is installed.

## Threshold Lowering Option

Lowering the threshold is an option that can be chosen during installation. Because your Ella Walk in Bath is set up for easy installation, lowering the threshold requires the drain option to be set up below the floor (see pg. 6). To lower the Walk in Bath threshold; First, remove the toe kick panel to expose the adjustable leg supports. Adjust the height of the tub while keeping the Walk in Bath plumb level on all four corners. Finish the installation with baseboard.

(Image 18)



NOTE: Any alterations or installed additions are the responsibility of the installer. Ella Walk in Baths is not responsible for any damage to the unit or for water damage, which could occur due to improper installation.

[www.ellasbubbles.com](http://www.ellasbubbles.com)

*Deluxe . Elite . Royal . Petite . Companion*

# Operating Instructions

## 1. Draining the Walk in Bath

To drain your Ella Walk in Bath. Open each of the drains by turning both drain openers clockwise from a down position, upward one half turn until fully open. Remain in the tub until the water has dropped below the door sill.

## 2. Exiting the Bath

Getting out of your Ella Walk in Bath is as easy as getting in to it. Wait for the water to drain below the door sill. Unlock the door by using the door handle. Fully open the door first then stand up and exit your Ella Walk in Bath.

*NOTE: It is recommended to leave the door fully open when not in use to keep the door seal fresh and promote a longer lifetime for the door seal.*

## 3. About the Door:

Entering the walk in bath, the door can be closed and locked with the handle from a seated or standing position. Do not apply any body weight on the door when entering or exiting the walk in bath. The door hinges are well built and are very durable, however leaning on or applying weight on the door may damage and mis-align the door and create leaks. Such damages are not covered by the warranty. It is recommended to leave the door in the open position when the tub is not used to extend the life of the seal.

## Cleaning and Maintenance

Usually, a mild detergent will remove construction debris. More stubborn debris may be removed with denatured alcohol or Clorox Soft Scrub cleaner. Light scratches and dulled areas may be restored to its original luster by polishing the surface with a fine grade automotive type cleaning and polishing compound.

To clean your Ella Walk in Bath, use a mild non-abrasive liquid detergent solution. It is recommended that once a month the tub is flushed. Bath oils, fragrances and salts may be used, but are not suggested. The use of these bath products will require more frequent maintenance cleaning of the tub and its plumbing.

To clean difficult soap scum and bath oil residue, mix water and baking soda in a small bowl, forming a paste. Apply the paste to your acrylic bathtub using a damp sponge. The baking soda will break through soap scum without scratching the acrylic surface. Rinse away the paste after cleaning.





WALK IN BATHS

## Ella Acrylic Walk-In Bath Warranty Information

This limited lifetime warranty is extended to the first purchaser to be free from defects in workmanship and material under normal use and conditions from the date of the original purchase. This warranty is nontransferable and applies only to the original owner and to the original installation place - address only and does not extend to products previously used as display models or products that have been modified or repaired by anyone else but Ella's Bubbles. The warranty is void if the ownership or original installation location is changed (tub is relocated). This warranty relates to all fittings and components included with the tub from the manufacturer. The bathtub shell, frame, door seal and finish are covered by limited lifetime warranty. The door is covered by a limited lifetime warranty under normal use and conditions. All supporting equipment, motors, pumps, fixtures, electronic controls, faucet, waste, overflow, and all plated finishes, are covered by a limited five (5) year Warranty. This warranty is nontransferable and applies only to the original owner. The finish warranty does not apply to fading, cracking, delaminating or blistering due to excessive wear, sun fading or scouring due to cleaning. This warranty shall not apply to any failure resulting from negligence, abuse, misuse, misapplication, alteration, or modification or improper maintenance. The door warranty is valid only if the alignment of the door is not changed by applying pressure or user's weight to the door or by wrong installation. The door is designed to hold its own weight and not designed to hold users weight. Should service be required for any reason of any defect or malfunction of the product during the first five years, Ella's Bubbles will ship the part to the original customer's address without charge subject to verification of the defect or malfunction. Ella's Bubbles will not be liable for any incidental expenses or material charges in connection with removal or replacement of the product or parts. Delivery time is based on parts availability and location. Normally parts are sent out immediately.

(Emailed or mailed photos of defective product photos and description of the problem is required)

All mailing notification must be sent via certified mail to:

Ella's Bubbles, LLC.  
2101 S Carpenter St.  
Chicago, IL 60608  
Email: [info@ellasbubbles.com](mailto:info@ellasbubbles.com)

The Manufacturer will not be responsible for any water damage to structures or property for any reason including but not limited to manufacturer defects or improper installation. Manufacturer will assume no responsibility for the loss of the system, inconvenience due to loss, damage to real or personal property or any other consequential damage. Manufacturer will not be liable for any incidental expenses or material charges in connection with removal or replacement of the purchased part or any part or parts of the System. This warranty shall not apply to any type of failure resulting from negligence, abuse, misuse, misapplication, improper installation, alteration or modification, chemical corrosion or improper maintenance. There will be a charge for replacement parts or replacement of the entire electrical unit if the defective unit is returned for any of the reasons listed above. Ella's Bubbles reserves the sole authority to make any type of warranties or representations concerning its products and will not be responsible for any warranties or representations made by any outside source, including dealers, retailers, distributors or contractors. Ella's Bubbles does not warrant the installation of any of our products. Items include: all plumbing or electrical related connections, improper or negligent installation of the product. Alteration made of, or alterations or modifications made to the System, may cause the product or the System to malfunction. Such problems are not covered by warranty.

**TO THE EXTENT PERMITTED BY LAW, ALL IMPLIED WARRANTIES INCLUDING THOSE OF MERCHANTABILITY AND FITNESS FOR A PARTICULAR PURPOSE ARE HEREBY DISCLAIMED.**

Ella's Bubbles and seller hereby disclaim any liability for special, incidental, or consequential damages. Some states/provinces do not allow limitations on how long an implied warranty lasts, or the exclusion or limitation of special, incidental or consequential damages, so these limitations and exclusions may not apply to you. This warranty gives you specific legal rights. You may have other rights, which vary from state/province to state province.

**TOLL FREE: 800 - 480 - 6850**

Model: \_\_\_\_\_ Serial Number: \_\_\_\_\_

Purchase Date: \_\_\_\_\_ Purchase price: \_\_\_\_\_

Place of Purchase: \_\_\_\_\_

Contact Name: \_\_\_\_\_ Phone Number: \_\_\_\_\_

Upon completing the installation of an Ella Walk In Bath, the following Warranty Activation Form must be completed, signed by both the customer and installer, and returned to Ella's Bubbles, LLC. in order for the Warranty to be activated (faxed, scanned and emailed, or hard copy mailed).

*To be initialized by the installer(s)*

---

\_\_\_ Tub is level in all directions and all support legs are touching the ground.

\_\_\_ Frame of the tub has been properly grounded.

\_\_\_ Door Seal has been cleaned with rubbing alcohol to remove any dust or debris left over from construction.

\_\_\_ Drains open and close properly, and the locking nut has been tightened on both stoppers.

\_\_\_ Door seal is water tight after tub has been filled for a minimum of 20 minutes.

\_\_\_ All drain fittings have been checked for leaks while the tub is draining.

\_\_\_ Unit is installed with access to both plumbing connections.

OWNER'S INFORMATION:

\_\_\_\_\_  
Name

\_\_\_\_\_  
Address

\_\_\_\_\_  
City

\_\_\_\_\_  
State

\_\_\_\_\_  
ZIP

\_\_\_\_\_  
Telephone

\_\_\_\_\_  
E-mail

\_\_\_\_\_  
Date

\_\_\_\_\_  
Signature

INSTALLER'S INFORMATION:

\_\_\_\_\_  
Company Name

\_\_\_\_\_  
Installer's Name

\_\_\_\_\_  
Address

\_\_\_\_\_  
City

\_\_\_\_\_  
State

\_\_\_\_\_  
ZIP

\_\_\_\_\_  
Telephone

\_\_\_\_\_  
E-mail

\_\_\_\_\_  
Date

\_\_\_\_\_  
Signature

Copy of sales receipt must be included  
with warranty activation forms.

To activate manufacturer's warranty please complete both pages and use one of the options below to submit.

Via mail: Ella's Bubbles, LLC.  
Warranty Department  
2101 S. Carpenter St. Chicago, IL 60608

Via fax: 1-312-666-3551

Via e-mail: warranty@ellasbubbles.com

[www.ellasbubbles.com](http://www.ellasbubbles.com)

*Deluxe . Elite . Royal . Petite . Companion*