

Canyon Heights Fireplace

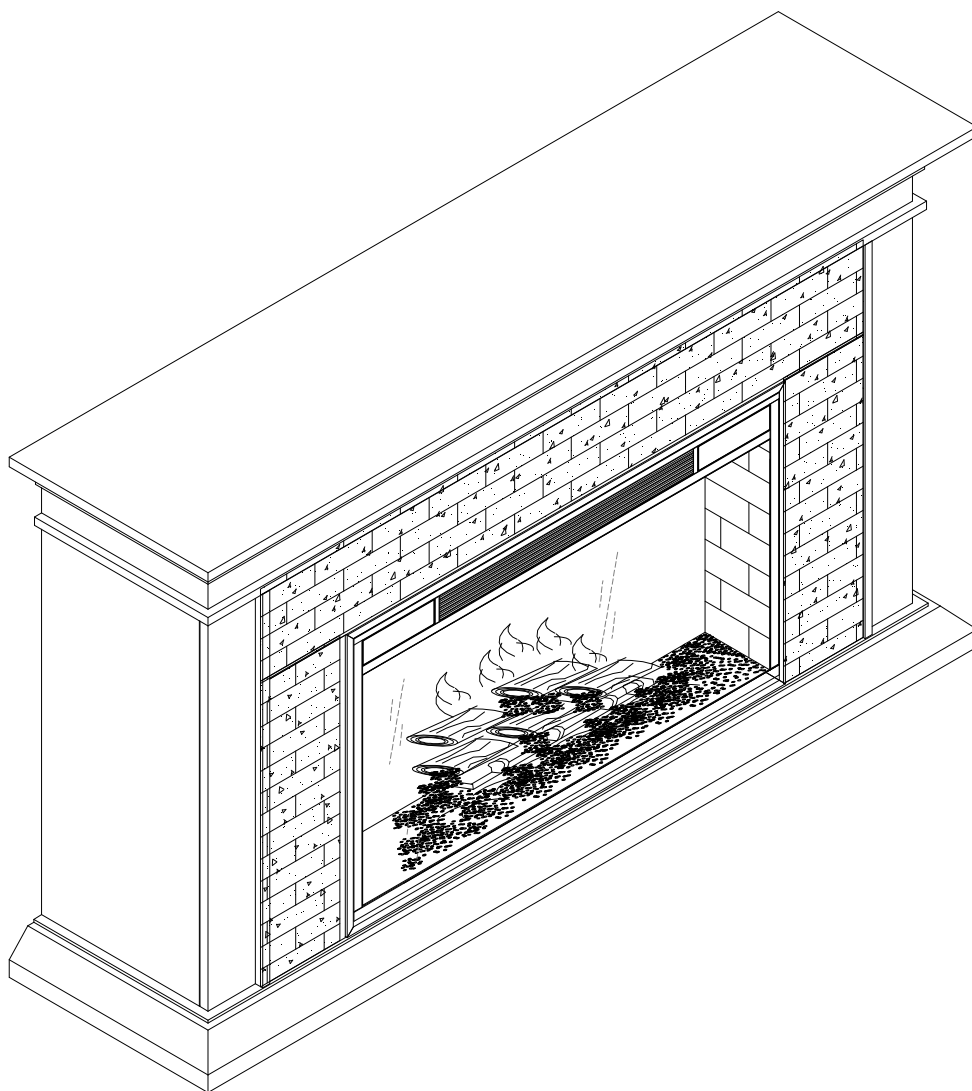
FA902300TX- Whiskey Maple

Assembly Instructions

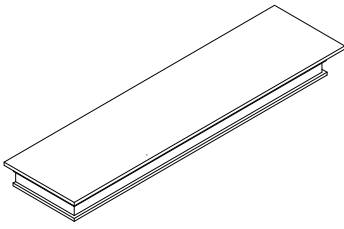


Southern
ENTERPRISES

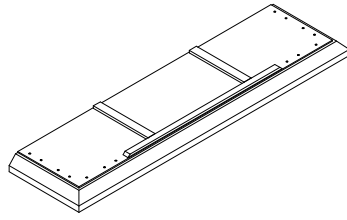
For assistance with assembly contact:
Southern Enterprises Inc.
Customer Service 1-800-633-5096
service@seidal.com
www.seidal.com



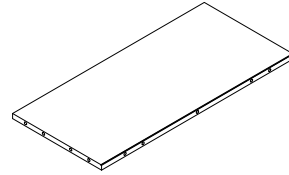
PACKAGE CONTENTS



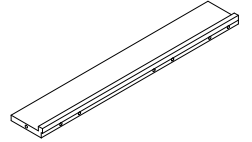
1



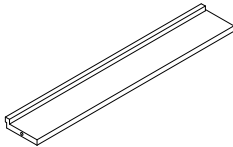
2



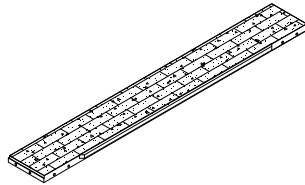
3



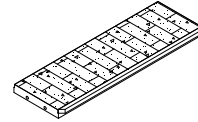
4



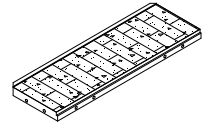
5



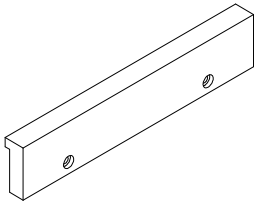
6



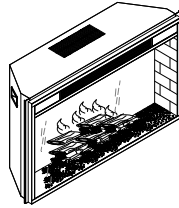
7



8



9



10

PART	DESCRIPTION	QUANTITY
1	Top Panel	1
2	Bottom Panel	1
3	Side Panel	2
4	Left Front Side Panel	1
5	Right Front Side Panel	1

PART	DESCRIPTION	QUANTITY
6	Middle Front Panel	1
7	Left Front Panel	1
8	Right Front Panel	1
9	Wood Blocks	2
10	Firebox (shipped in a separate carton)	1

HARDWARE CONTENTS

A



Cam Bolt
Qty:31

B



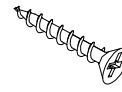
Wood Dowel
Qty:24

C



Cam Lock
Qty:31

D



Flat Head Long Screw
Qty:4

SAFETY INFORMATION

Please read this entire manual before attempting to assemble, operate, or install this product. If you have any questions regarding the product, please call customer service at 800-633-5096 or in Dallas 972-869-0111/ 9am - 4pm Mon-Fri.

WARNING

- Mantel is heavy and should be assembled near its desired location.
- It is recommended that two people move the finished mantel to prevent injury.

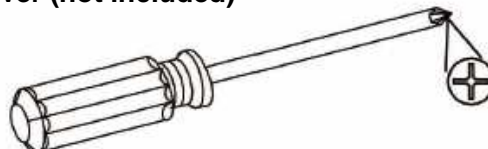
PREPARATION

Before beginning assembly of product, make sure all parts are present. Compare parts with the package contents and hardware list above. If any part is missing or damaged, do not attempt to assemble the product. Contact customer service for replacement parts.

Estimated Assembly Time: 60 minutes

Tools Required for Assembly: Allen Wrench (included), Phillips Screwdriver (not included)

Phillips screwdriver (not included)



ASSEMBLY INSTRUCTIONS

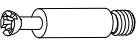


1. Insert Cam Locks **(C)** into corresponding holes on Middle Front Panel **(6)**.

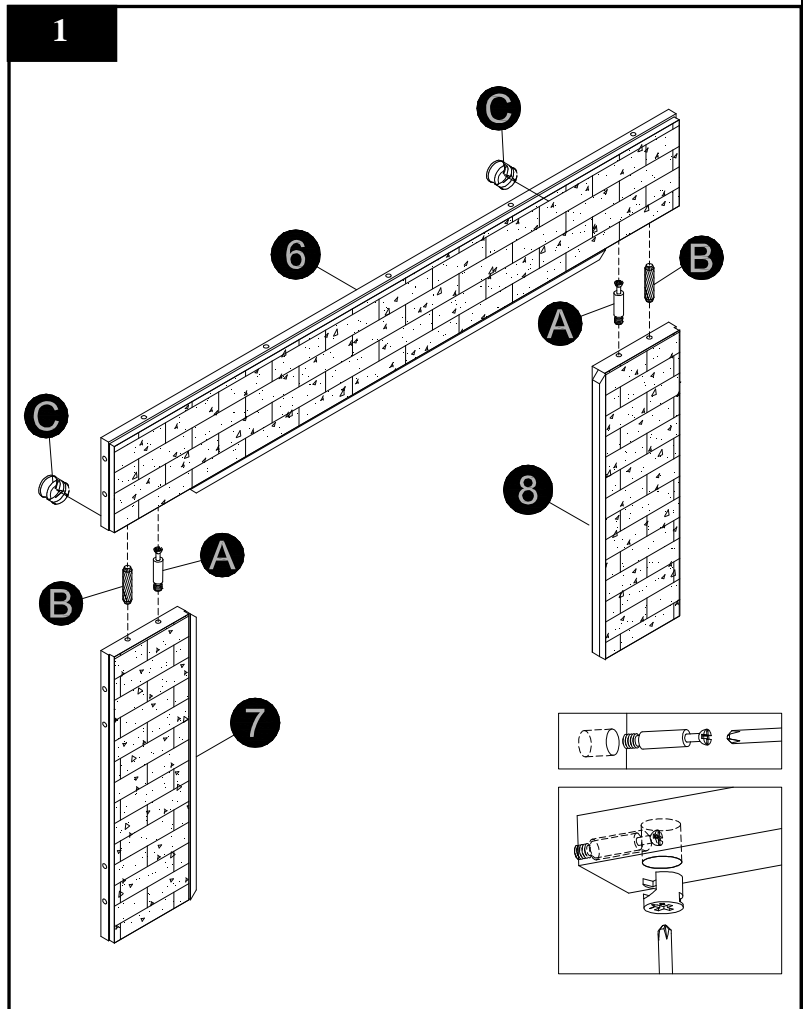
Screw Cam Bolts **(A)** and insert Wood Dowels **(B)** into corresponding holes on Left Front Panel **(7)** and Right Front Panel **(8)**.

Attach Left Front Panel **(7)** and Right Front Panel **(8)** to Middle Front Panel **(6)** by inserting Wood Dowels **(B)** and Cam Bolts **(A)** into corresponding holes until Left Front Panel **(7)**, Right Front Panel **(8)** and Middle Front Panel **(6)** meet.

Tighten by rotating Cam Locks **(C)** clockwise with Phillips screwdriver.

HARDWARE USED

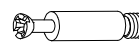


A		Cam Bolt	x 2
B		Wood Dowel	x 2
C		Cam Lock	x 2

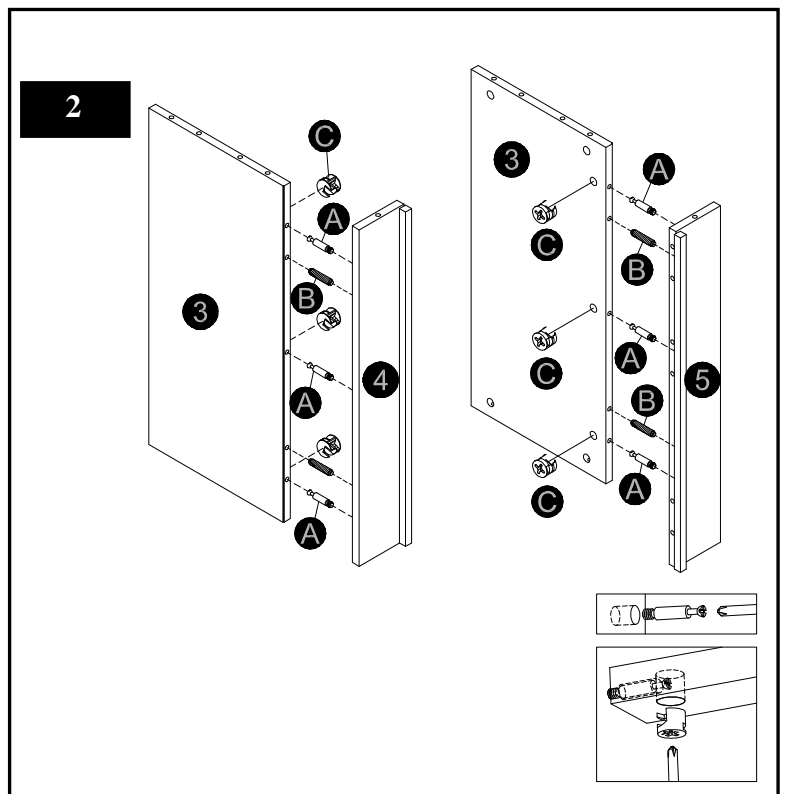


2. Insert Cam Locks **(C)** into corresponding holes on Side Panels **(3)**. Screw Cam Bolts **(A)** and insert Wood Dowels **(B)** into corresponding holes on Left Front Side Panel **(4)** and Right Front Side Panel **(5)**. Attach Left Front Side Panel **(4)** and Right Front Side Panel **(5)** to Side Panels **(3)** by inserting Wood Dowels **(B)** and Cam Bolts **(A)** into corresponding holes until Left Front Side Panel **(4)**, Right Front Side Panel **(5)** and Side Panels **(3)** meet.

Tighten by rotating Cam Locks **(C)** clockwise with Phillips screwdriver.

HARDWARE USED

A		Cam Bolt	x 6
B		Wood Dowel	x 4
C		Cam Lock	x 6



ASSEMBLY INSTRUCTIONS

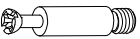


3. Insert Cam Locks **(C)** into the corresponding holes on the assembled unit from Step 1.

Screw Cam Bolts **(A)** and insert Wood Dowels **(B)** into the corresponding holes on the assembled unit from Step 2.

Attach the assembled unit from Step 1 to the assembled unit from Step 2 by inserting Wood Dowels **(B)** and Cam Bolts **(A)** into corresponding holes until the assembled units meet.

Tighten by rotating Cam Locks **(C)** clockwise with Phillips screwdriver.

HARDWARE USED

A		Cam Bolt	x 6
B		Wood Dowel	x 6
C		Cam Lock	x 6

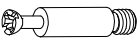


4. Insert Cam Locks **(C)** into holes on the assembled unit from Step 3.

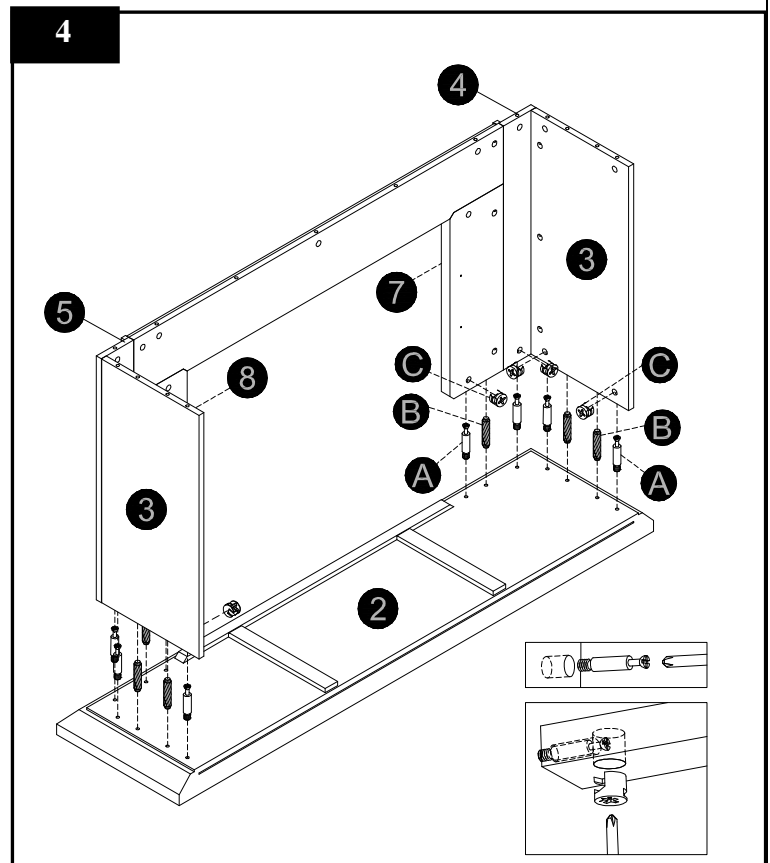
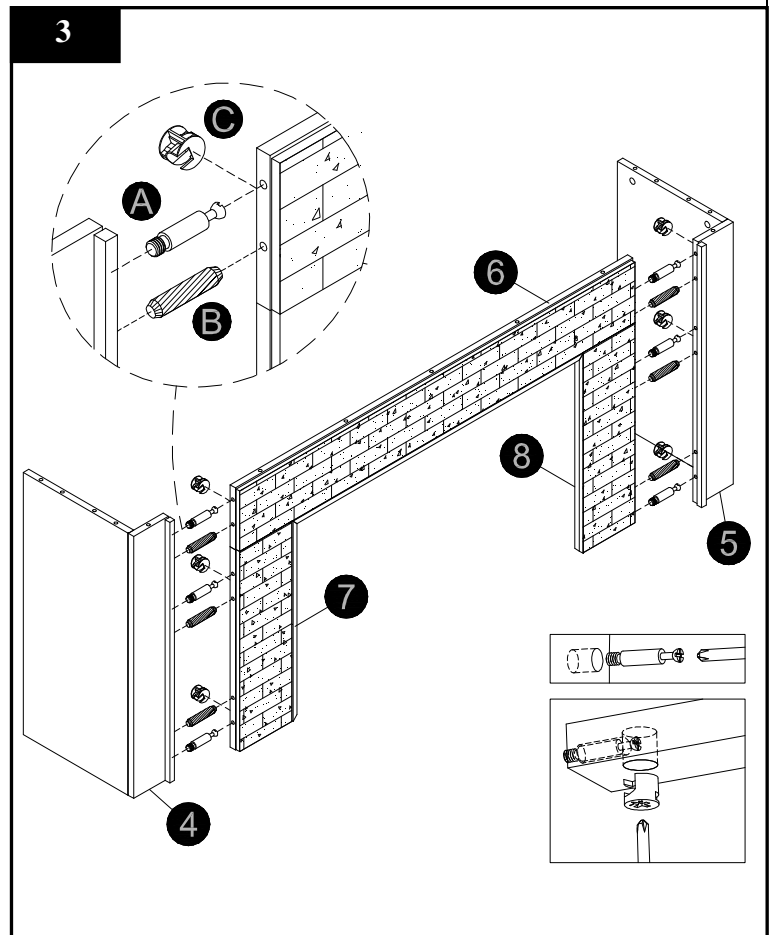
Screw Cam Bolts **(A)** and insert Wood Dowels **(B)** into holes on Bottom Panel **(2)**.

Attach assembled unit from Step 3 to Bottom Panel **(2)** by inserting Wood Dowels **(B)** and Cam Bolts **(A)** into corresponding holes until Bottom Panel **(1)** and the assembled unit from Step 3 meet.

Tighten by rotating Cam Locks **(C)** clockwise with Phillips screwdriver.

HARDWARE USED

A		Cam Bolt	x 8
B		Wood Dowel	x 6
C		Cam Lock	x 8



ASSEMBLY INSTRUCTIONS




5. Insert Cam Locks (C) into corresponding holes on assembled unit from Step 4.

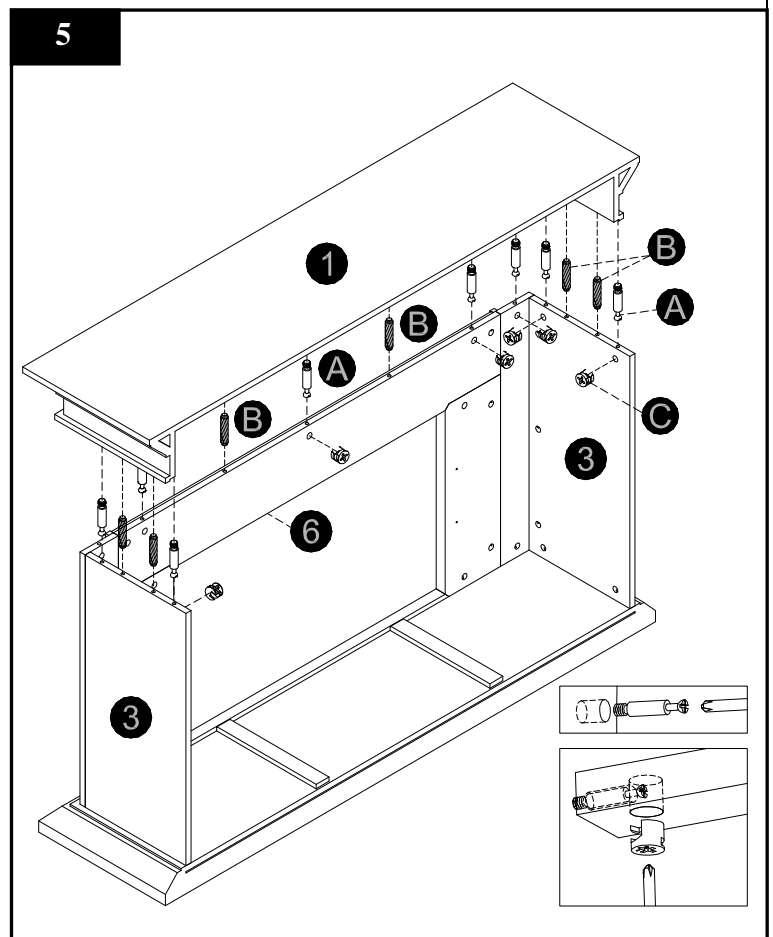
Screw Cam Bolt (A) and insert Wood Dowels (B) into corresponding holes on Top Panel (1).

Attach Top Panel (1) to the assembled unit from Step 4 by insert Wood Dowels (B) and Cam Bolts (A) into corresponding holes until Top Panel (1) and the assembled unit from Step 4 meet.

Tighten by rotating Cam Locks (C) clockwise with Phillips screwdriver.

HARDWARE USED

A		Cam Bolt	x 9
B		Wood Dowel	x 6
C		Cam Lock	x 9

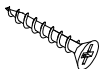


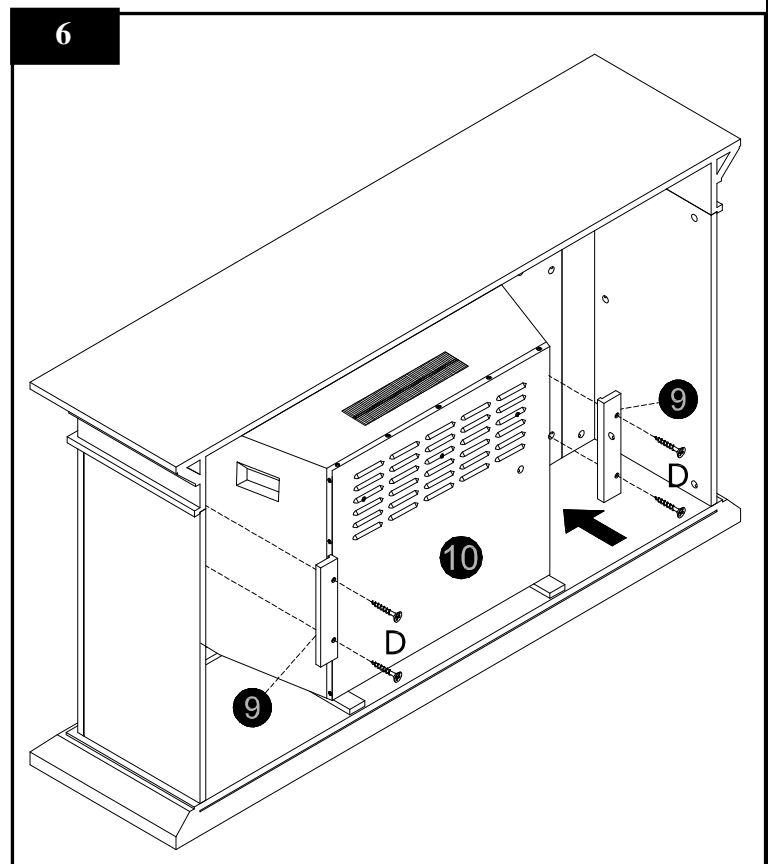
6. Insert Firebox (10) into the back of the unit.

Use Screws (D) to connect Wood Blocks (9) to the unit.

Tighten Screws (D) with Phillips screwdriver.

HARDWARE USED

D		Screw	x 4
----------	---	-------	-----



Parts Replacement Form

Customer Information

Name _____

Address _____

City/State/Zip Code _____

Phone Number _____

Please indicate where you purchased this item: Store/Website/Catalog

Please indicate color/size/style number:

Style No	Parts Letter	Parts Description	Quantity Needed
_____	_____	_____	_____
_____	_____	_____	_____
_____	_____	_____	_____

Please examine this product carefully upon immediate receipt. Any request for missing parts or damage replacement must be received within 90 days of your receipt of the product. Replacement, if available, will be honored within this time frame. Parts will not be available for items arriving fully assembled. We do not recommend modifying product(s) and we are not responsible for any damages due to product modification(s). If damages or missing parts are not reported within 90 days of your receipt, we are under no obligation to provide parts or replacement merchandise.

Please contact Southern Enterprises at 800-633-5096 or in Dallas 972-869-0111/ 9am – 4pm Mon-Fri Central time if you have product issues or email us at service@seidal.com. Please ask for customer service representative for issues involving damages or replacement parts. Please ask for technical assistance representative for any issues with product and assembly/construction.

Please contact the retailer that you purchased from for returns.



Southern
ENTERPRISES

Customer Service 1-800-633-5096
service@seidal.com
Southern Enterprises, Inc.
600 Freeport Parkway, Suite 200
Coppell, Texas 75019