

"Elkmont" Fireplace

FA928100TX-Mahogany

FA928200TX-Salem Antique Oak

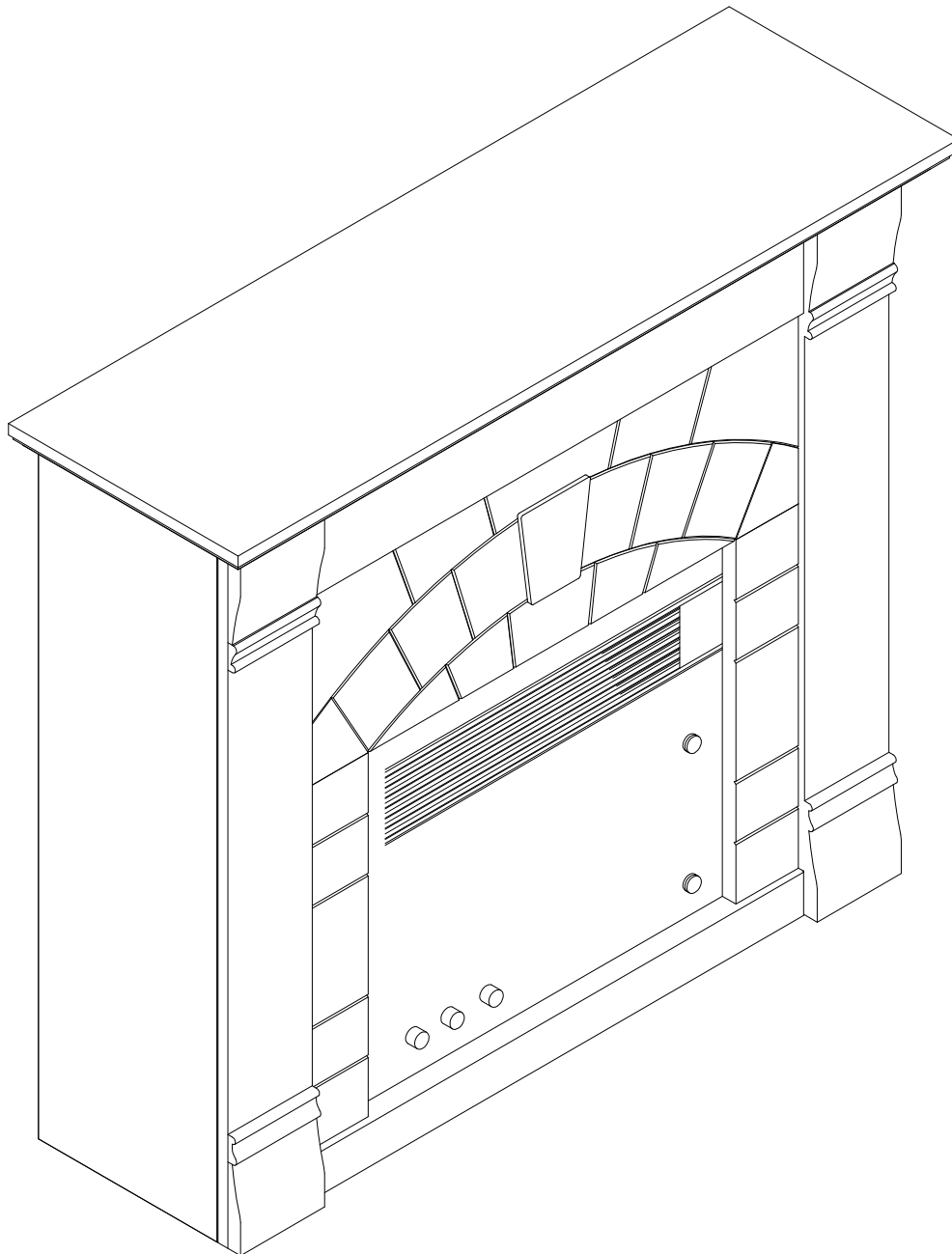
FA928300TX – Black

Assembly Instructions



Southern
ENTERPRISES

For assistance with assembly, contact:
Southern Enterprises Inc.
Customer Service 1-800-633-5096
service@seidal.com
www.seidal.com

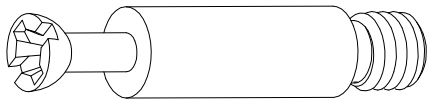


"ELKMONT" FIREPLACE Parts List

Please check packaging for all parts and hardware before discarding. Unpack and lay parts on clean, padded surface like carpet or blanket. Check that you have all parts indicated. Call customer service if hardware is missing. Before beginning assembly, carefully study the diagrams below and sort your hardware according to the pictures. Using the incorrect hardware will cause damage.

A

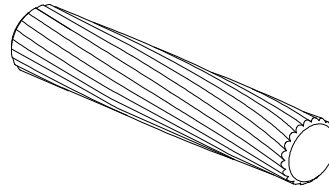
Quantity
of 10



Cam Bolt

B

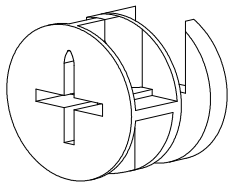
Quantity
of 16



Wood Dowel

C

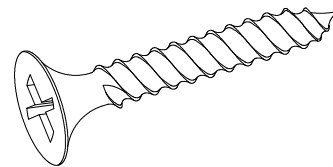
Quantity
of 10



Cam Lock

D

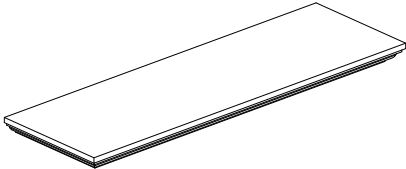
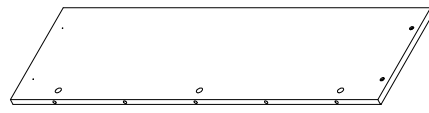
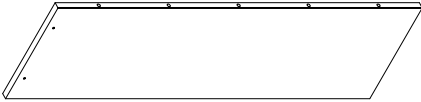
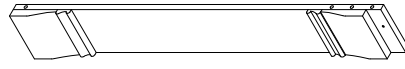

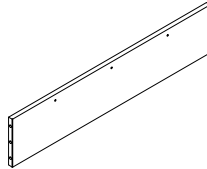
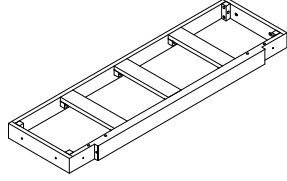
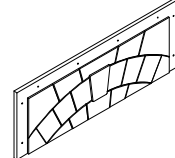
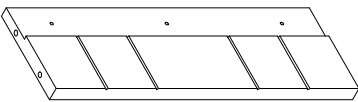
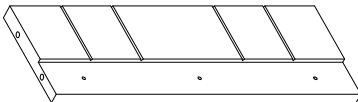
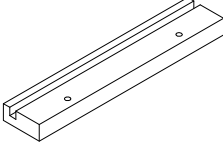
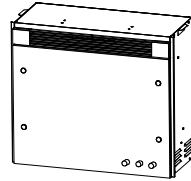
Quantity
Of 33



Wood Screw

"ELKMONT" FIREPLACE Parts List

Please check packaging for all parts and hardware before discarding. Unpack and lay parts on clean, padded surface like carpet or blanket. Check that you have all parts indicated. Call customer service if hardware is missing. Before beginning assembly, carefully study the diagrams below and sort your hardware according to the pictures. Using the incorrect hardware will cause damage.

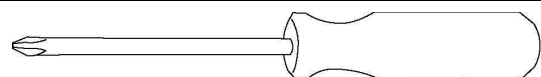
<p>1</p>  <p>Quantity of 1</p> <p>Top Panel</p>	<p>2</p>  <p>Quantity of 1</p> <p>Left Side Panel</p>
<p>3</p>  <p>Quantity of 1</p> <p>Right Side Panel</p>	<p>4</p>  <p>Quantity of 1</p> <p>Left Front Panel</p>
<p>5</p>  <p>Quantity of 1</p> <p>Right Front Panel</p>	<p>6</p>  <p>Quantity of 1</p> <p>Middle Front Panel</p>
<p>7</p>  <p>Quantity of 1</p> <p>Base</p>	<p>8</p>  <p>Quantity of 1</p> <p>Middle Upper Front Panel</p>
<p>9</p>  <p>Quantity of 1</p> <p>Middle Left Front Panel</p>	<p>10</p>  <p>Quantity of 1</p> <p>Middle Right Front Panel</p>
<p>11</p>  <p>Quantity of 2</p> <p>Insert Fixed Bar</p>	<p>12</p>  <p>Quantity of 1</p> <p>Insert</p>

Care and Cleaning Instructions:

Before using, wipe with a clean, dry cloth. Periodically apply furniture wax to renew the finish. Avoid rubbing or scratching the surface with rough or abrasive objects. For replacement parts or questions, please

Call Customer Service at 1-800-633-5096 for assistance, questions, or parts.

Assembly Tool Required
No.2 Phillips Screwdriver (Not Included)



"ELKMONT" FIREPLACE

Assembly Instructions

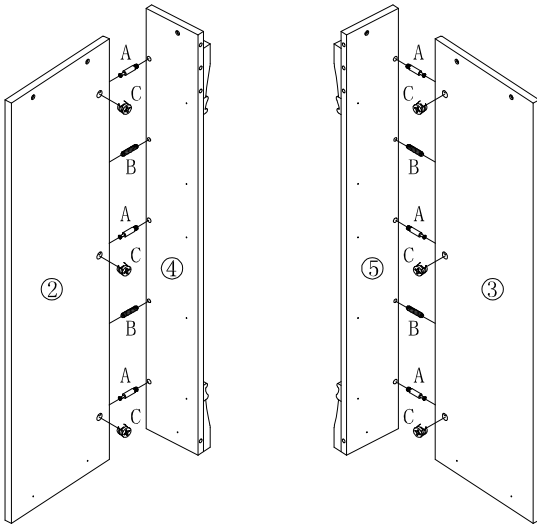


Figure 1

Insert Cam Bolts (A) and Wood Dowels (B) to the related holes on Left Front Panel (4) and Right Front Panel (5), then, insert Cam Locks (C) into related holes on Left Side Panel (2) and Right Side Panel (3).

Connect Left Side Panel (2) to Left Front Panel (4), and Right Side Panel (5) to Right Front Panel (5) by insert the Wood Dowels (B) and Cam Bolts (A) into the corresponding holes

Turn Cam Locks (C) clockwise to tighten.

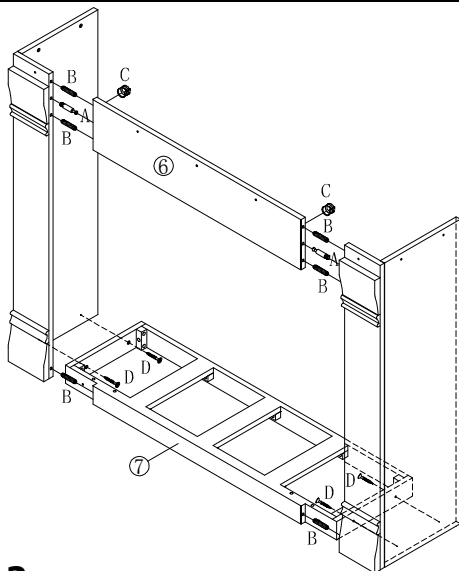


Figure 2

Screw Cam Bolts (A) and insert Wood Dowels (B) into the related holes on Left Front Panel (4) and Right Front Panel (5).

Insert Cam Locks (C) and attach Middle Front Panel (6) to Right Front Panel (5) by inserting Wood Dowels (B) and Cam Bolt (A) into related holes. Turn Cam Lock (C) to secure.

Attach Base (7) to Right Front Panel (5) by inserting Wood Dowel (B) into related hole and securing with Wood Screws (D).

Repeat steps to attach Left Front Panel (4).

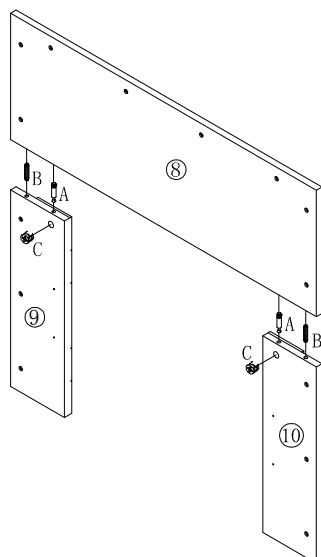


Figure 3

Screw Cam Bolts (A) and insert Wood Dowels (B) into related holes in Middle Upper Front Panel (8).

Insert Cam Locks (C) into related holes on Middle Left Front Panel (9) and Middle Right Front Panel (10). Attach to Middle Upper Front Panel (8) by inserting Wood Dowels (B) and Cam Bolts (A) into related holes and secure by turning Cam Locks (C) clockwise.

"ELKMONT" FIREPLACE Assembly Instructions

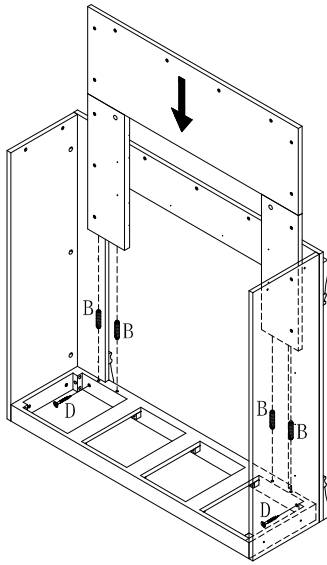


Figure 4

Insert Wood Dowels (B) into related holes on Base (7).

Attach assembled unit from Figure 3 to base (7) by inserting Wood Dowels (B) into related holes.

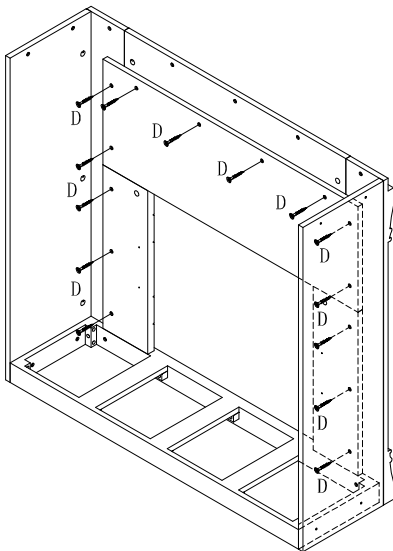


Figure 5

Secure assembled unit from Figure 3 onto the assembled unit from Figure 2 using Wood Screws (D).

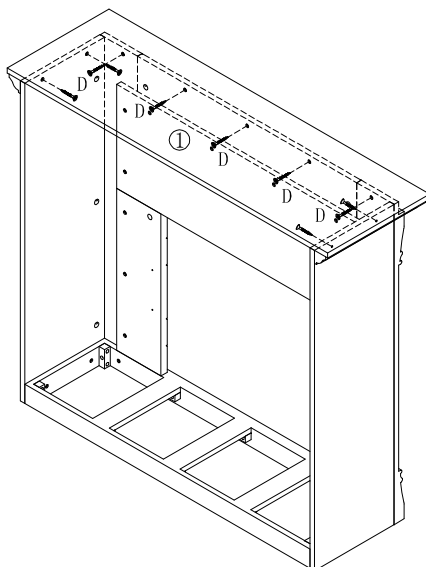
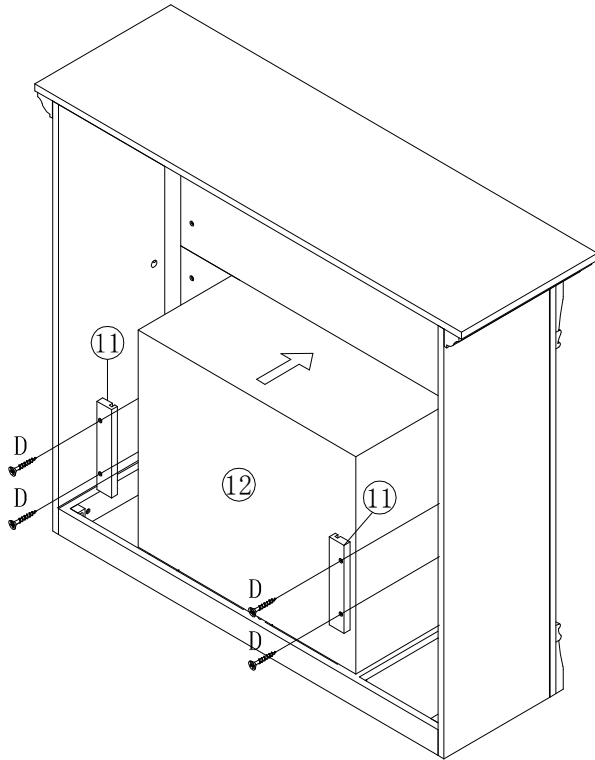


Figure 6

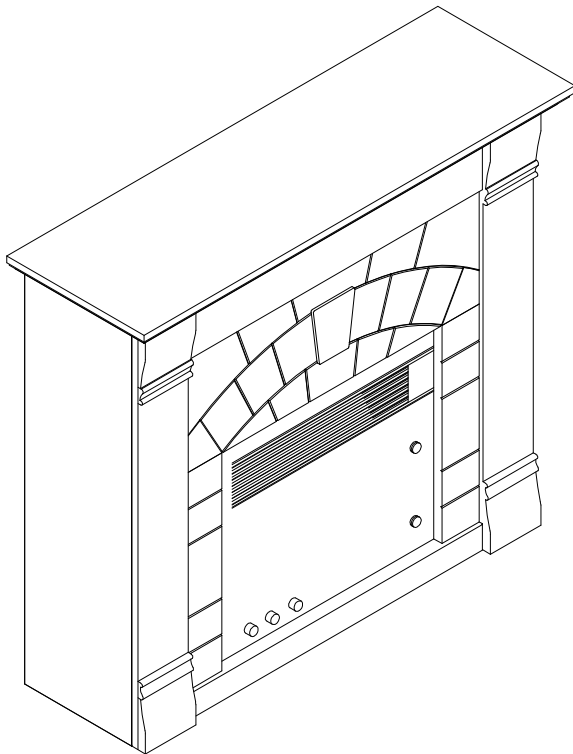
Attach Top Panel (1) to the assembled unit using Wood Screws (D).

"ELKMONT" FIREPLACE Assembly Instructions



Gently slide the Insert through the rear of the mantel. Secure with Fixed Bars (11) and Wood Screws (D).

Figure 7



Top panel support up to 85 lb.

Figure 8



Southern
ENTERPRISES

Customer Service 1-800-633-5096

service@seidal.com

Southern Enterprises, Inc.
600 Freeport Parkway, Suite 200
Coppell, Texas, 75019

FA928200TX - Parts Replacement Form

Customer Information

Name _____

Address _____

City/State/Zip Code _____

Phone Number _____

Please indicate where you purchased this item: Store/Website/Catalog

Please indicate color/size/style number:

Style No	Parts Letter	Parts Description	Quantity Needed
_____	_____	_____	_____
_____	_____	_____	_____
_____	_____	_____	_____

Missing or damaged hardware and/or parts will be replaced free of charge. We do not sell parts. Southern Enterprises Inc. will provide replacement parts for only those items purchased within the last 9 months. If this product has not been purchased from our retail affiliates (within 9 months), we are under no obligation to provide parts or replacement merchandise. Parts will not be available for items arriving fully assembled. Parts will be sent if available from SEI

Please contact Southern Enterprises at 800-633-5096 or in Dallas (972) 869-0111/ 9am – 4pm Mon-Fri Central time if you have product issues with your purchase. Please ask for a customer service representative for issues involving damages or replacement parts. Please ask for a technical assistance representative for any issues with product assembly and product construction.

Please contact the retailer that you purchased from for returns.

We'd love to hear from you! Email us photos of our products in your home at sei@seidal.com and we might feature it on our site or use it to model one of our inspirational photos