

HZ640800TX

Jazmin Over-the-Door Makeup

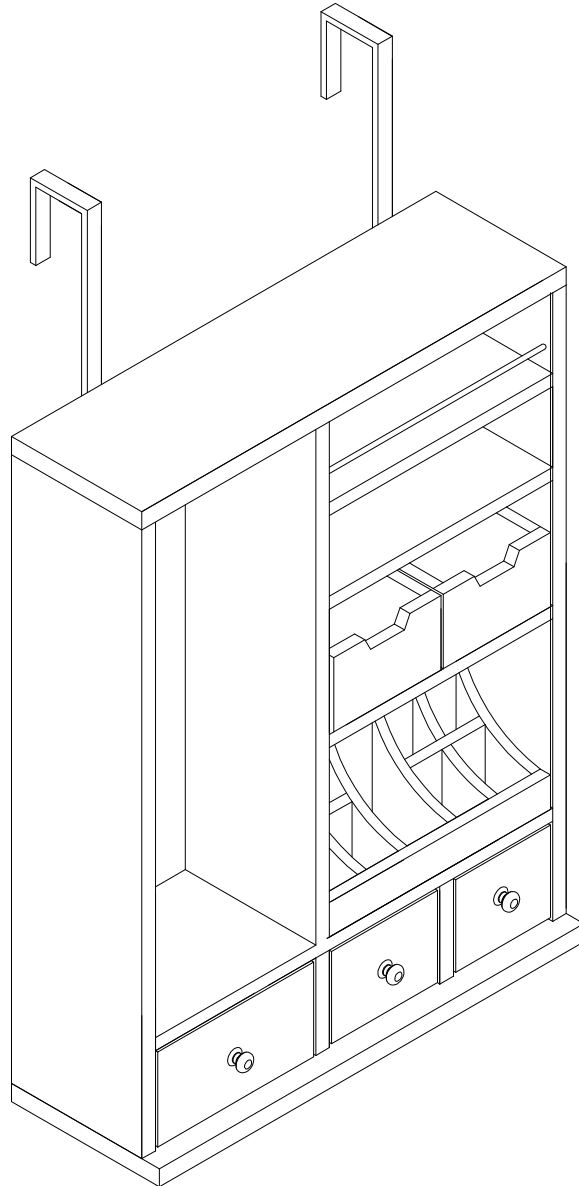
Mirror / Organizer

Assembly Instructions



Southern
ENTERPRISES

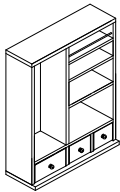
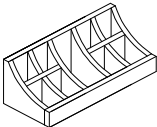
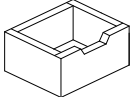
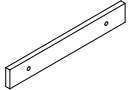

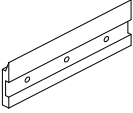
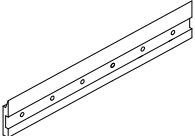
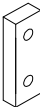
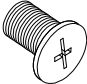
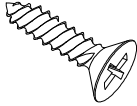
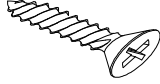
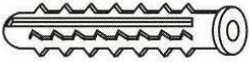
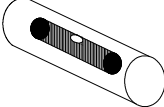
For assistance with assembly, contact:
Southern Enterprises Inc.
Customer Service 1-800-633-5096
service@seidal.com
www.seifurniturestore.com



Jazmin Over-the-Door Makeup Mirror / Organizer

Parts List

Please check packaging for all parts and hardware before discarding. Unpack and lay parts on clean, padded surface like carpet or a blanket. Check that you have all parts indicated. Call customer service if any hardware is missing. Before beginning assembly, carefully study the diagrams below and sort your hardware according to the pictures. Using the incorrect hardware will cause damage.

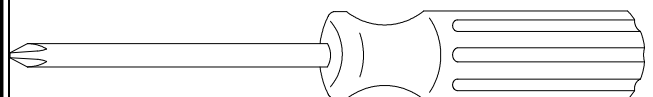
1.  Cabinet	Quantity of 1	2.  Cubby	Quantity of 1	3.  Drawer	Quantity of 2
4.  Back Rail	Quantity of 1	5.  Metal Hook	Quantity of 2	6.  Short Metal Cleat	Quantity of 2
7  Long Metal Cleat	Quantity of 1	8  Wood Stopper	Quantity of 2		
A.  Bolt	Quantity of 10 $\varnothing 1/4" \times 1/2" L$	B.  Short Screw	Quantity of 12 $\varnothing 1/8" \times 5/8" L$	C.  Long Screw	Quantity of 6 $\varnothing 1/8" * 1-1-1/2" L$
D.  Wall Anchor	Quantity of 6	E  Level	Quantity of 1		

Care and Cleaning Instructions:

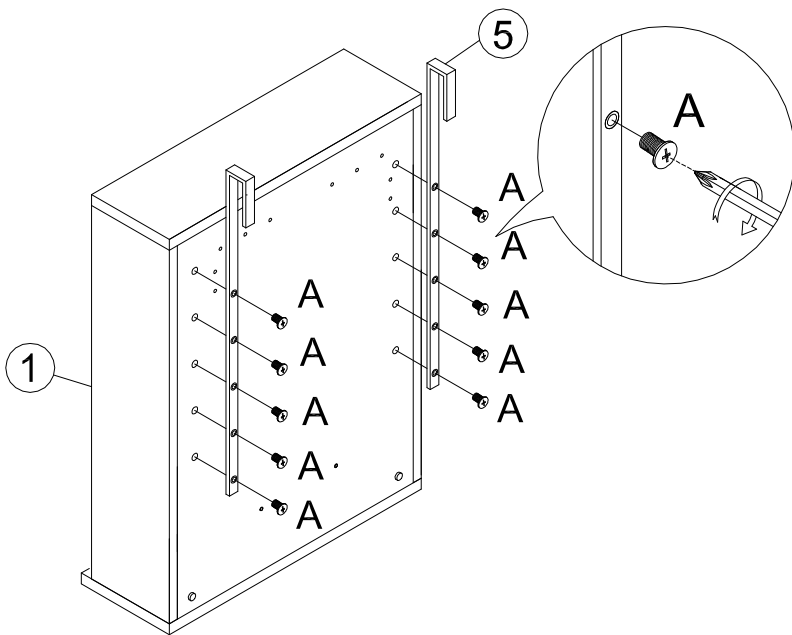
Before using, wipe with a clean, dry cloth. Avoid rubbing or scratching the surface with rough or abrasive objects.

For replacement parts or questions, please call SEI customer service at 1-800-633-5096.

Assembly Tools Required: No.2 Phillips Screwdriver, Power Drill, Hammer (Not Included)



Jazmin Over-the-Door Makeup Mirror / Organizer Assembly Instructions

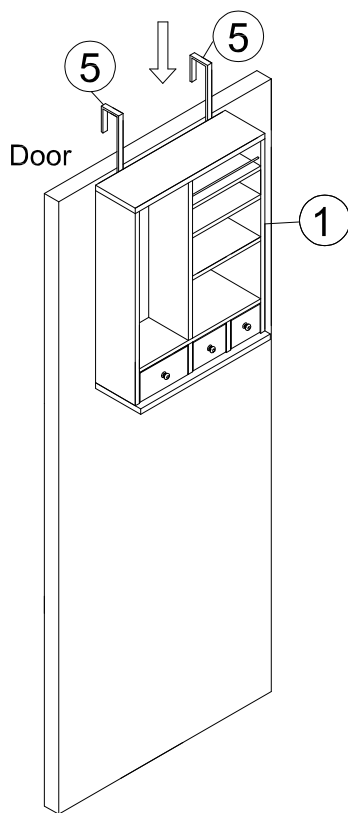


Mount over the door:

Attach Metal Hooks (5) to Cabinet (1) using Bolts (A).

Tighten Bolts (A) with Phillips screwdriver (not included).

Figure 1



Hang the assembled unit over the door.

Figure 2

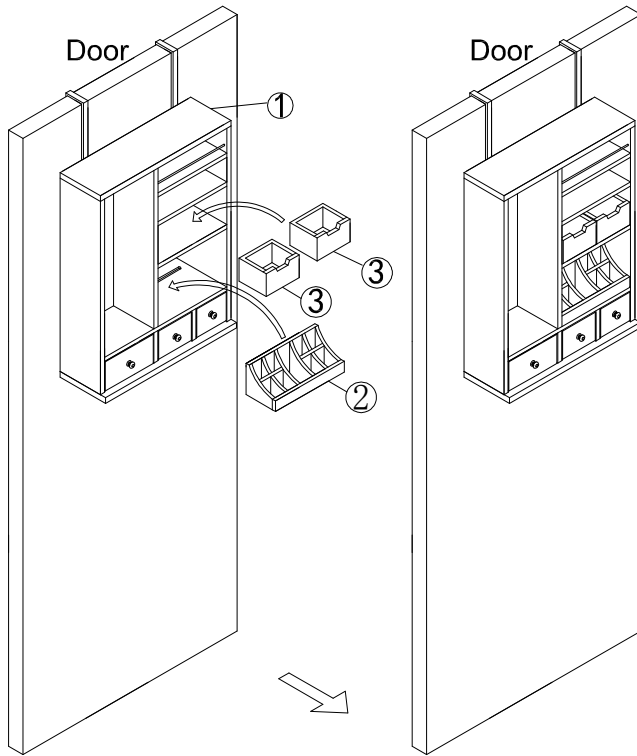


Figure 3

Place Cubby (2) and Drawers (3) inside Cabinet (1).

Now your Jazmin Over-The-Door Makeup Mirror / Organizer is ready to use on the door.

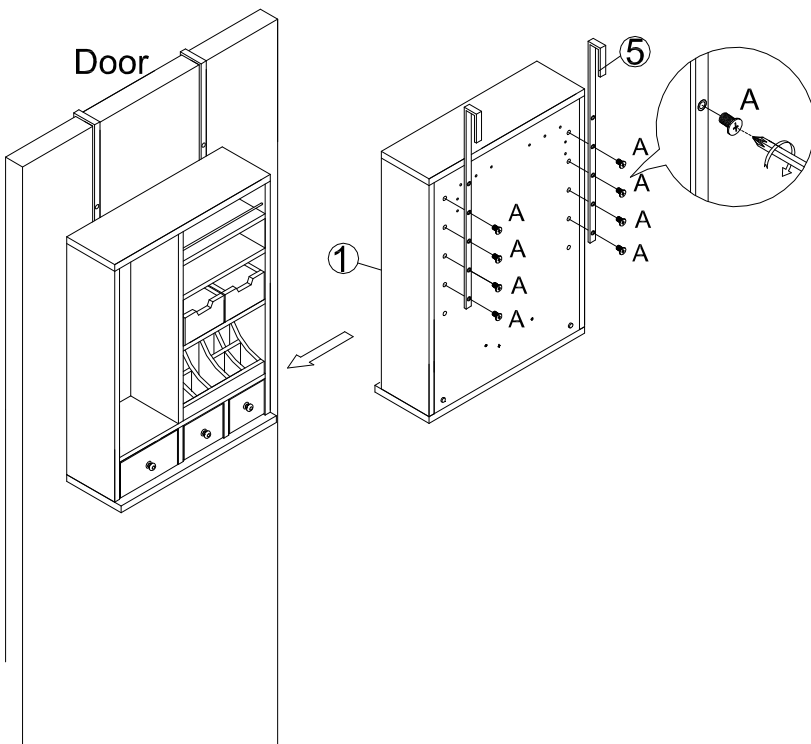


Figure 4

To change the height of the cabinet, return to Step 1 and adjust the hook placement.

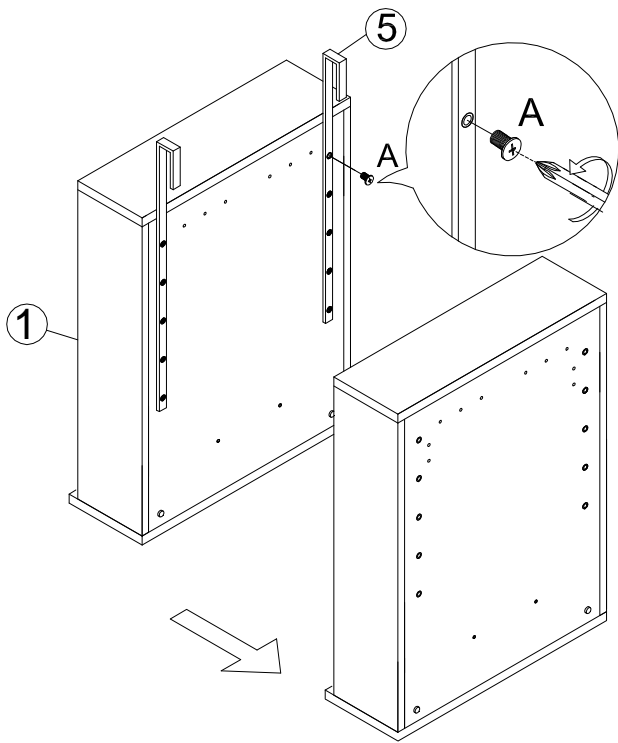


Figure 5

Wall Mount:

Take the assembled unit down from the door and take the Cubby (2) and Drawers (3) off the Cabinet (1).

Unscrew Bolts (A) with Phillips screwdriver (not included).

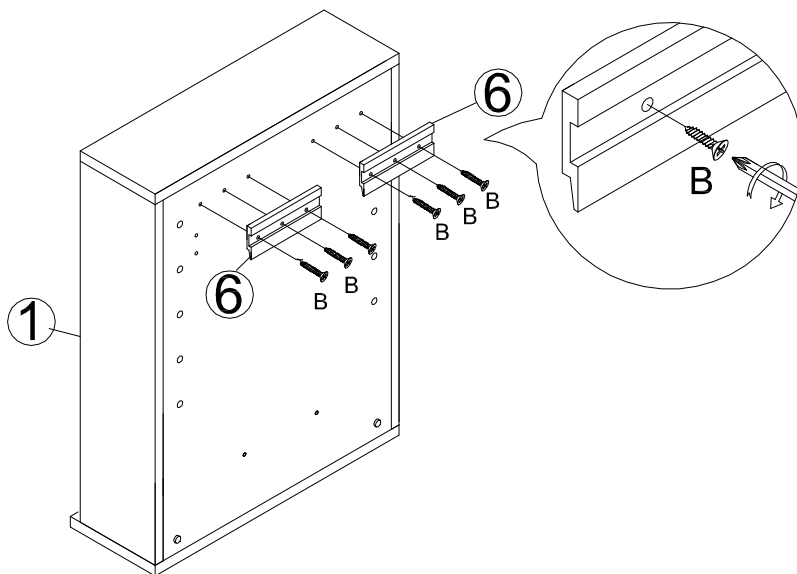
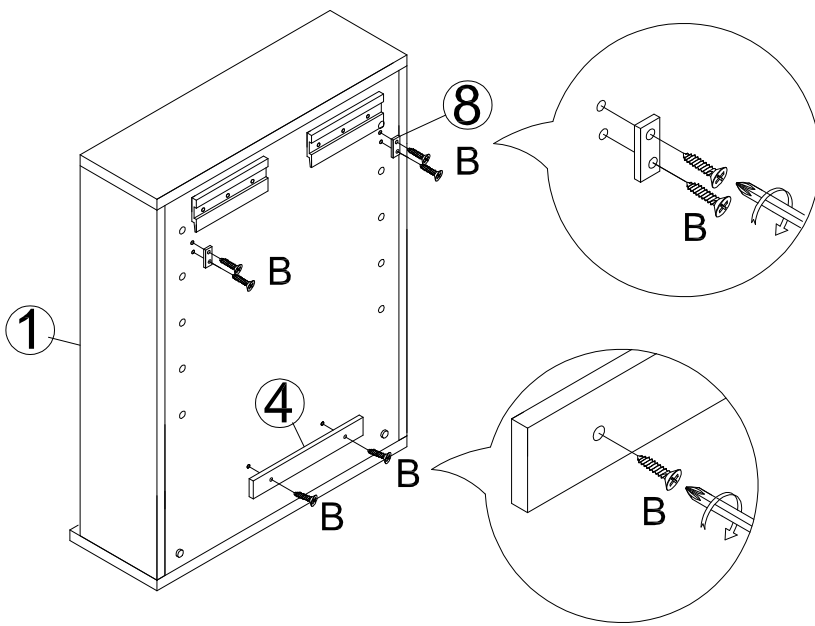


Figure 6

Attach Short Metal Cleat (6) to Cabinet (1) using Short Screws (B).

Tighten Short Screw (B) with Phillips screwdriver (not included).



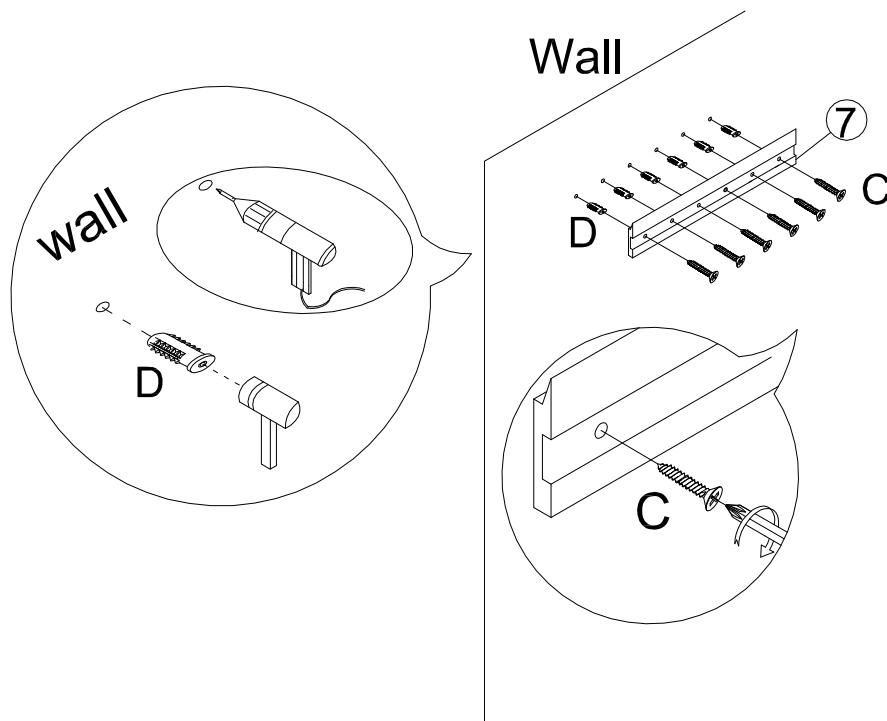
Attach Wood Stoppers (8) to Cabinet (1) using Short Screws (B).

Tighten Short Screws (B) with Phillips screwdriver (not included).

Attach Back Rail (4) to Cabinet (1) using Short Screws (B).

Tighten Short Screws (B) with Phillips screwdriver (not included).

Figure 7



Mark 6 locations on the wall, matching 6 holes on Long Metal Cleat (7).

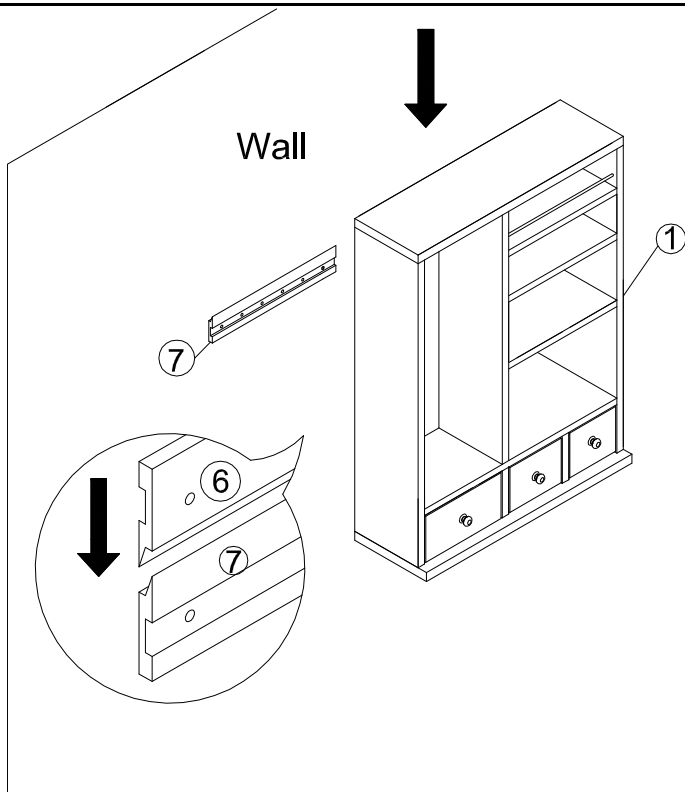
Drill six 3/16" holes.

Insert Wall Anchors (D) into the six holes on wall, tapping lightly with hammer (not included) as needed.

Attach Long Metal Cleat (7) to wall using Long Screws (C).

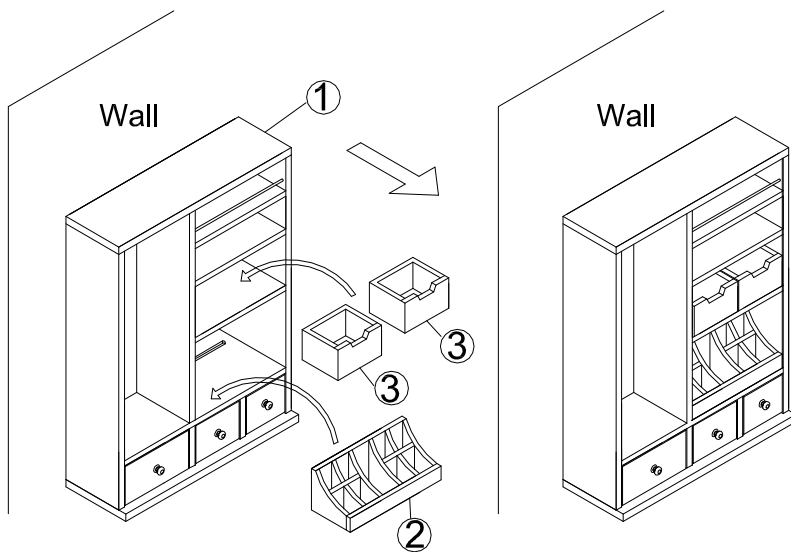
Tighten Long Screws (C) with Phillips screwdriver (not included).

Figure 8



Lift Cabinet **(1)** and slide Cleats together **(6/7)**.

Figure 9



Place Cubby **(2)** and Drawers **(3)** inside Cabinet **(1)**.

Ensure unit is firmly mounted on wall.

Use Level **(E)** on unit top to ensure product is level.

Now your Jazmin Over-The-Door Makeup Mirror / Organizer is ready to use on the wall.

Figure 10

Parts Replacement Form

Customer Information

Name _____

Address _____

City/State/Zip Code _____

Phone Number _____

Please indicate where you purchased this item: Store/Website/Catalog

Please indicate color/size/style number:

Style No	Parts Letter	Parts Description	Quantity Needed
_____	_____	_____	_____
_____	_____	_____	_____
_____	_____	_____	_____

Please immediately examine this product carefully. Any request for missing parts or damage replacement must be received within 90 days of your receipt of the product. Replacement, if available, will be honored within this time frame. Parts will not be available for items arriving fully assembled. We do not recommend modifying product(s) and we are not responsible for any damages due to product modification(s). If damages or missing parts are not reported within 90 days of your receipt, we are under no obligation to provide parts or replacement merchandise.

Please contact Southern Enterprises at 800-633-5096 or in Dallas 972-869-0111/ 9am – 4pm Mon-Fri Central time if you have product issues or email us at service@seidal.com. Please ask for customer service representative for issues involving damages or replacement parts. Please ask for technical assistance representative for any issues with product and assembly/construction.

Please contact the retailer that you purchased from for returns.



Southern
ENTERPRISES

Customer Service 1-800-633-5096

service@seidal.com

Southern Enterprises, Inc.

600 Freeport Parkway, Suite 200

Coppell, Texas 75019