

HO877600TX – Black

HO377600TX – Gold

HO077600TX - Silver

**Metal/Glass Writing Desk
Assembly Instructions**



Southern
ENTERPRISES

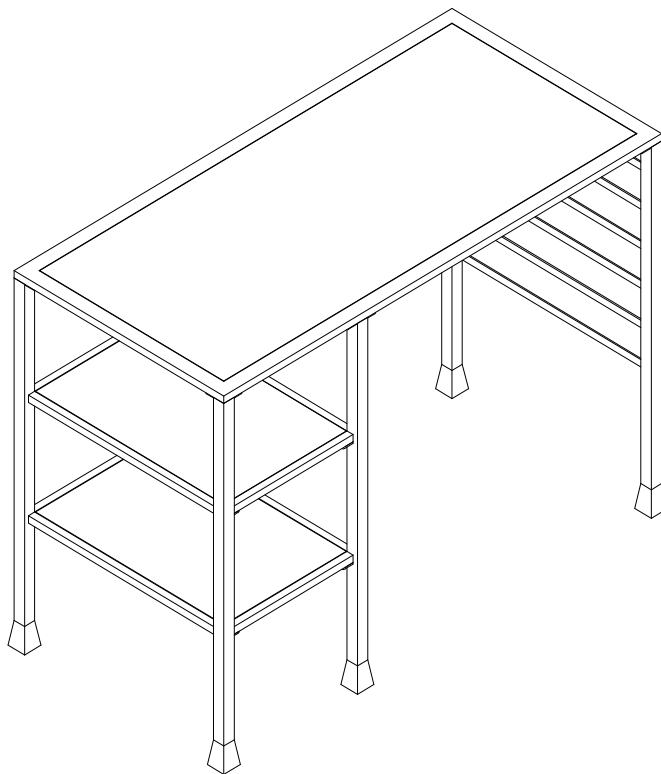
For assistance with assembly, contact:
Southern Enterprises Inc.
Customer Service 1-800-633-5096
service@seidal.com
www.seidal.com

PO:13588

Support loading capacities

Top: max 50 lbs

Shelves: max 20 lbs each

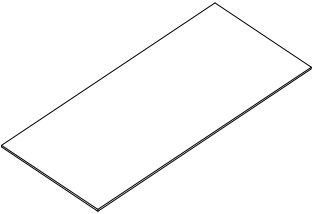
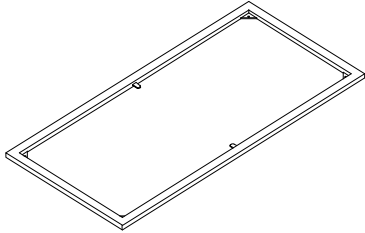
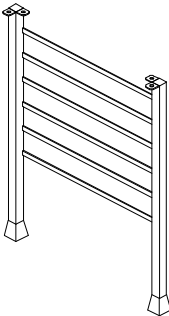
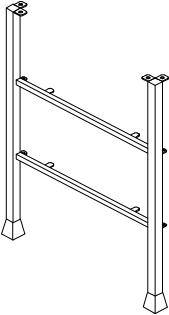
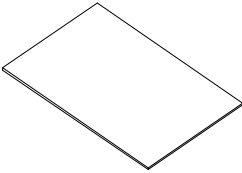
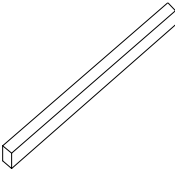
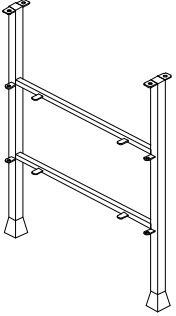
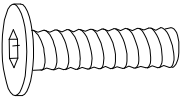


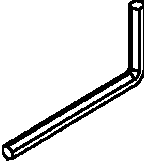


HO877600TX - Black HO377600TX - Gold HO077600TX - Silver

Metal/Glass Writing Desk

Parts List

Please review all parts and hardware before disposing of any packaging.
Before beginning assembly, separate each type of hardware. Carefully study the diagrams below and check that you have all parts indicated. Call Customer Service if missing hardware. Using the incorrect hardware will cause damage.

1	1PC	2	1PC	3	1PC
					
Glass Top		Top Frame		Side Panel W/ Flat Bars	
4	1PC	5	2PCS	6	4PCS
					
Side Panel		Glass Shelf		Stretcher	
7	1PC				
					
Center Panel					
A	20PCS	B	20PCS	C	14PCS
					
Bolt 1/4"X1/2"		Flat Washer		Glass Pad	
				D	1PC
					
				Allen Wrench	

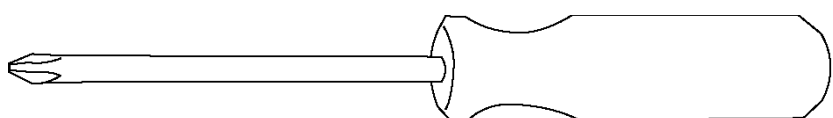
Care and Cleaning Instructions:

Before using, wipe with a clean, dry cloth.
Avoid rubbing or scratching the surface with rough or abrasive objects.

For replacement parts or questions, please
Call Customer Service at 1-800-633-5096.

Assembly Tool Required

No.2 Phillips Screwdriver



HO877600TX - Black HO377600TX - Gold HO077600TX - Silver

Metal/Glass Writing Desk Assembly Instructions

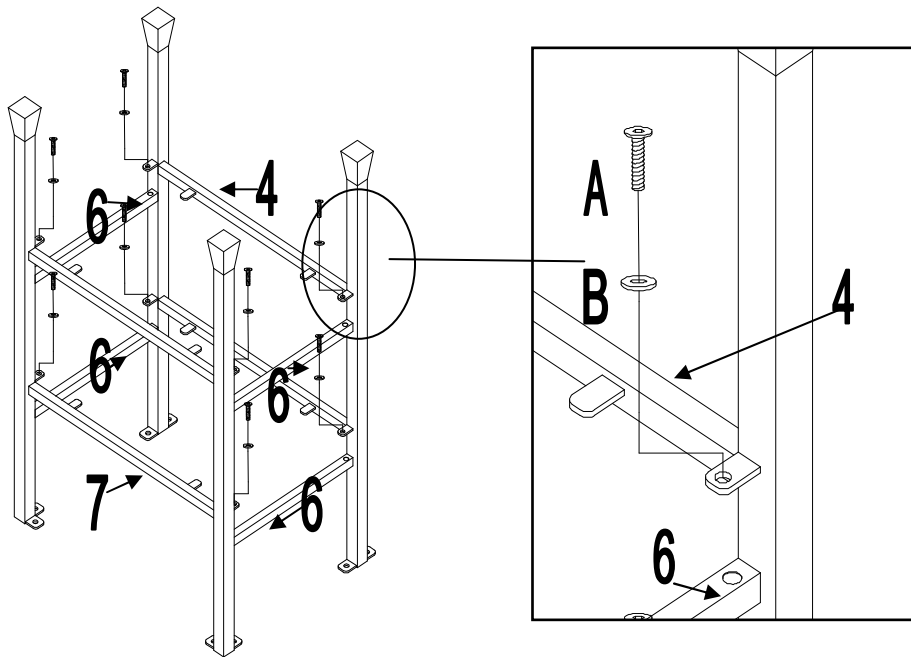


Figure 1

Step 1:

Notice: Please do not tighten screws completely until all the screws are in place.

Unit assembly should begin with parts turned upside down for Step 1

Attach Stretchers (6) to Side Panel (7) and Center Panel (4) using Screws (A) and Flat Washers (B) as shown.

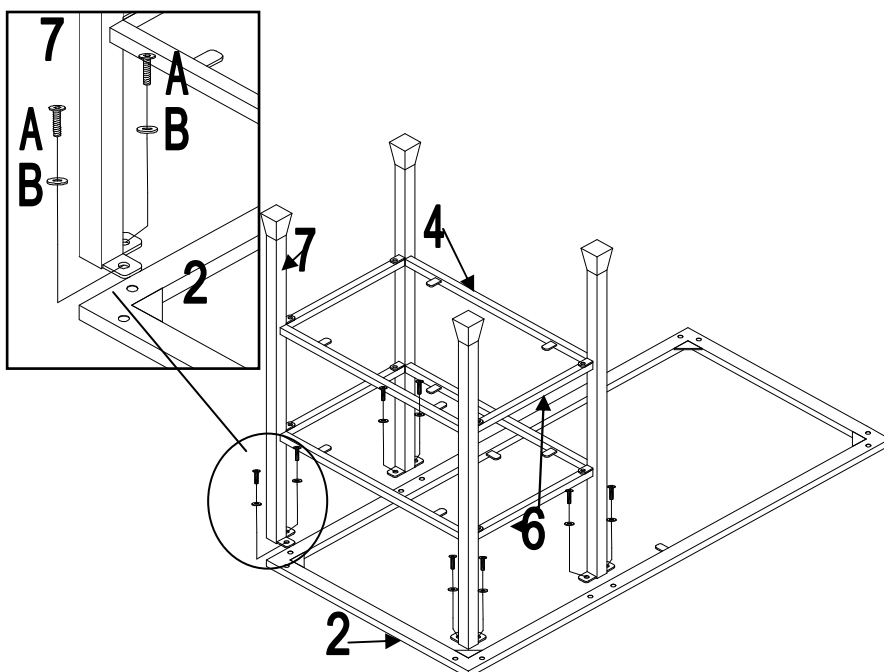
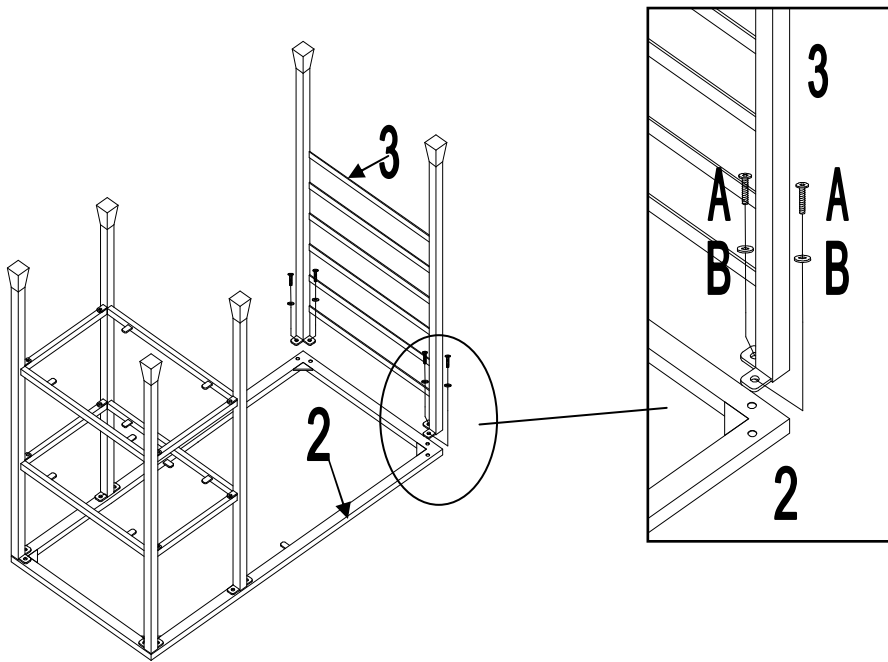


Figure 2

Step 2:

Attach the assembled parts to Top Frame (2) using Screw (A) and Flat Washers (B). Completely tighten all Bolts.

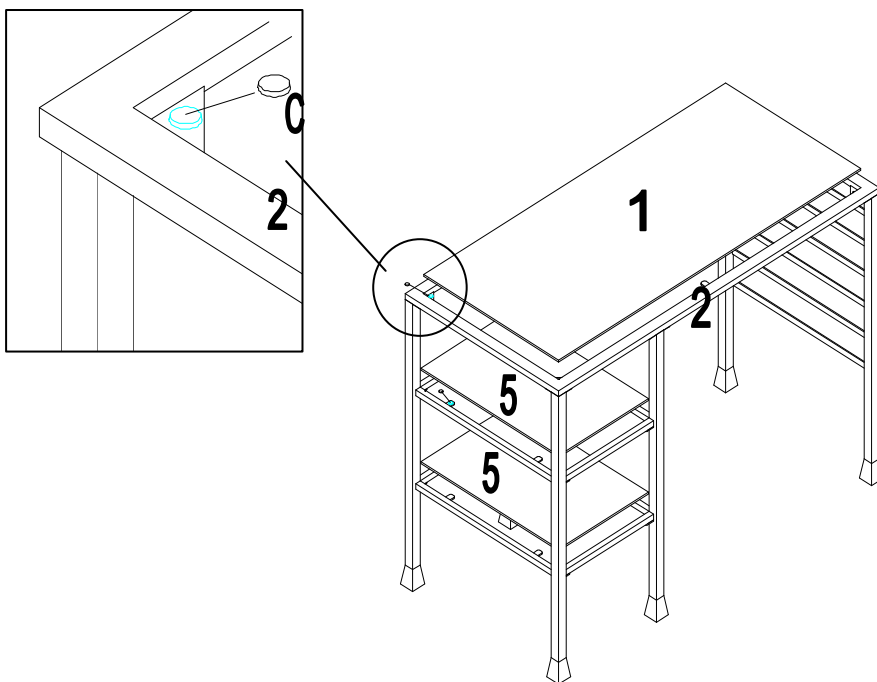
Notice: Make sure that Center Panel (4) is installed towards the center.



Step 3:

Using Screws **(A)** and Flat Washers **(B)**, attach Side Panel W/ Flat Bar **(3)** to Top Frame **(2)**.

Figure 3



Step 4:

Turn the assembled metal base upright; then, stick Glass Pads **(C)** to the brackets on the assembled metal base before placing Glass Top **(1)** and Glass Shelves **(5)** as shown.

Figure 4



Southern
ENTERPRISES

Customer Service 1-800-633-5096
service@seidal.com
 Southern Enterprises, Inc.
 600 Freeport Parkway, Suite 200
 Coppell, Texas 75019

Parts Replacement Form

Customer Information

Name _____

Address _____

City/State/Zip Code _____

Phone Number _____

Please indicate where you purchased this item: Store/Website/Catalog

Please indicate color/size/style number:

Style No	Parts Letter	Parts Description	Quantity Needed
_____	_____	_____	_____
_____	_____	_____	_____

Please immediately examine this product carefully. Any request for missing parts or damage replacement must be received within 90 days of your receipt of the product. Replacement, if available, will be honored within this time frame. Parts will not be available for items arriving fully assembled. We do not recommend modifying product(s) and we are not responsible for any damages due to product modification(s). If damages or missing parts are not reported within 90 days of your receipt, we are under no obligation to provide parts or replacement merchandise.

Please contact Southern Enterprises at 800-633-5096 or in Dallas 972-869-0111/ 9am – 4pm Mon-Fri Central time if you have product issues or email us at service@seidal.com. Please ask for customer service representative for issues involving damages or replacement parts. Please ask for technical assistance representative for any issues with product and assembly/construction.

Please contact the retailer that you purchased from for returns.



Southern
ENTERPRISES

Customer Service 1-800-633-5096
service@seidal.com
Southern Enterprises, Inc.
600 Freeport Parkway, Suite 200
Coppell, Texas 75019