

OD662200TX

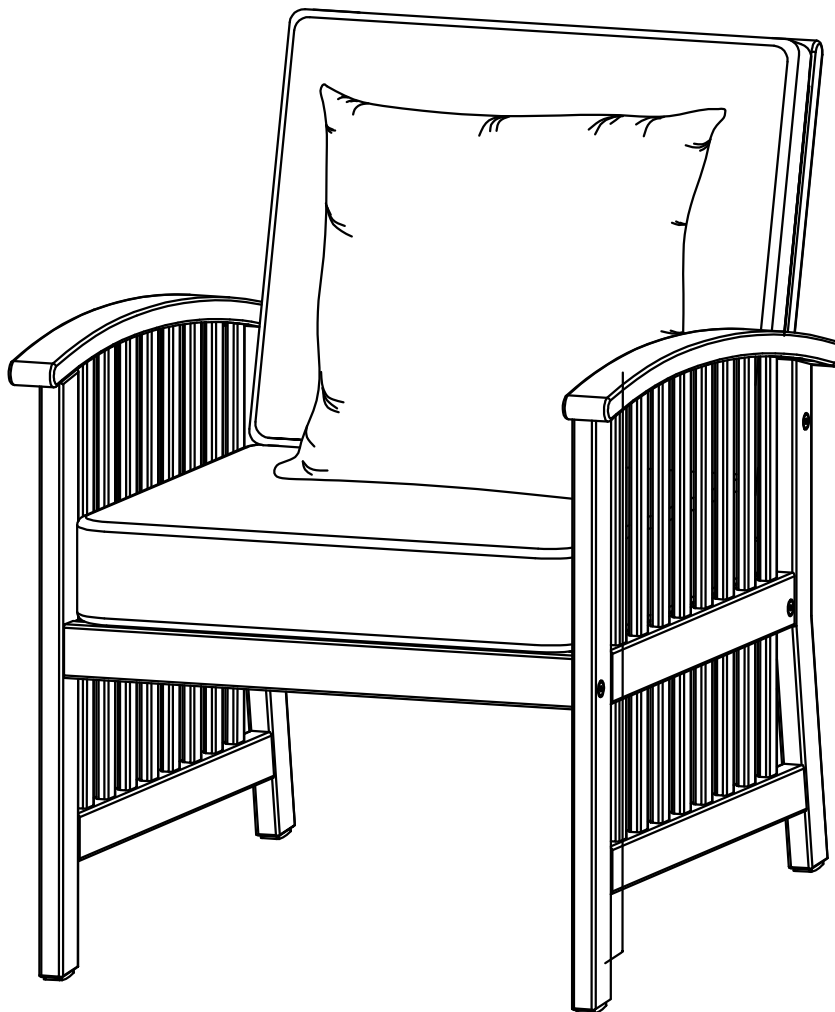
Pair - Catania Outdoor
Deep Seating Armchairs

Assembly Instructions



Southern
ENTERPRISES

For assistance with assembly contact:
Southern Enterprises Inc.
Customer Service 1-800-633-5096
service@seidal.com
www.seidal.com

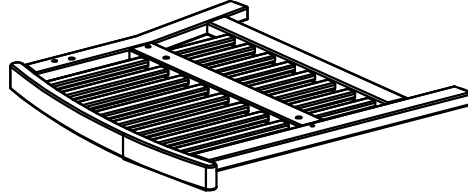


OD662200TX - Pair - Catania Outdoor Deep Seating Armchairs Parts List

Please review all parts and hardware before disposing of any packaging. Call Customer Service if missing hardware. Screws shown in actual size. Using a screw that is too long will cause damage. Before beginning assembly, separate each type of screw. Carefully study the screw diagrams below. You may receive extra hardware with your unit.

A.

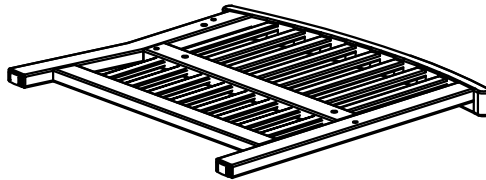
Quantity
of 1



Left Leg Frame

B.

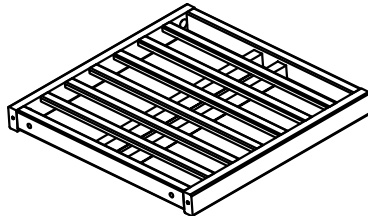
Quantity
of 1



Right Leg Frame

C.

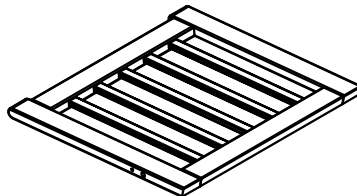
Quantity
of 1



Seat Frame

D.

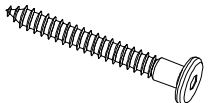


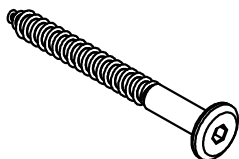
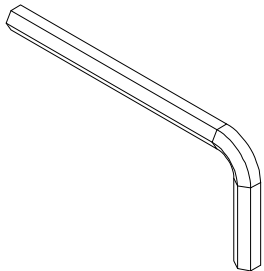
Quantity
of 1

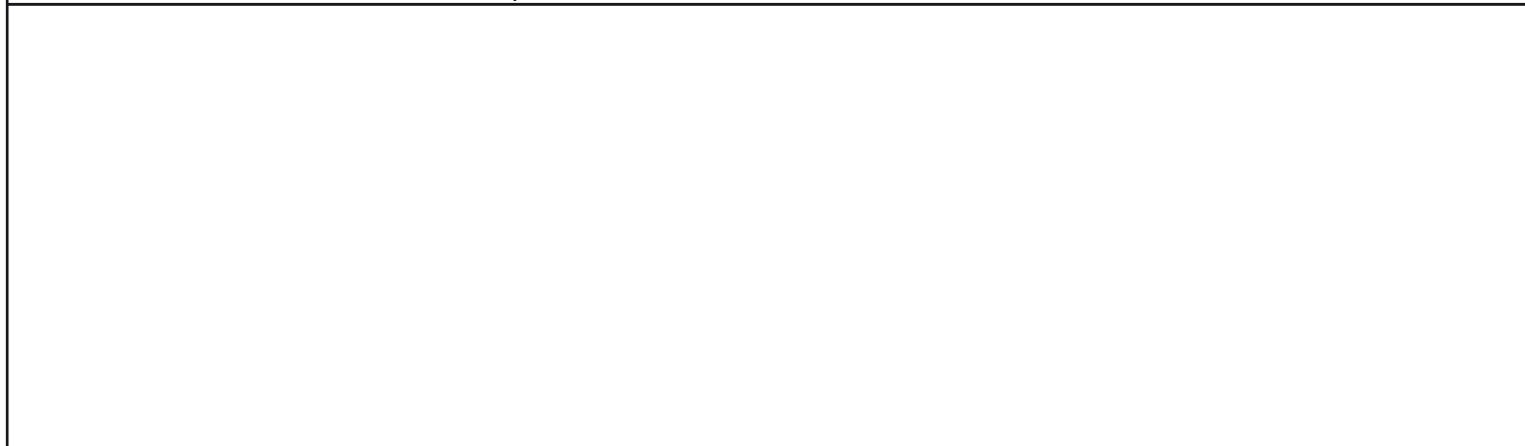


Back Frame

OD662200TX - Pair - Catania Outdoor Deep Seating Armchairs Parts List

Please review all parts and hardware before disposing of any packaging. Call Customer Service if missing hardware. Screws shown in actual size. Using a screw that is too long will cause damage. Before beginning assembly, separate each type of screw. Carefully study the screw diagrams below. You may receive extra hardware with your unit.

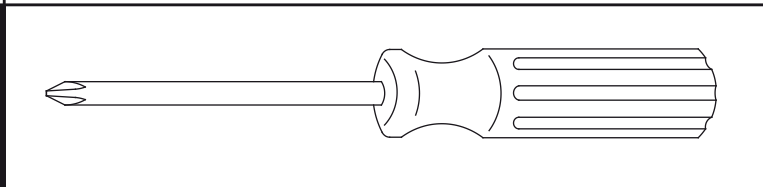
<p>1. Quantity of 2</p>  <p>Short F-Screw 7x 60</p>	<p>2. Quantity of 8</p>  <p>Wooden Dowel 10x30</p>	<p>3. Quantity of 4</p>  <p>Cross Nut ø20x4</p>
<p>4. Quantity of 4</p>  <p>Long F- Crew 7x70</p>	<p>5. Quantity of 1</p>  <p style="text-align: center;">Allen wrench 4x98</p>	



Care and Cleaning Instructions:
 Before using, wipe with a clean, dry cloth. Periodically apply furniture wax to renew the finish . Avoid rubbing or scratching the surface with rough or abrasive objects.

For replacement parts or questions, please Call Customer Service at 1-800-633-5096

Assembly Tool Required No.2 Phillips Screwdriver (Not included)



OD662200TX - Pair - Catania Outdoor Deep Seating Armchairs Assembly Instructions

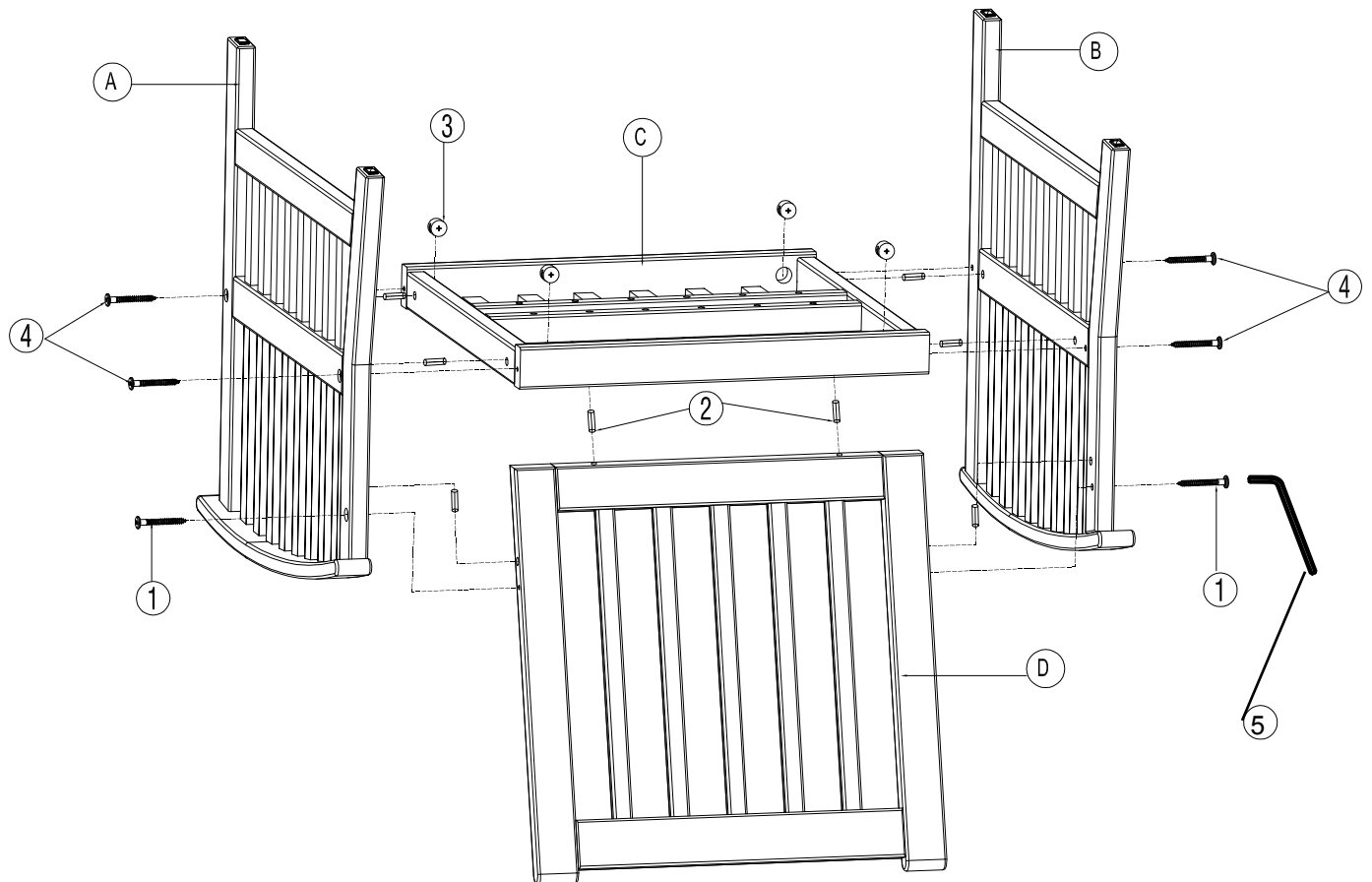


Figure 1

Attach the Left Leg Frame (A) and Right Leg Frame (B) into Seat Frame (C) and insert the Wooden Dowel (2) and Cross Nut (3) into Seat Frame (C) then using the Long F-Screw 7x70 (4) to tighten. Attach Back Frame (D) to Leg Frames and insert Wooden Dowel (2) then using Short F-Screw 7x60 (1) to tighten. Tighten all F-Screw with allen wrench (5).

Parts Replacement Form

Customer Information

Name _____

Address _____

City/State/Zip Code _____

Phone Number _____

Please indicate where you purchased this item: Store/Website/Catalog

Please indicate color/size/style number:

Style No	Parts Letter	Parts Description	Quantity Needed
----------	--------------	-------------------	-----------------

Please immediately examine this product carefully. Any request for missing parts or damage replacement must be received within 90 days of your receipt of the product. Replacement, if available, will be honored within this time frame. Parts will not be available for items arriving fully assembled. We do not recommend modifying product(s) and we are not responsible for any damages due to product modification(s). If damages or missing parts are not reported within 90 days of your receipt, we are under no obligation to provide parts or replacement merchandise.

Please contact Southern Enterprises at 800-633-5096 or in Dallas 972-869-0111/ 9am – 4pm Mon-Fri Central time if you have product issues or email us at service@seidal.com. Please ask for customer service representative for issues involving damages or replacement parts. Please ask for technical assistance representative for any issues with product and assembly/construction.

Please contact the retailer that you purchased from for returns.



Southern
ENTERPRISES

Customer Service 1-800-633-5096
service@seidal.com
Southern Enterprises, Inc.
600 Freeport Parkway, Suite 200
Coppell, Texas 75019

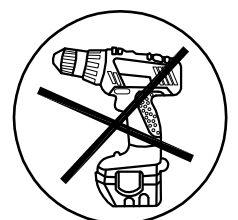
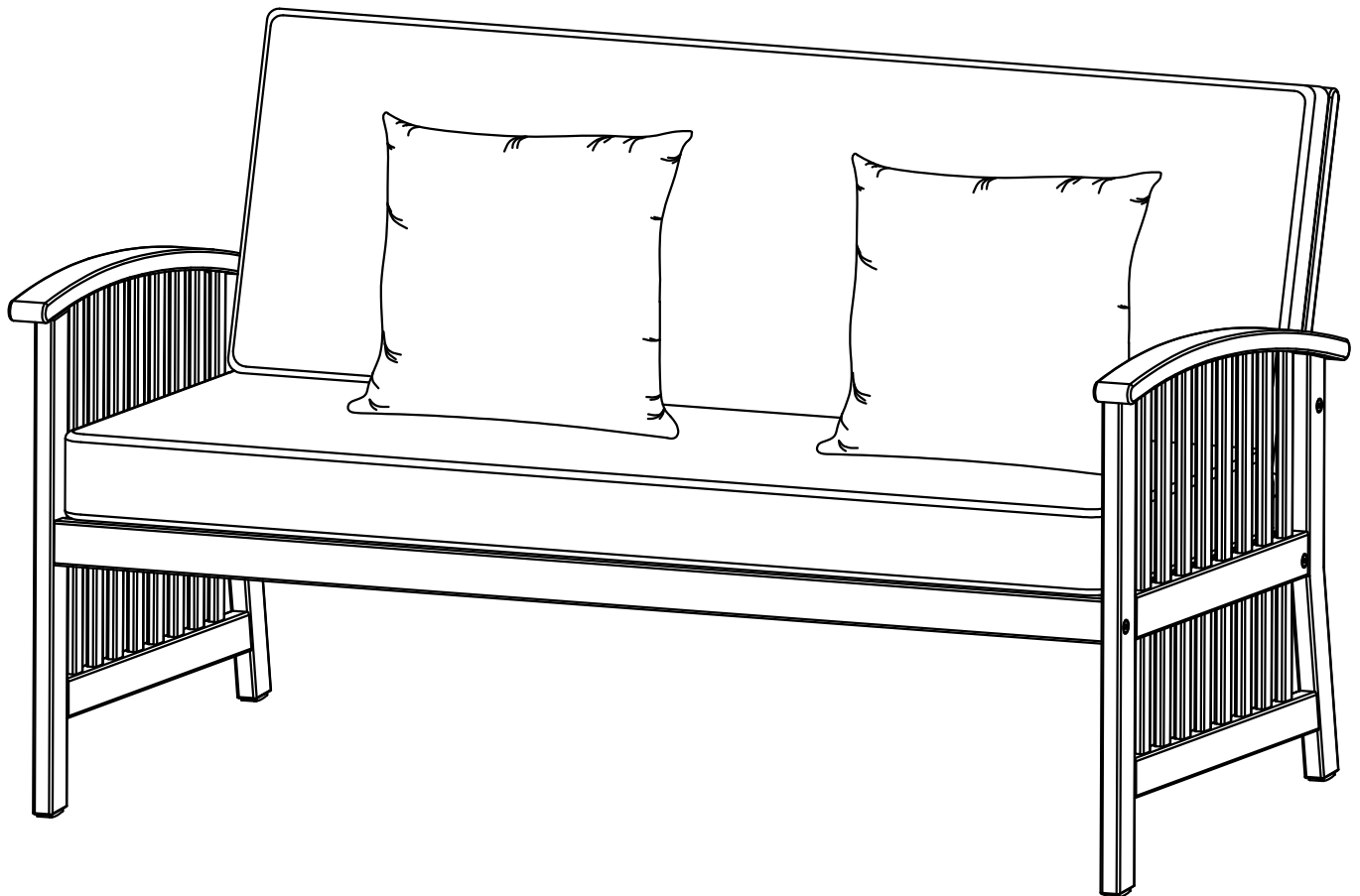
OD662100TX
Catania Outdoor
Deep Seating Sofa

Assembly Instructions



Southern
ENTERPRISES

For assistance with assembly contact:
Southern Enterprises Inc.
Customer Service 1-800-633-5096
service@seidal.com
www.seidal.com

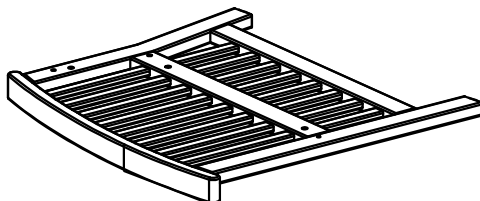


OD662100TX - Catania Outdoor Deep Seating Sofa Parts List

Please review all parts and hardware before disposing of any packaging. Call Customer Service if missing hardware. Screws shown in actual size. Using a screw that is too long will cause damage. Before beginning assembly, separate each type of screw. Carefully study the screw diagrams below. You may receive extra hardware with your unit.

A.

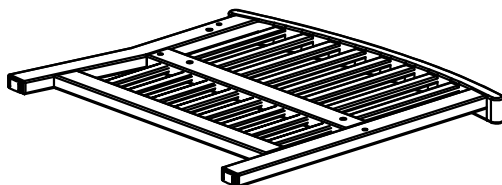
Quantity
of 1



Right Leg Frame

B.

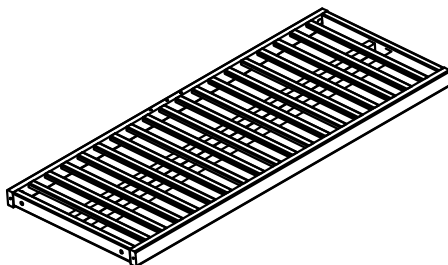
Quantity
of 1



Left Leg Frame

C.

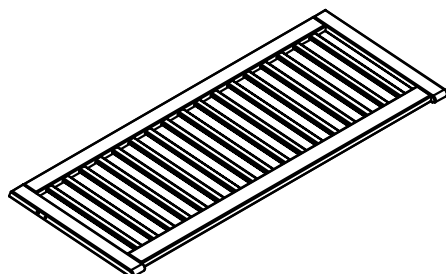
Quantity
of 1



Seat Frame

D.

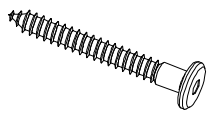
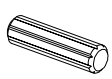
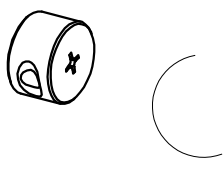
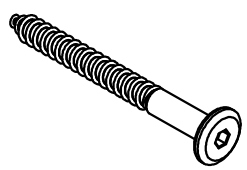
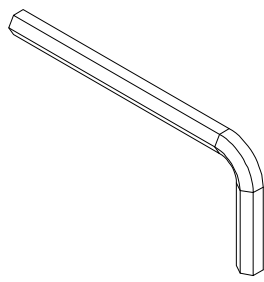
Quantity
of 1



Back Frame

OD662100TX - Catania Outdoor Deep Seating Sofa Parts List

Please review all parts and hardware before disposing of any packaging. Call Customer Service if missing hardware. Screws shown in actual size. Using a screw that is too long will cause damage. Before beginning assembly, separate each type of screw. Carefully study the screw diagrams below. You may receive extra hardware with your unit.

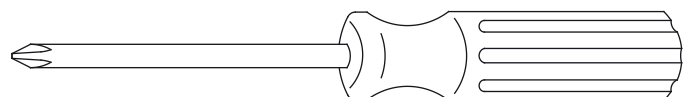
<p>1. Quantity of 4</p>  <p>Short F-Screw 7x 60</p>	<p>2. Quantity of 9</p>  <p>Wooden Dowel 10x30</p>	<p>3. Quantity of 4</p>  <p>Cross Nut ø20x4</p>
<p>4. Quantity of 4</p>  <p>Long F- Crew 7x70</p>	<p>5. Quantity of 1</p>  <p>Allen wrench 4x98</p>	

Care and Cleaning Instructions:

Before using, wipe with a clean, dry cloth. Periodically apply furniture wax to renew the finish . Avoid rubbing or scratching the surface with rough or abrasive objects.

For replacement parts or questions, please Call Customer Service at 1-800-633-5096

Assembly Tool Required No.2 Phillips Screwdriver (Not included)



OD662100TX - Catania Outdoor Deep Seating Sofa Assembly Instructions

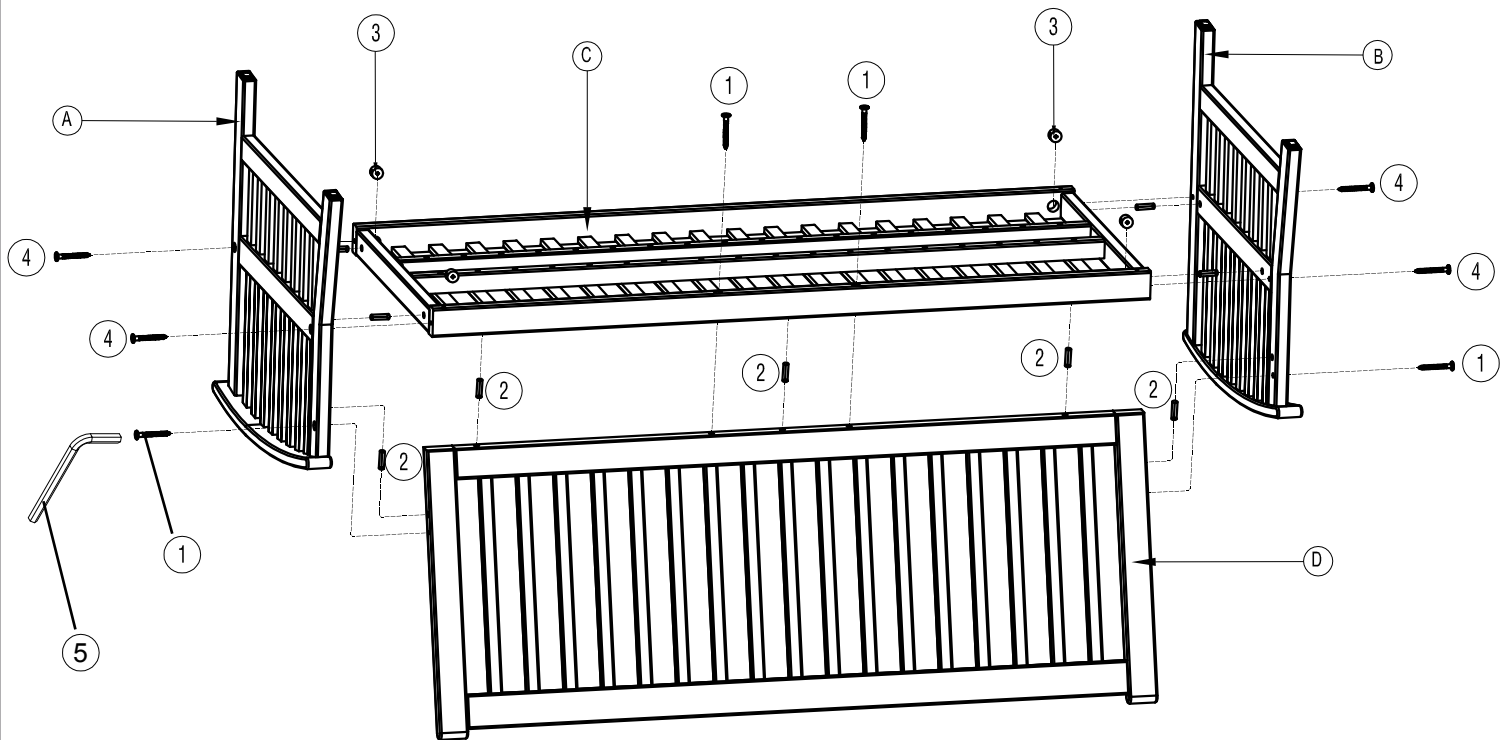


Figure 1

Attach the Right Leg Frame (A) and Left Leg Frame (B) into Seat Frame (C) and insert the Wooden Dowel (2) and Cross Nut (3) into Seat Frame (C) then using the Long F-Screw 7x70 (4) to tighten. Attach Back Frame (D) to Leg Frames and insert Wooden Dowel (2) then using Short F-Screw 7x60 (1) to tighten. Tighten all F-Screw with allen wrench 5.

Parts Replacement Form

Customer Information

Name _____

Address _____

City/State/Zip Code _____

Phone Number _____

Please indicate where you purchased this item: Store/Website/Catalog

Please indicate color/size/style number:

Style No	Parts Letter	Parts Description	Quantity Needed
----------	--------------	-------------------	-----------------

Please immediately examine this product carefully. Any request for missing parts or damage replacement must be received within 90 days of your receipt of the product. Replacement, if available, will be honored within this time frame. Parts will not be available for items arriving fully assembled. We do not recommend modifying product(s) and we are not responsible for any damages due to product modification(s). If damages or missing parts are not reported within 90 days of your receipt, we are under no obligation to provide parts or replacement merchandise.

Please contact Southern Enterprises at 800-633-5096 or in Dallas 972-869-0111/ 9am – 4pm Mon-Fri Central time if you have product issues or email us at service@seidal.com. Please ask for customer service representative for issues involving damages or replacement parts. Please ask for technical assistance representative for any issues with product and assembly/construction.

Please contact the retailer that you purchased from for returns.



Southern
ENTERPRISES

Customer Service 1-800-633-5096
service@seidal.com
Southern Enterprises, Inc.
600 Freeport Parkway, Suite 200
Coppell, Texas 75019