

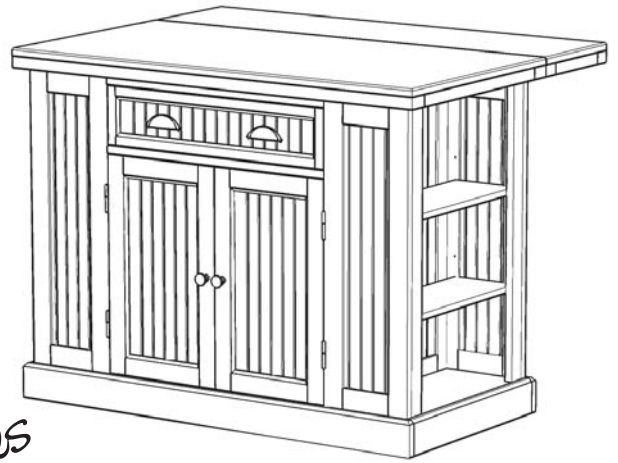
# 88 5055 942 Kitchen Island

## IMPORTANT NOTE

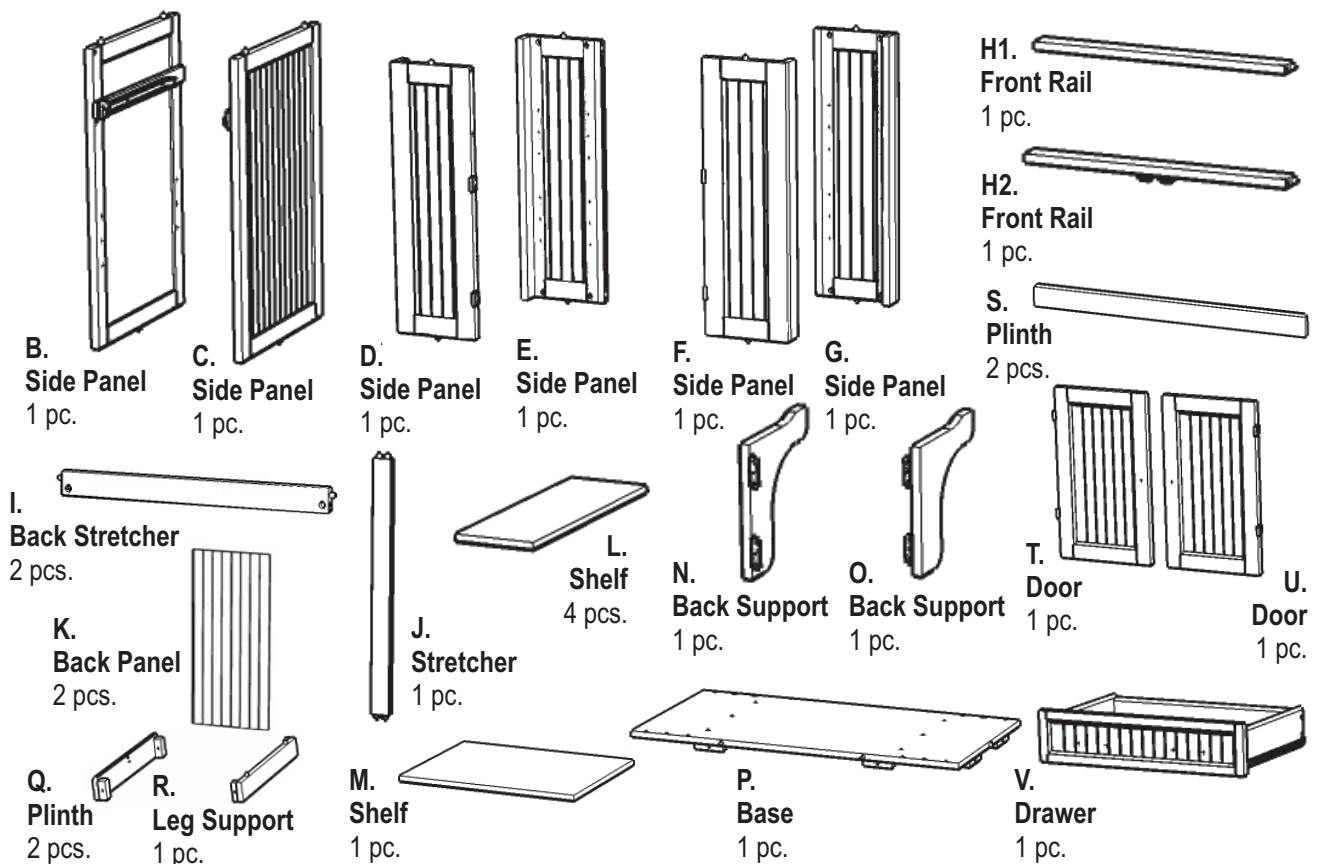
Carefully remove all the parts from the carton and put them individually on a soft cloth to prevent scratches or other damages occurring to the parts.

We have taken great care in the design of this product and request that you carefully and strictly follow our assembly instructions to ensure a completed product as it was designed.

*Home  
Styles*



## Part List



## Hardware List



**For assembly also need carton 88 5055 941**

Tools required for assembly : **Phillips** screwdriver

Tools recommended for assembly : Level

**Home Styles Consumer Assistance : [www.homestyles-furniture.com](http://www.homestyles-furniture.com),  
servicedesk@homestyles-furniture.com, 888-680-7460, 877-831-0319**

# Assembly Instructions 2/6

## IMPORTANT

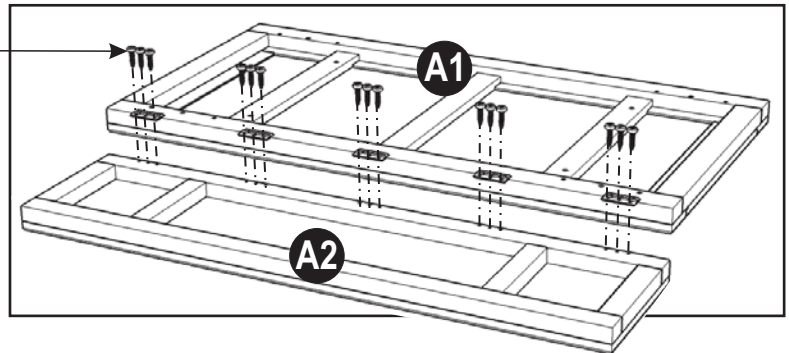
- \* Please keep Hex Wrench in a safe place as you may need to tighten up the Head Cap Bolts in the future.
- \* Do not tighten up all the bolts until each part is properly assembled.
- \* Use a soft cloth between these parts and the floor.
- \* After assembly, item must be level to work properly. Use the included adjustable levelers to level.

## STEP 1

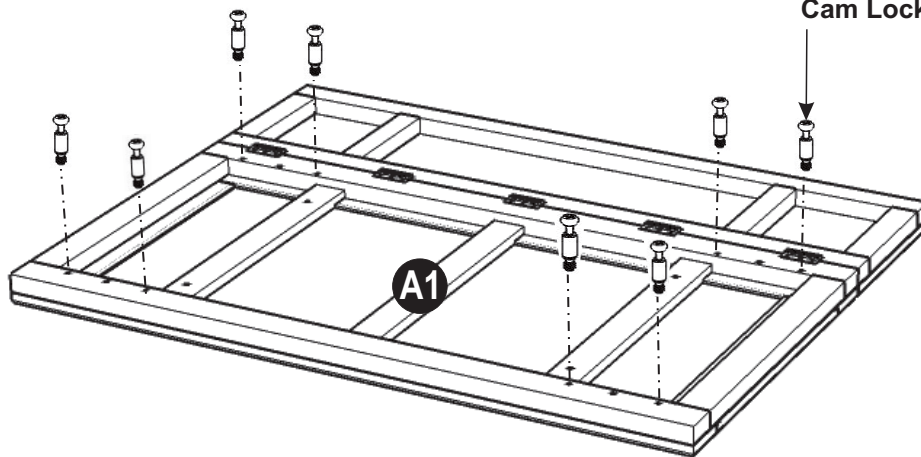
Attach Top (A1) to Top (A2) with Wood Screws.

Put Cam Lock Screws into pre-drilled holes of Top (A1), Side Panels (D), (E), (F) and (G), then tighten.

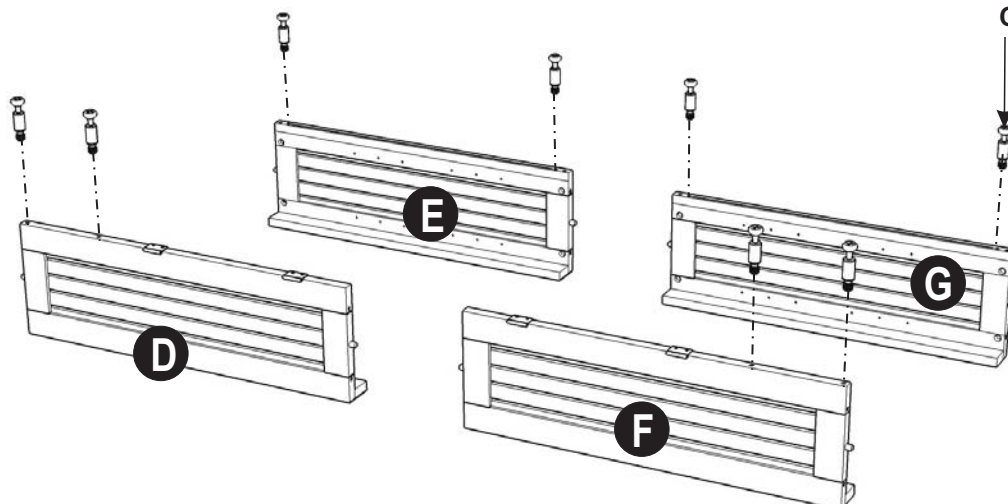
Wood Screw



Cam Lock Screw



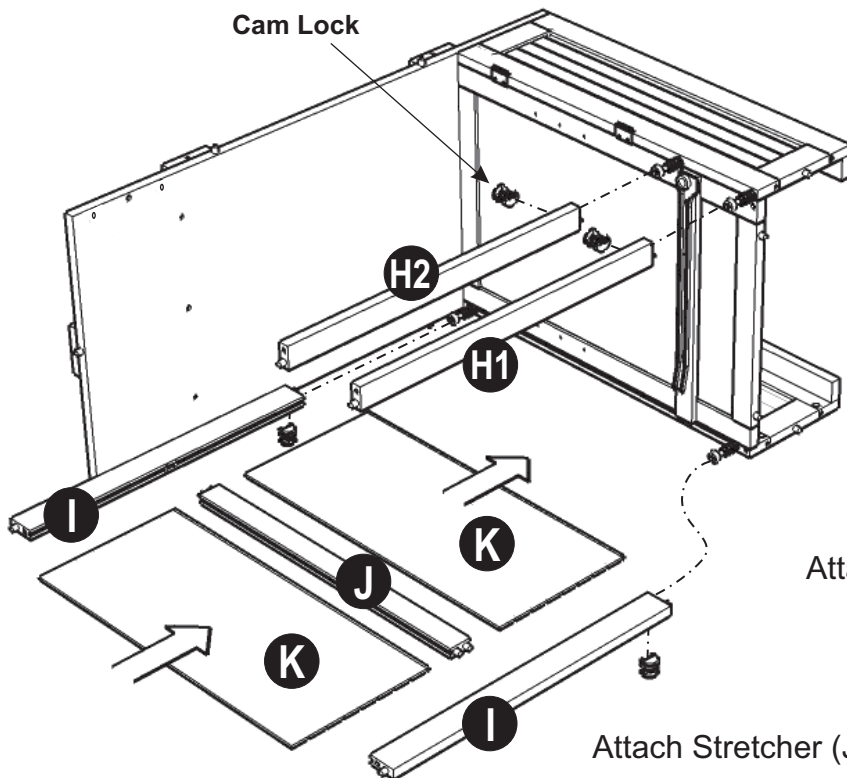
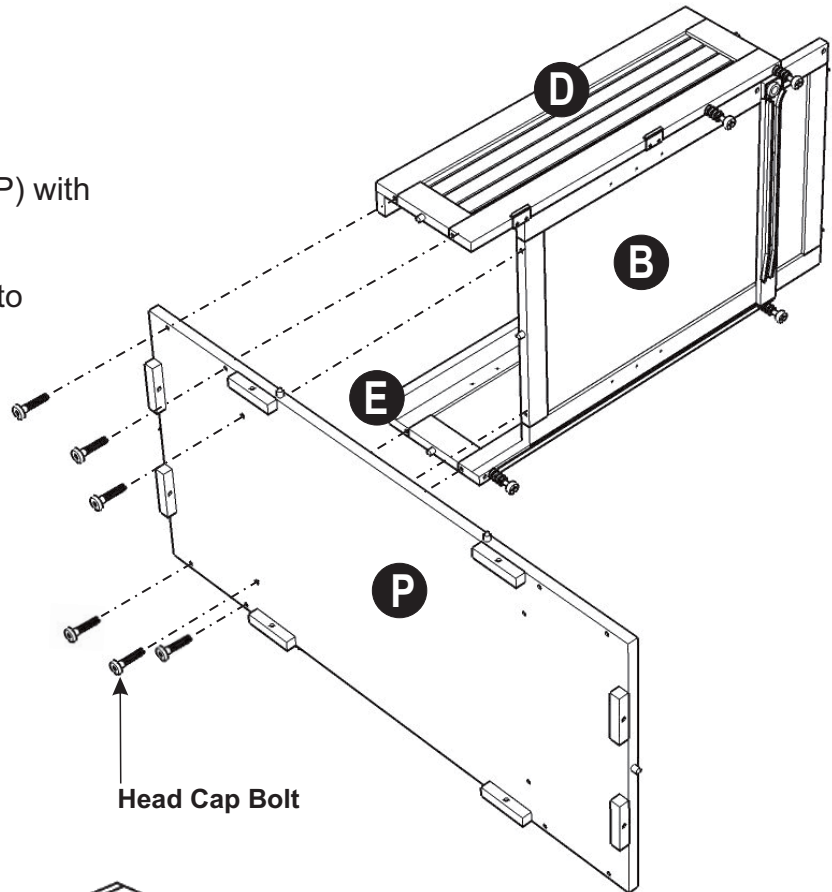
Cam Lock Screw



## STEP 2

Attach Side Panel (B) to Base (P) with Head Cap Bolts.

Attach Side Panels (D) and (E) to Base (P) with Head Cap Bolts.



## STEP 3

Attach Front Rail (H1) and Front Rail (H2) to unit with Cam Locks.

Attach Back Stretchers (I) to unit with Cam Locks.

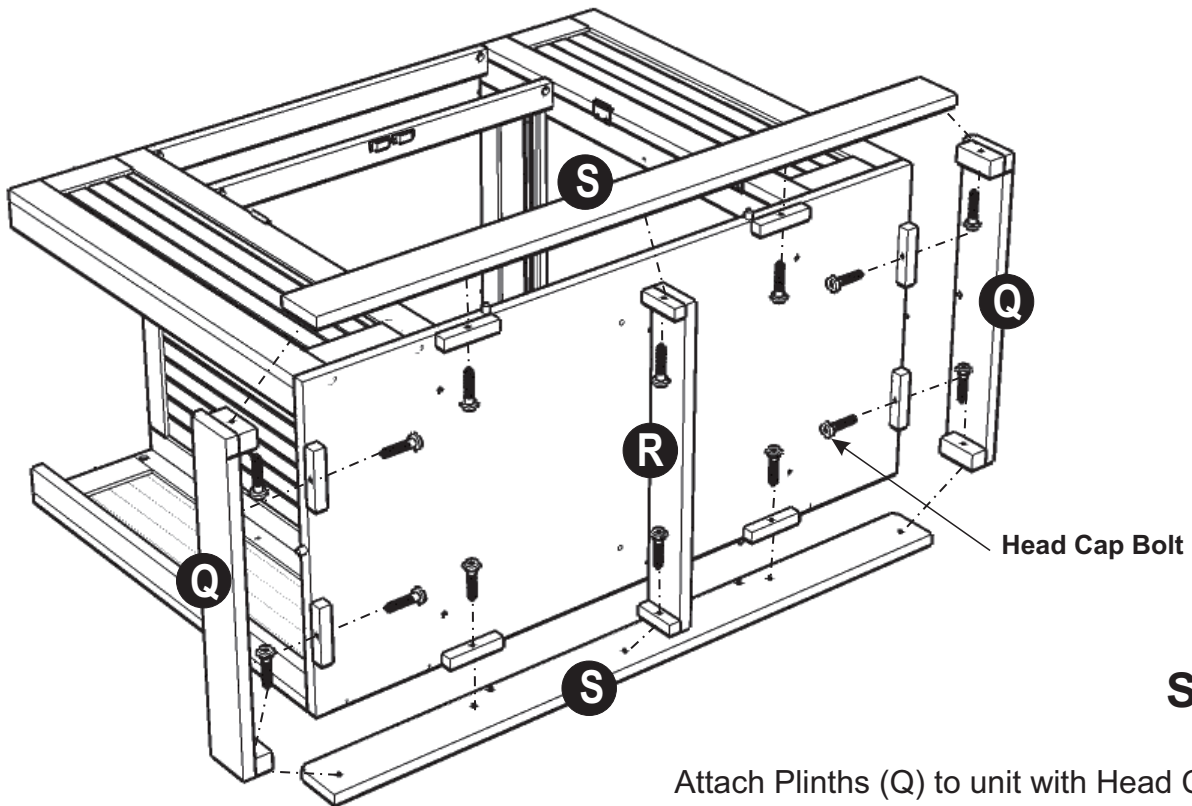
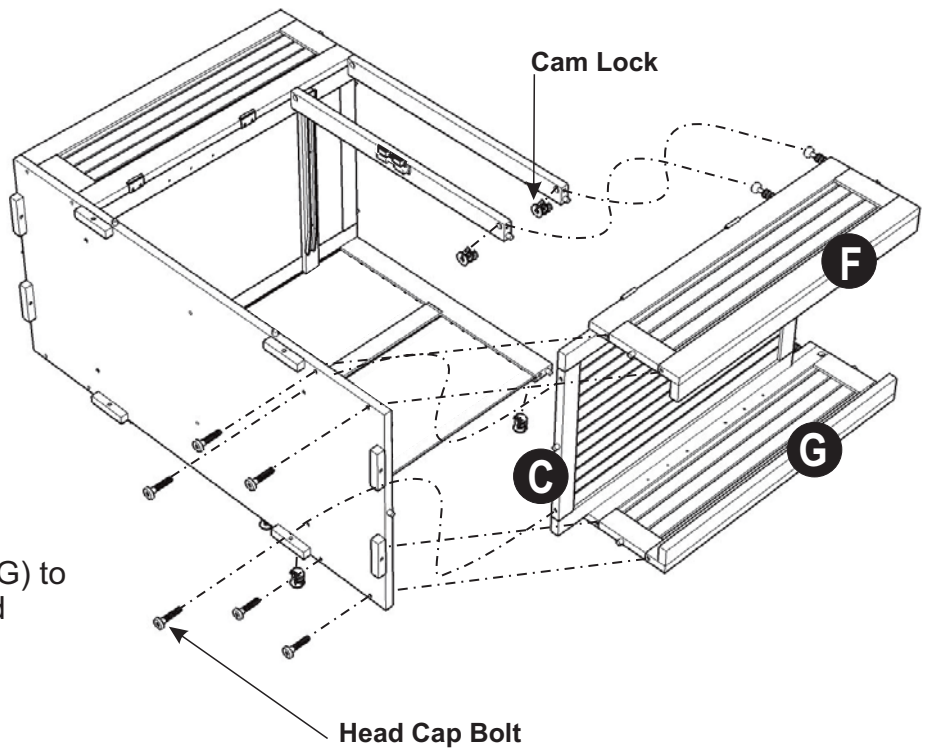
Slide Back Panel (K) into Place.

Attach Stretcher (J) to unit then slide Back Panel (K) into place.

## STEP 4

Attach Side Panel (C) to unit with Head Cap Bolts.

Attach Side Panels (F) and (G) to unit with Head Cap Bolts and Cam Locks.



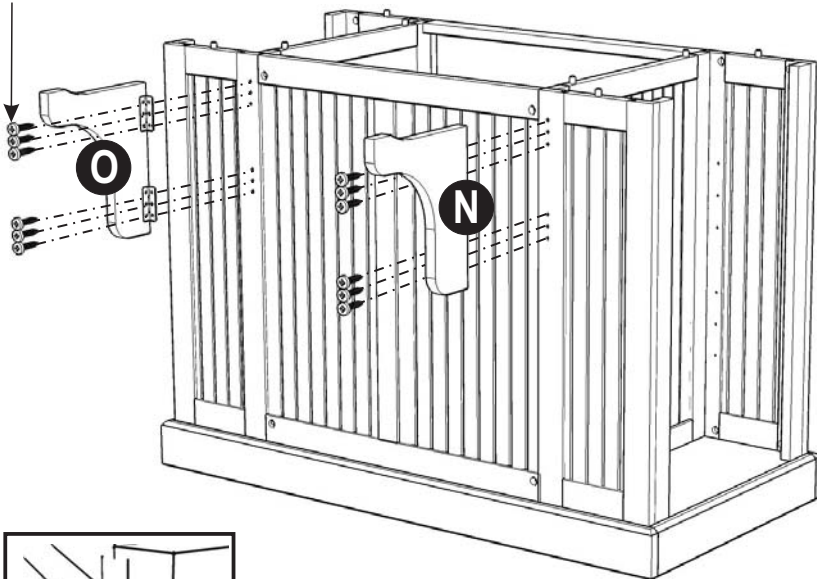
## STEP 5

Attach Plinths (Q) to unit with Head Cap Bolts.

Attach Plinths (S) to unit with Head Cap Bolts.

Attach Leg Support (R) to unit with Head Cap Bolts.

Wood Screw



## STEP 6

Attach Back Supports (N) and (O) to unit with Wood Screws into pre-drilled holes.

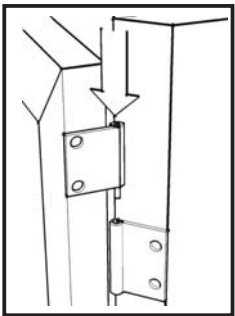


Figure 1

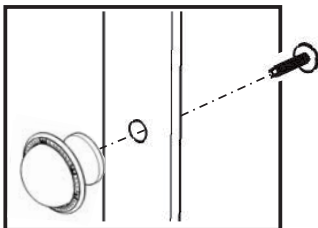
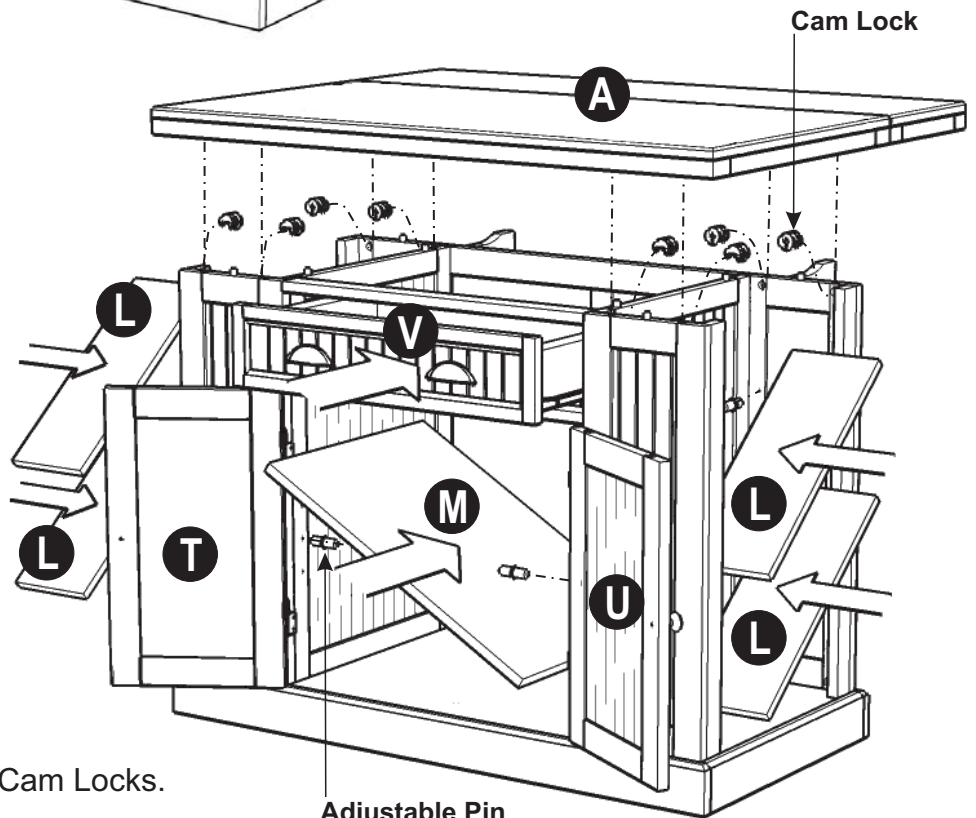


Figure 2



## STEP 7

Attach Top (A) to unit with Cam Locks.

Attach Doors (T) and (U) to unit by sliding the door lift hinges into the side panels lift hinges. (See Figure 1)

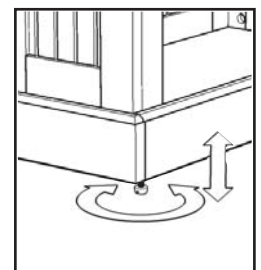
Attach Knobs to Doors (T) and (U) with Machine Screws. (See Figure 2)

Insert Adjustable Pins into side panels at the desired level, then place Shelves (L) and (M) into position.

Slide the Drawer (V) into position.

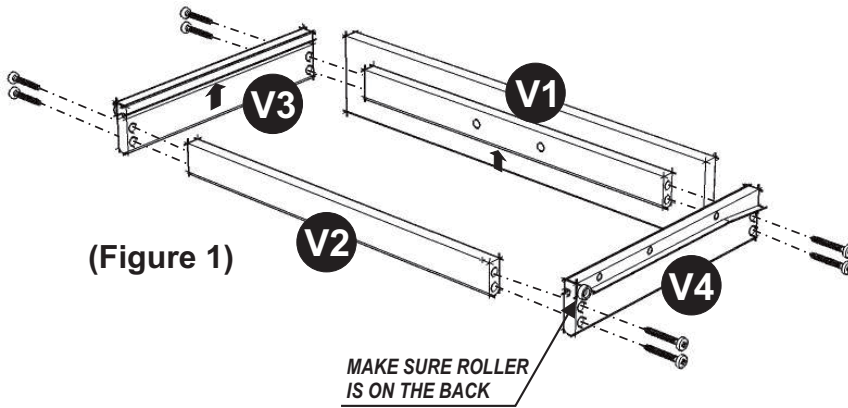
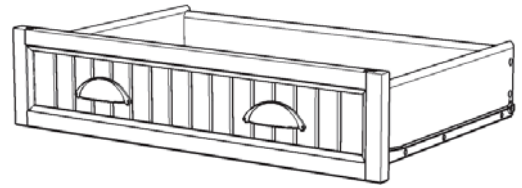
To level the unit, adjust the adjustable levelers on the bottom of unit. (See Figure 3)

**Note: Unit must be level to work properly.**



(Figure 3)

## Drawer



(Figure 1)

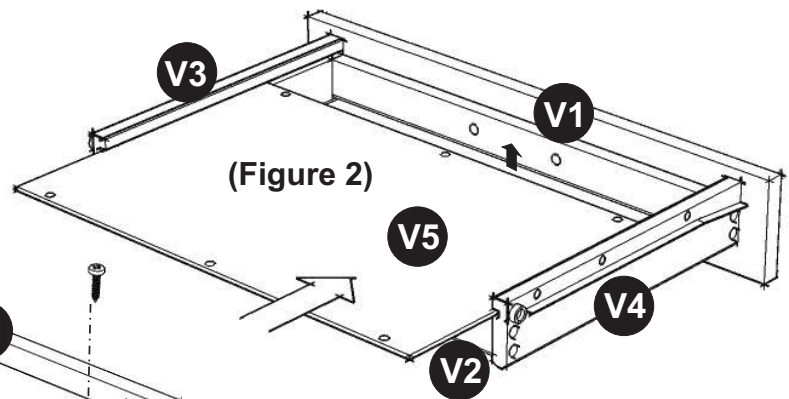
### STEP 1

Attach V1 to V2 and V3, using a Phillips screwdriver and long wood screws (4X), tighten halfway.

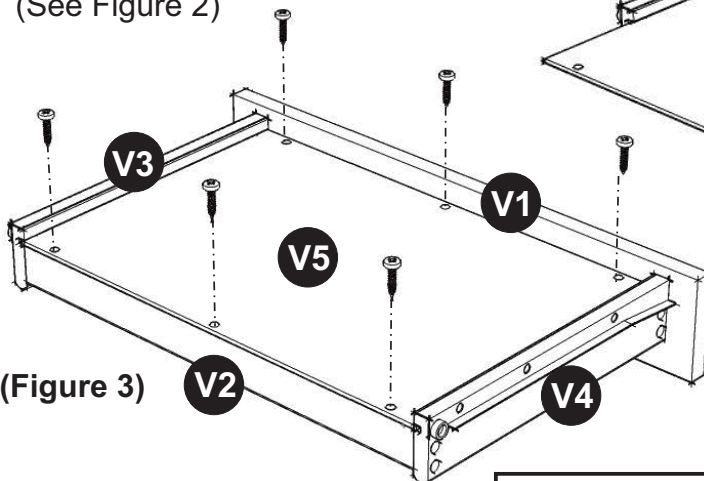
Attach V1 to V2 and V4 using long wood screws (4X), tighten halfway. (See Figure 1)

### STEP 2

Slide V5 into the grooves in V3 and V4. Be sure to push V5 all the way forward to it meets V1. (See Figure 2)



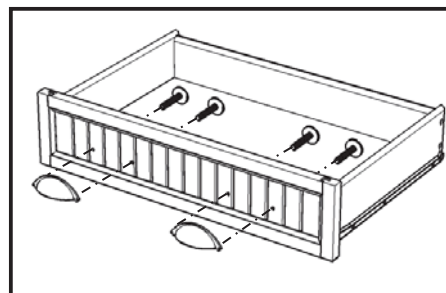
(Figure 2)



(Figure 3)

### STEP 3

Insert short wood screws (6X) into the pre-drilled holes in V5, tighten screws. (See Figure 3)



(Figure 4)

### STEP 4

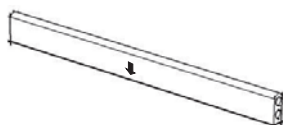
Attach Pull Handles with machine screws. (See Figure 4)

**Tighten all screws used in drawer assembly.**

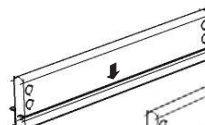
## Part List



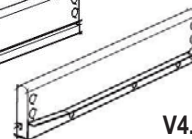
V1.  
Front Part  
1 pc.



V2.  
Back Part  
1 pc.



V3.  
Side Part  
1 pc.



V4.  
Side Part  
1 pc.



V5.  
Base Part  
1 pc.