

CM915700TX

Mirage Mirrored Console

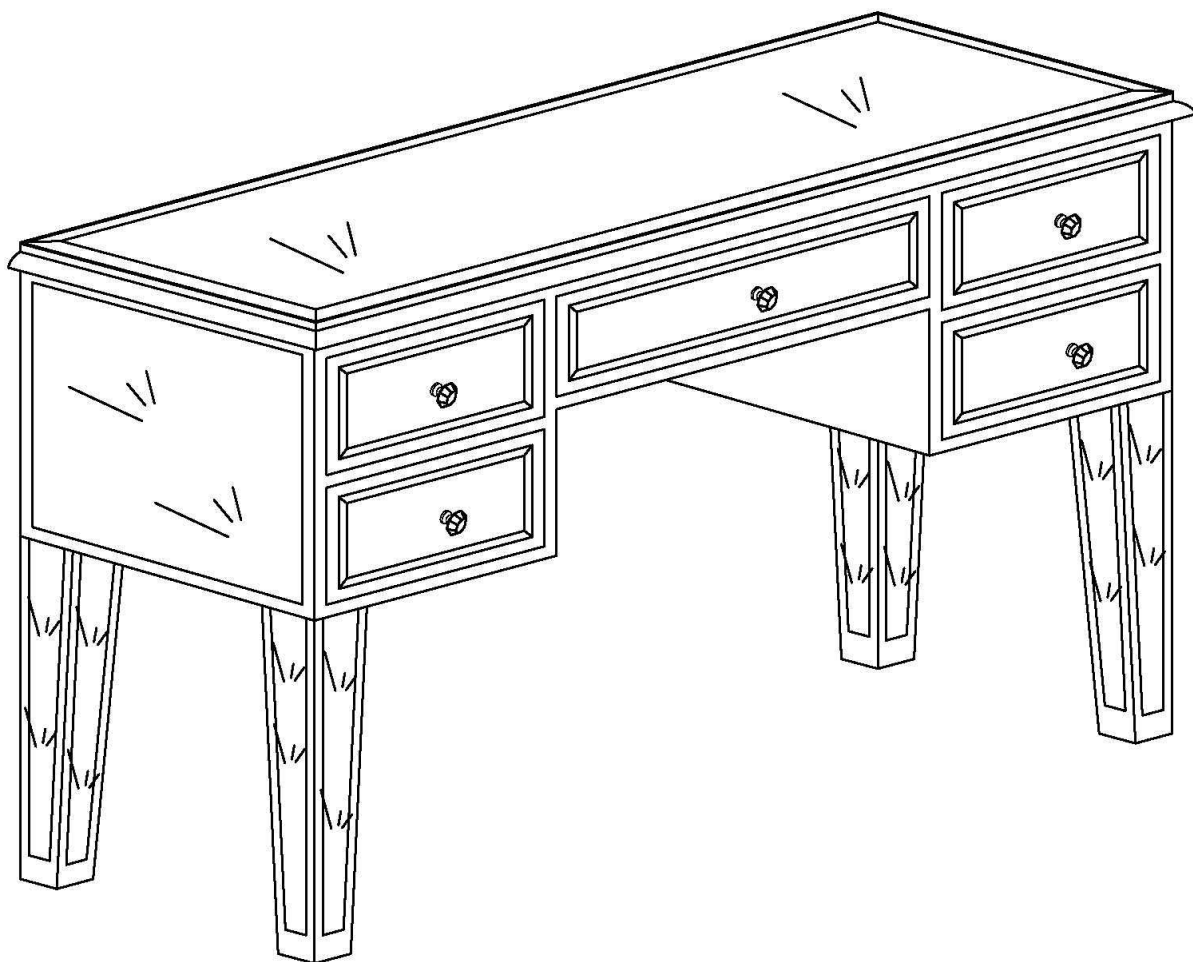
Assembly Instructions



Southern
ENTERPRISES

For assistance with assembly, contact:
Southern Enterprises Inc.
Customer Service 1-800-633-5096
service@seidal.com
www.seidal.com

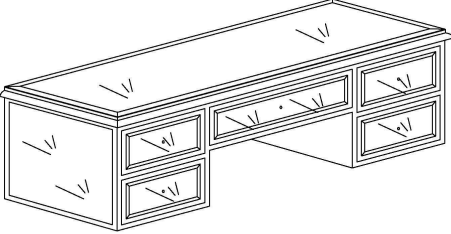
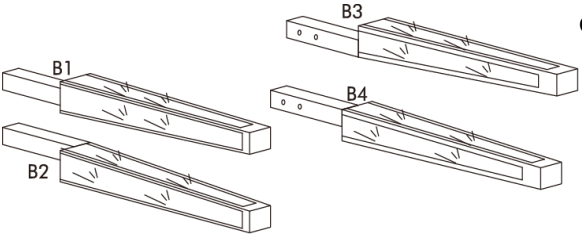
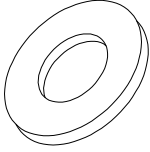
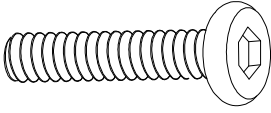

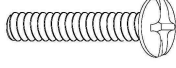
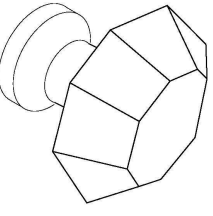

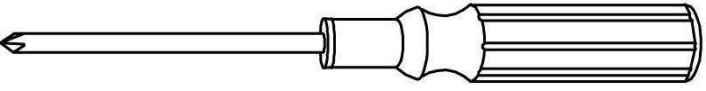
PO#



Mirage Mirrored Console

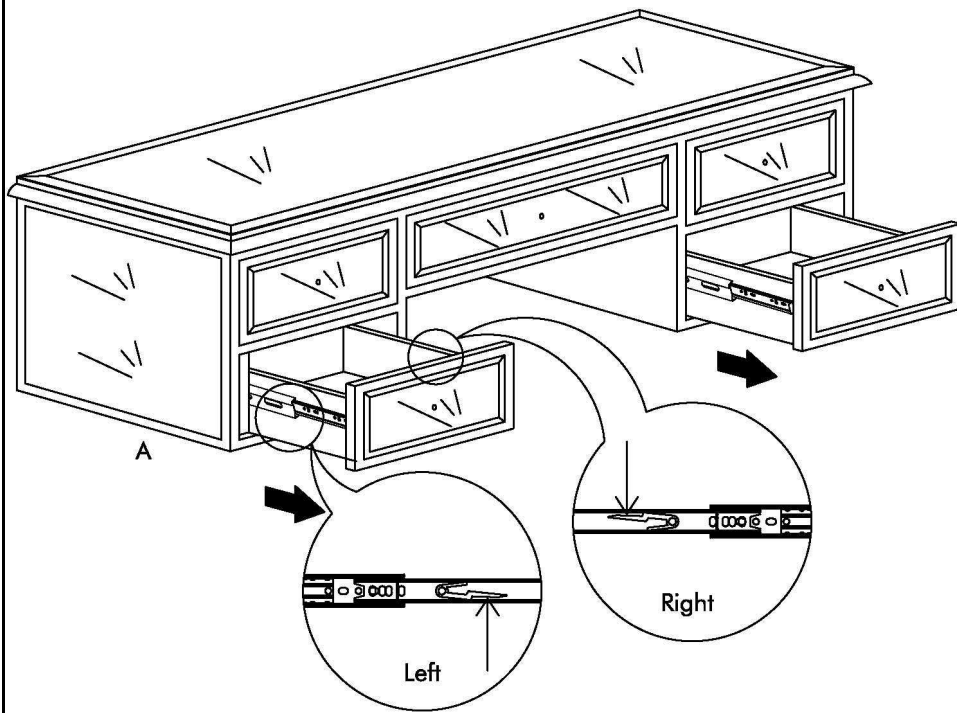
Parts List

Please check packaging for all parts and hardware before discarding. Unpack and lay parts on clean, padded surface like carpet or blanket. Check that you have all parts indicated. Call customer service if hardware is missing. Before beginning assembly, carefully study the diagrams below and sort your hardware according to the pictures. Using the incorrect hardware will cause damage.

<p>A</p>  <p>Quantity of 1</p> <p>Table Top</p>	<p>B1/B2/B3/B4</p>  <p>Quantity of 4</p> <p>Leg</p>
<p>1</p>  <p>Quantity of 8</p> <p>Flat Washer</p>	<p>2</p>  <p>Quantity of 8</p> <p>Bolt</p>
<p>3</p>  <p>Quantity of 1</p> <p>Allen Wrench</p>	<p>4</p>  <p>Quantity of 5</p> <p>Bolt for Knob</p>
<p>5</p>  <p>Quantity of 5</p> <p>Knob</p>	<p>6</p>  <p>Quantity of 5</p> <p>Plastic Pad</p>
<p>Care and Cleaning Instructions: Before using, wipe with a clean, dry cloth. Periodically apply furniture wax to renew the finish. Avoid rubbing or scratching the surface with rough or abrasive objects.</p>	<p>Call customer service at 1-800-633-5096 for assistance, questions, or parts.</p>
<p>Assembly Tool Required No.2 Phillips Screwdriver Not Included</p>	

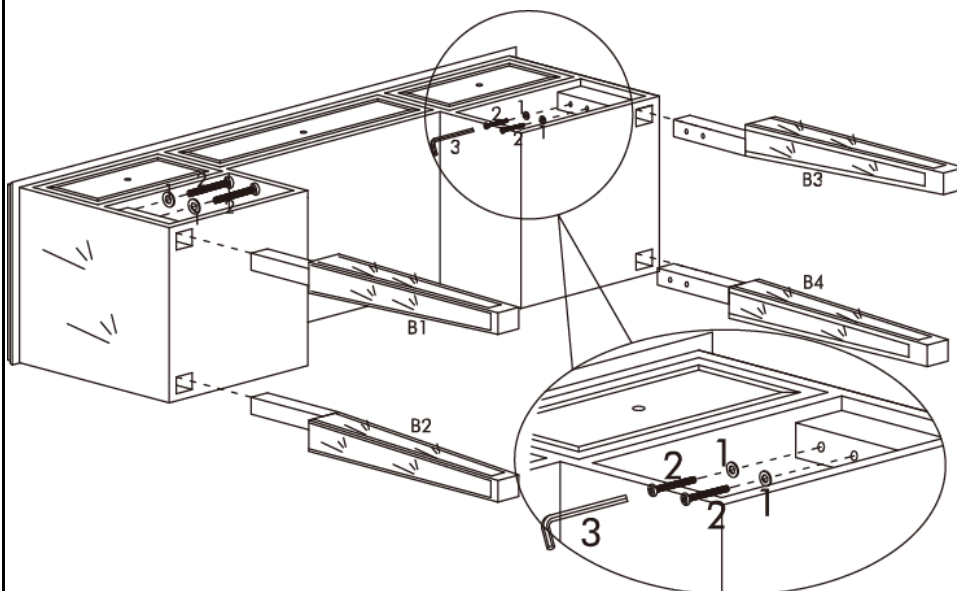
Mirage Mirrored Console

Assembly Instructions



Pull out the bottom drawers as shown.

Figure 1



Connect the legs (B1, B2, B3, B4) to table top (A) with flat washers (1) and bolts (2).

Tighten bolts with Allen wrench (3) as shown.

Figure 2

Mirage Mirrored Console

Assembly Instructions

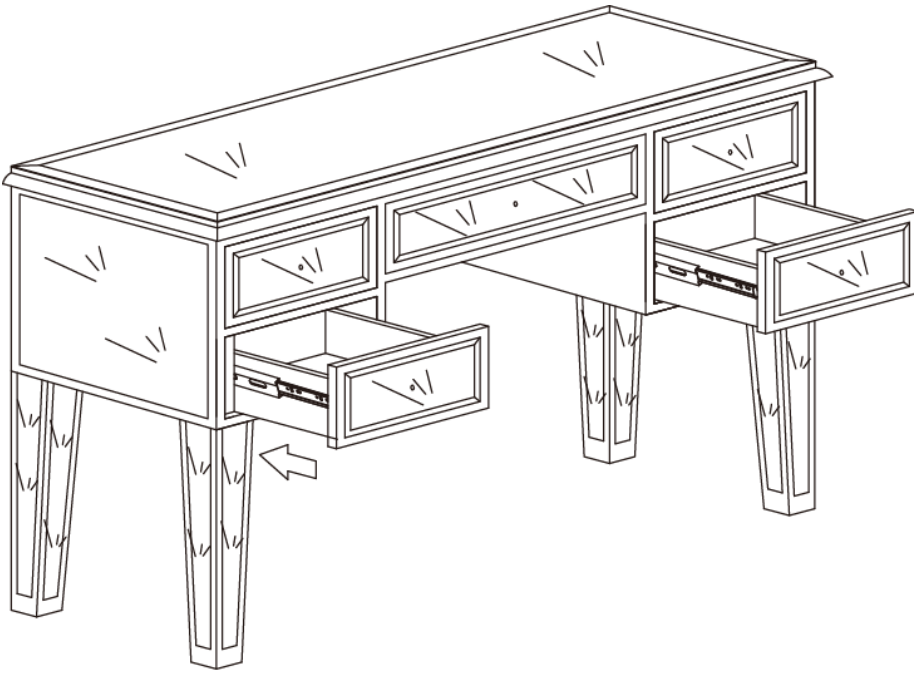


Figure 3

Insert the drawers into the right position.

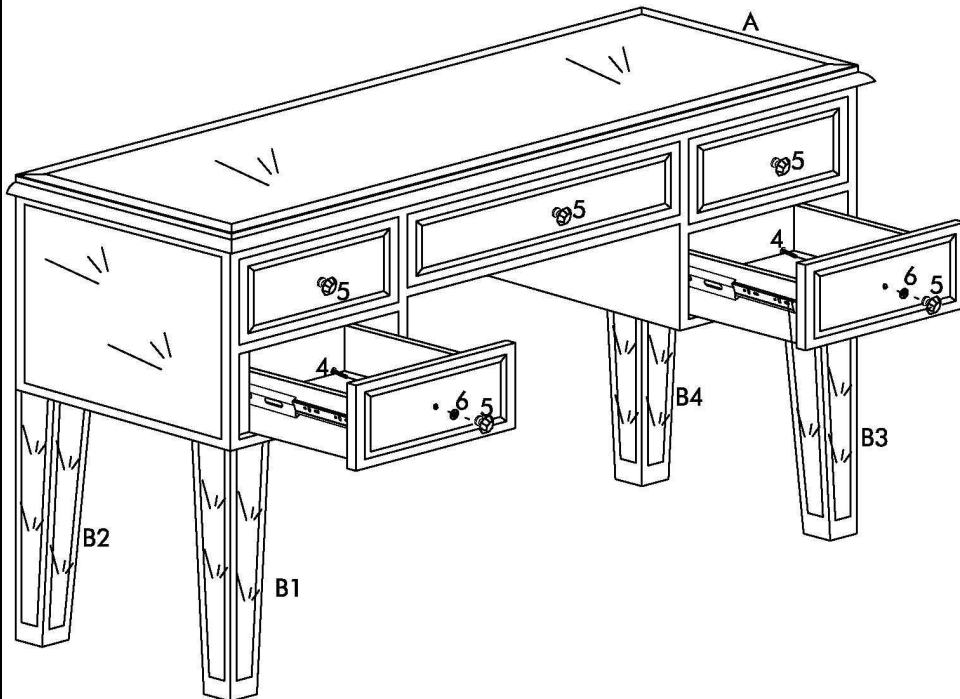


Figure 4

Attach knobs (5) onto drawer front with the plastic pads (6) and bolts (4).

Tighten bolts with Phillips screwdriver.

Caution : Please do not over tighten knobs, stop when you feel tight.

Mirage Mirrored Console

Assembly Instructions

Now your new Mirage mirrored console is ready to use.

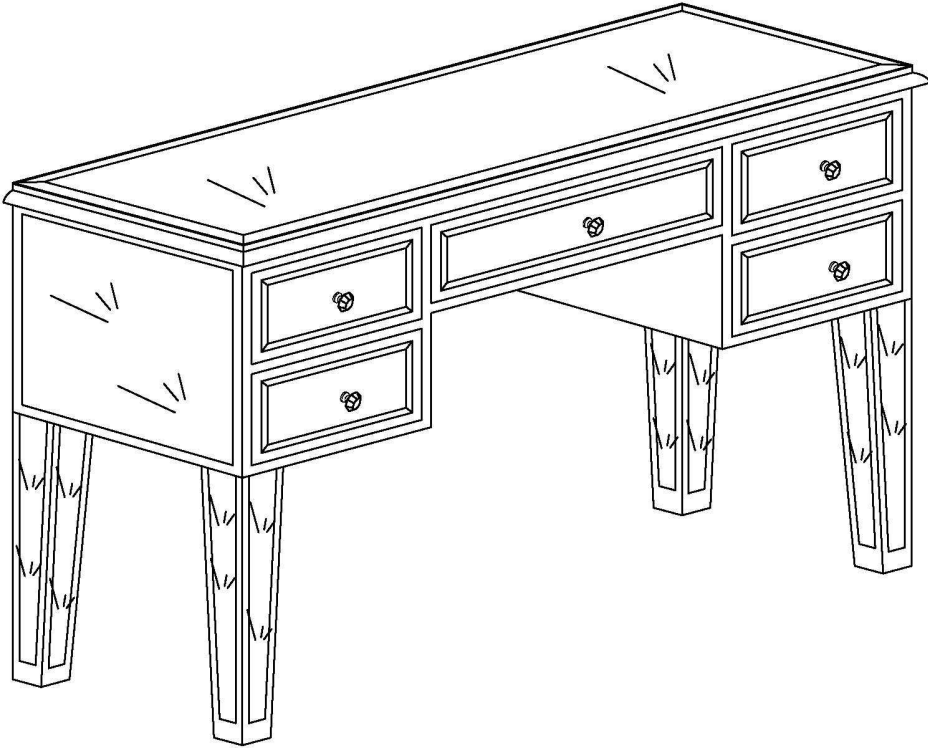


Figure 5

Parts Replacement Form

Customer Information

Name _____

Address _____

City/State/Zip Code _____

Phone Number _____

Please indicate where you purchased this item: Store/Website/Catalog

Please indicate color/size/style number:

Style No	Parts Letter	Parts Description	Quantity Needed
_____	_____	_____	_____
_____	_____	_____	_____
_____	_____	_____	_____

Please immediately examine this product carefully. Any request for missing parts or damage replacement must be received within 90 days of your receipt of the product. Replacement, if available, will be honored within this time frame. Parts will not be available for items arriving fully assembled. We do not recommend modifying product(s) and we are not responsible for any damages due to product modification(s). If damages or missing parts are not reported within 90 days of your receipt, we are under no obligation to provide parts or replacement merchandise.

Please contact Southern Enterprises at 800-633-5096 or in Dallas 972-869-0111/ 9am – 4pm Mon-Fri Central time if you have product issues or email us at service@seidal.com. Please ask for customer service representative for issues involving damages or replacement parts. Please ask for technical assistance representative for any issues with product and assembly/construction.

Please contact the retailer that you purchased from for returns.



Southern
ENTERPRISES

Customer Service 1-800-633-5096
service@seidal.com
Southern Enterprises, Inc.
600 Freeport Parkway, Suite 200
Coppell, Texas 75019