

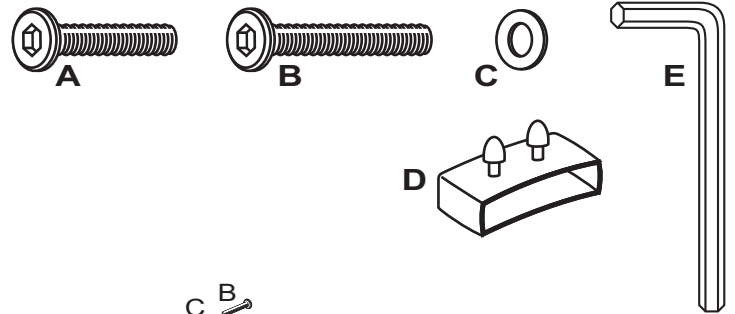
Examine all packaging material for small parts that may have come loose during shipment. Periodic checks are recommended to insure that all components are in proper position, tight and free from damage. Keep this assembly instruction for future reference. Adult assembly is required. Customer Service Phone Number: 502-562-0000

HARDWARE LIST

- A (8) Allen Bolts 1/4" x 30mm
- B (2) Allen Bolts 1/4" x 50mm
- C (2) Flat Washers 1/4"
- D (28) Slat Caps
- E (1) Allen Wrench 1/4"

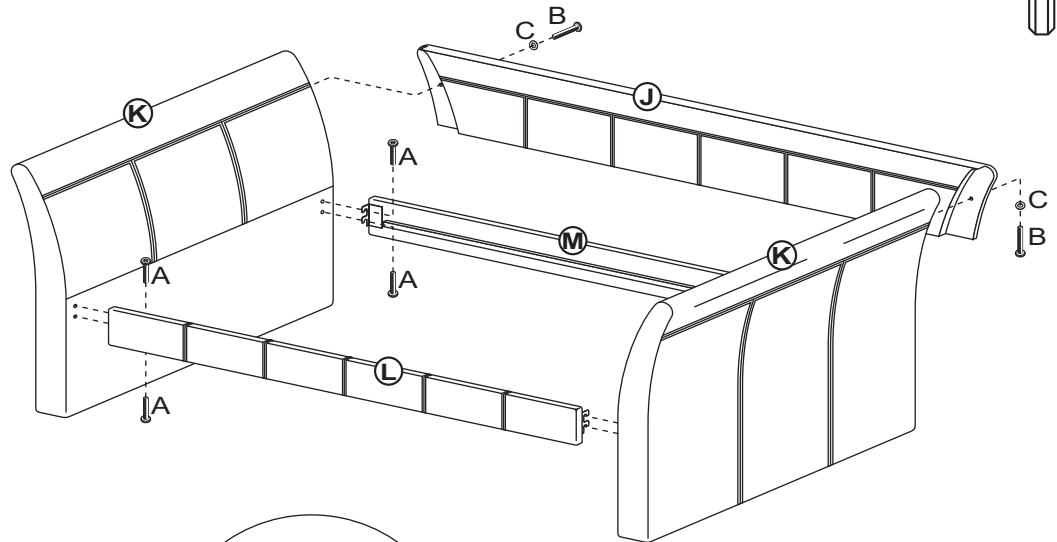
PARTS LIST

- J (1) Back Panel
- K (2) Side Panels
- L (1) Front Rail
- M (1) Rear Rail
- N (14) Bentwood Slats



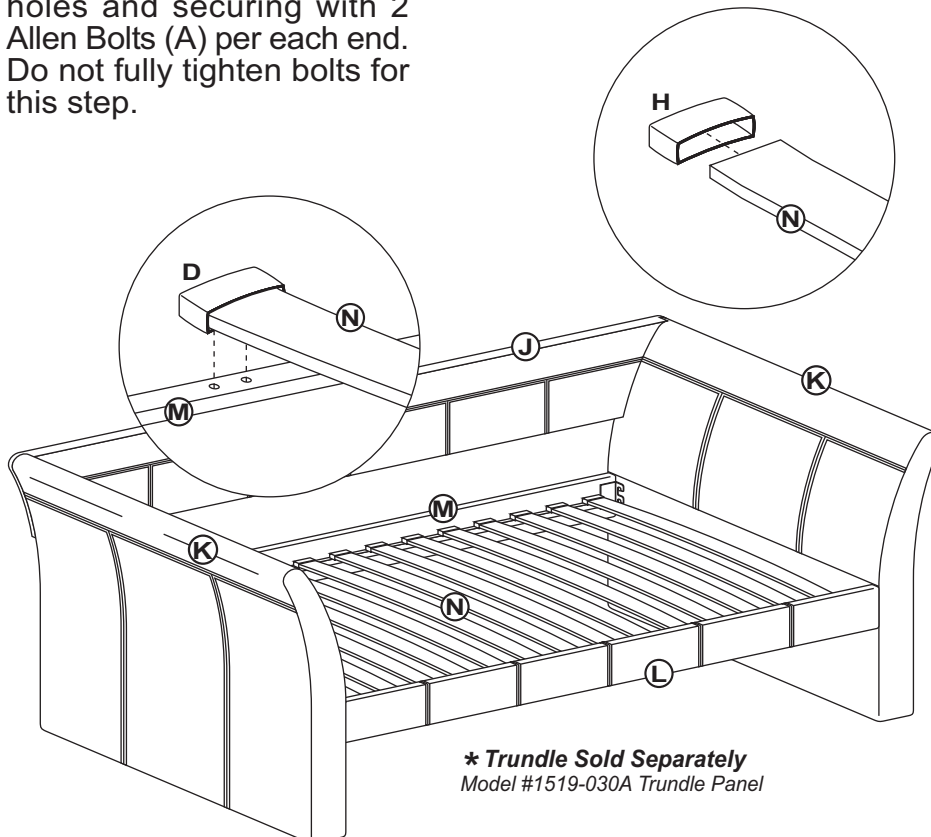
STEP 1

Begin assembly by attaching the Back Panel (J) to the back of each Side Panel (K) by aligning the holes and securing with 1 Allen Bolt (B) & 1 Flat Washer (C) from the backside per each end. Do not fully tighten bolts for this step.



STEP 2

Next attach the Rear Rail (M) to the back of each Side Panel (K) by aligning the holes and securing with 2 Allen Bolts (A) per each end. Do not fully tighten bolts for this step.



STEP 3

Attach the Front Rail (L) to the inside of each Side Rail in the front by aligning the holes and securing with 2 Allen Bolts (A) per each end. Tighten all bolts from Steps 1 through 3 using the Allen Wrench (E) that has been provided.

STEP 4

Insert the Plastic Cap (D) to both ends of each Bentwood Slat (N) and install the slats onto the Front and Back Rails (L & M) by pushing into place on the Plastic Cap into the holes on the Front and Rear Rails (L & M). The assembly is now complete.

** Trundle Sold Separately
Model #1519-030A Trundle Panel*