

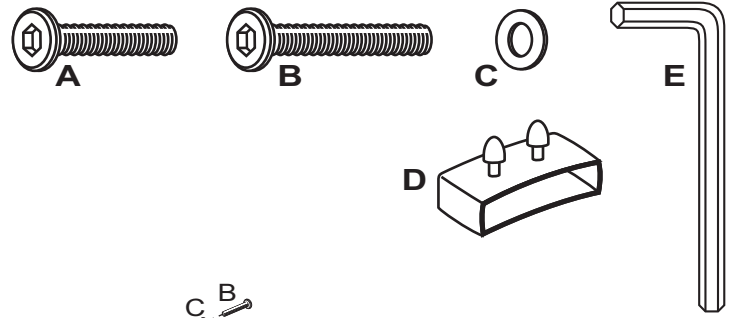
Examine all packaging material for small parts that may have come loose during shipment. Periodic checks are recommended to insure that all components are in proper position, tight and free from damage. Keep this assembly instruction for future reference. Adult assembly is required. Customer Service Phone Number: 502-562-0000

HARDWARE LIST

- A (8) Allen Bolts 1/4" x 30mm
- B (2) Allen Bolts 1/4" x 50mm
- C (2) Flat Washers 1/4"
- D (28) Slat Caps
- E (1) Allen Wrench 1/4"

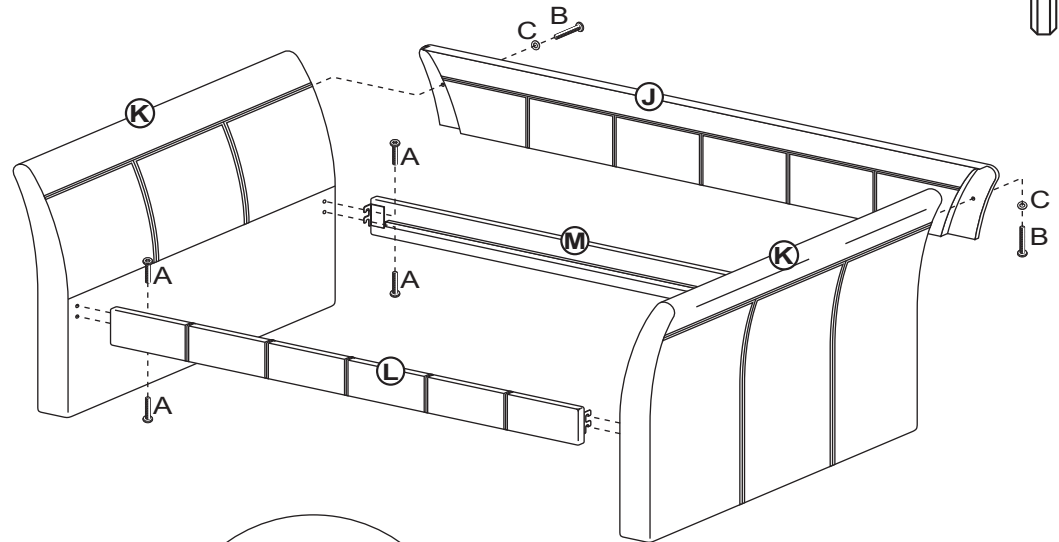
PARTS LIST

- J (1) Back Panel
- K (2) Side Panels
- L (1) Front Rail
- M (1) Rear Rail
- N (14) Bentwood Slats



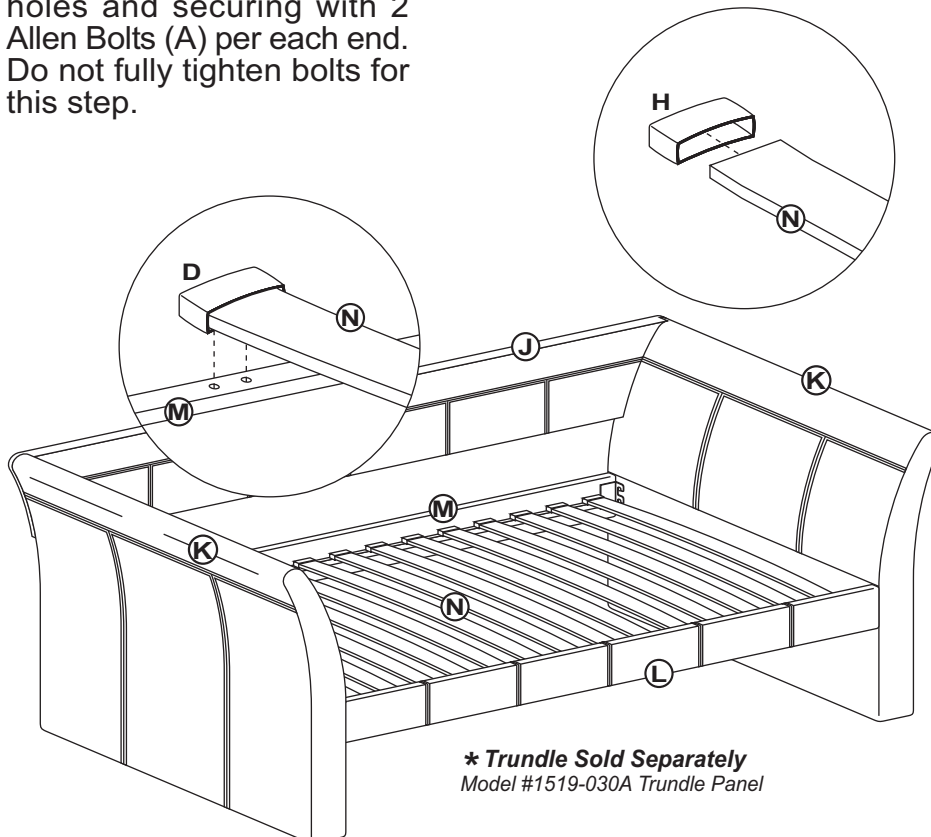
STEP 1

Begin assembly by attaching the Back Panel (J) to the back of each Side Panel (K) by aligning the holes and securing with 1 Allen Bolt (B) & 1 Flat Washer (C) from the backside per each end. Do not fully tighten bolts for this step.



STEP 2

Next attach the Rear Rail (M) to the back of each Side Panel (K) by aligning the holes and securing with 2 Allen Bolts (A) per each end. Do not fully tighten bolts for this step.



STEP 3

Attach the Front Rail (L) to the inside of each Side Rail in the front by aligning the holes and securing with 2 Allen Bolts (A) per each end. Tighten all bolts from Steps 1 through 3 using the Allen Wrench (E) that has been provided.

STEP 4

Insert the Plastic Cap (D) to both ends of each Bentwood Slat (N) and install the slats onto the Front and Back Rails (L & M) by pushing into place on the Plastic Cap into the holes on the Front and Rear Rails (L & M). The assembly is now complete.

** Trundle Sold Separately
Model #1519-030A Trundle Panel*

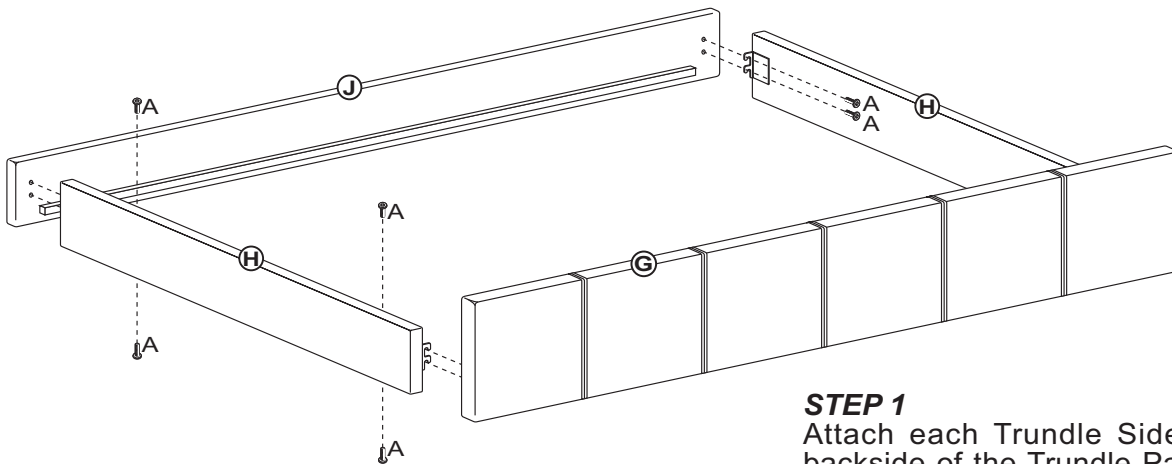
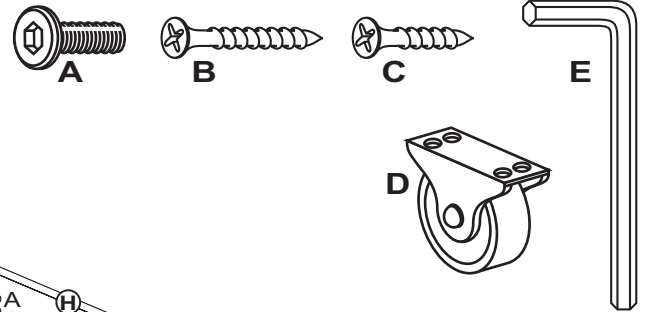
Examine all packaging material for small parts that may have come loose during shipment. Periodic checks are recommended to insure that all components are in proper position, tight and free from damage. Keep this assembly instruction for future reference. Adult assembly is required. Customer Service Phone Number: 502-562-0000

HARDWARE LIST

- A (8) Allen Bolts 1/4" x 20mm
- B (8) Wood Screws 30mm
- C (24) Wood Screws 20mm
- D (6) Metal Casters
- E (1) Allen Wrench 1/4"

PARTS LIST

- G (1) Trundle Panel
- H (2) Trundle Side Panels
- J (1) Trundle Back Panel
- K (2) 7pc. Wood Slat Set



STEP 1

Attach each Trundle Side Panel (H) to the backside of the Trundle Panel (G) by aligning holes and securing with 2 Allen Bolts (A) per each end. Tighten all bolts.

STEP 2

Attach the Trundle Back Panel (J) to the REMAINING side of each Trundle Side Panel (H) also by aligning holes and securing with 2 Allen Bolts (A) per each end. Tighten all bolts.

STEP 3

Attach the Casters (D) to the bottom of each Trundle Side Panel (H) and Trundle Panel (G) using 4 Wood Screws (C) per each caster. Tighten all screws.

STEP 4

Finally attach both 7pc. Wood Slats (K) to both Front & Rear Panels (G & J) using 4 Wood Screws (B) per each set to secure in place. Tighten all screws. The assembly is now complete.

