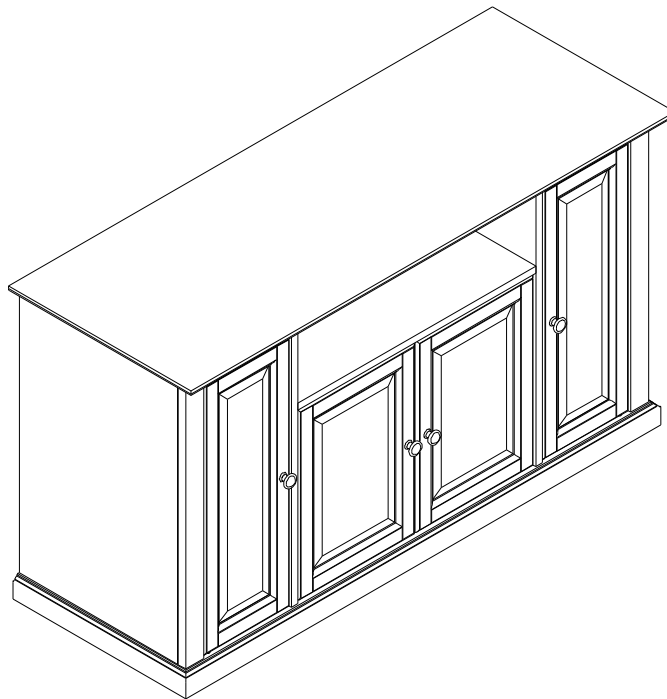


C R O S L E Y
F U R N I T U R E

60" TV Stand Cabinet
CF100160



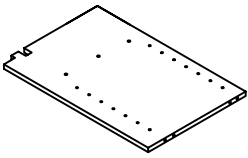
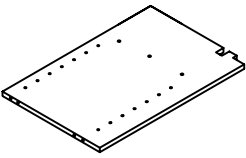
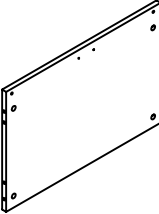
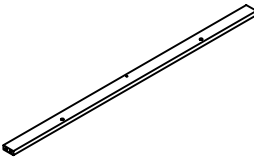
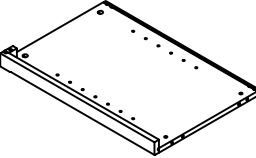
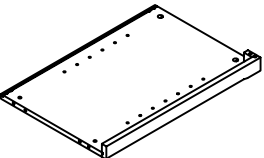
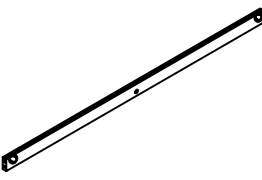

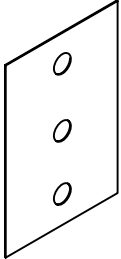
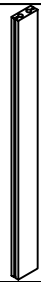
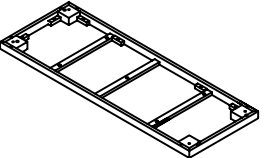
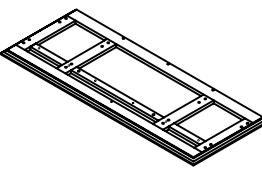

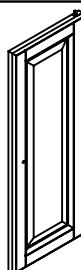
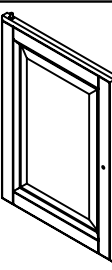
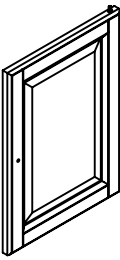
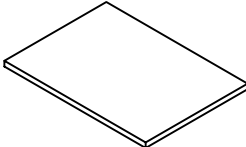
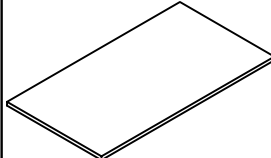
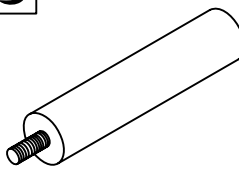
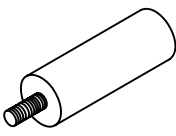
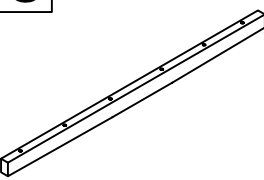
C R O S L E Y
F U R N I T U R E

Congratulations! You have purchased a stylish piece of Crosley Furniture. We strive to provide fine furniture products, built with quality materials and hand finished details. Please carefully follow the assembly instructions to ensure your furniture is assembled correctly to provide long lasting enjoyment.

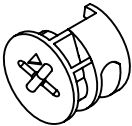
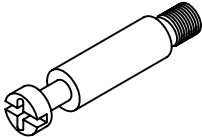
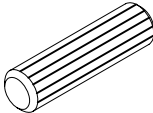

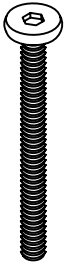
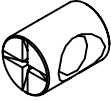
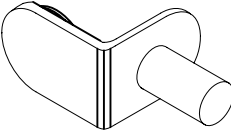

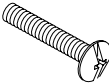
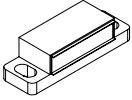
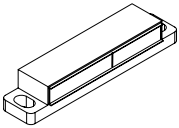
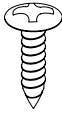
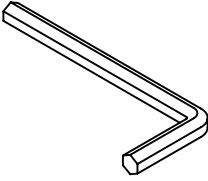
Should you experience any missing or damaged parts, **do not return to the store.** Please contact us directly at 800-815-4796.

Care: Use a soft clean cloth that will not scratch the surface when dusting. Use of furniture polish is not necessary. Should you choose to use polishes, test in an inconspicuous area first. Use of solvents of any kind may damage your furniture's finish. To clean, simply use a soft clean cloth moistened with lukewarm water, then buff with a dry soft clean cloth.

PART LIST

<p>A</p> 	<p>B</p> 	<p>C</p> 	<p>D</p> 	<p>E</p> 
<p>1 PC</p>	<p>1 PC</p>	<p>1 PC</p>	<p>1 PC</p>	<p>1 PC</p>
<p>F</p> 	<p>G</p> 	<p>H</p> 	<p>I</p> 	<p>J</p> 
<p>1 PC</p>	<p>2 PCS</p>	<p>2 PCS</p>	<p>1 PC</p>	<p>2 PCS</p>
<p>K</p> 	<p>L</p> 	<p>M</p> 	<p>N</p> 	<p>O</p> 
<p>1 PC</p>	<p>1 PC</p>	<p>1 PC</p>	<p>1 PC</p>	<p>1 PC</p>
<p>P</p> 	<p>Q</p> 	<p>R</p> 	<p>S</p> 	<p>T</p>  <p>For use only with Bun Foot</p>
<p>1 PC</p>	<p>4 PCS</p>	<p>1 PC</p>	<p>1 PC</p>	<p>1 PC</p>
<p>U</p> 				
<p>1 PC</p>				

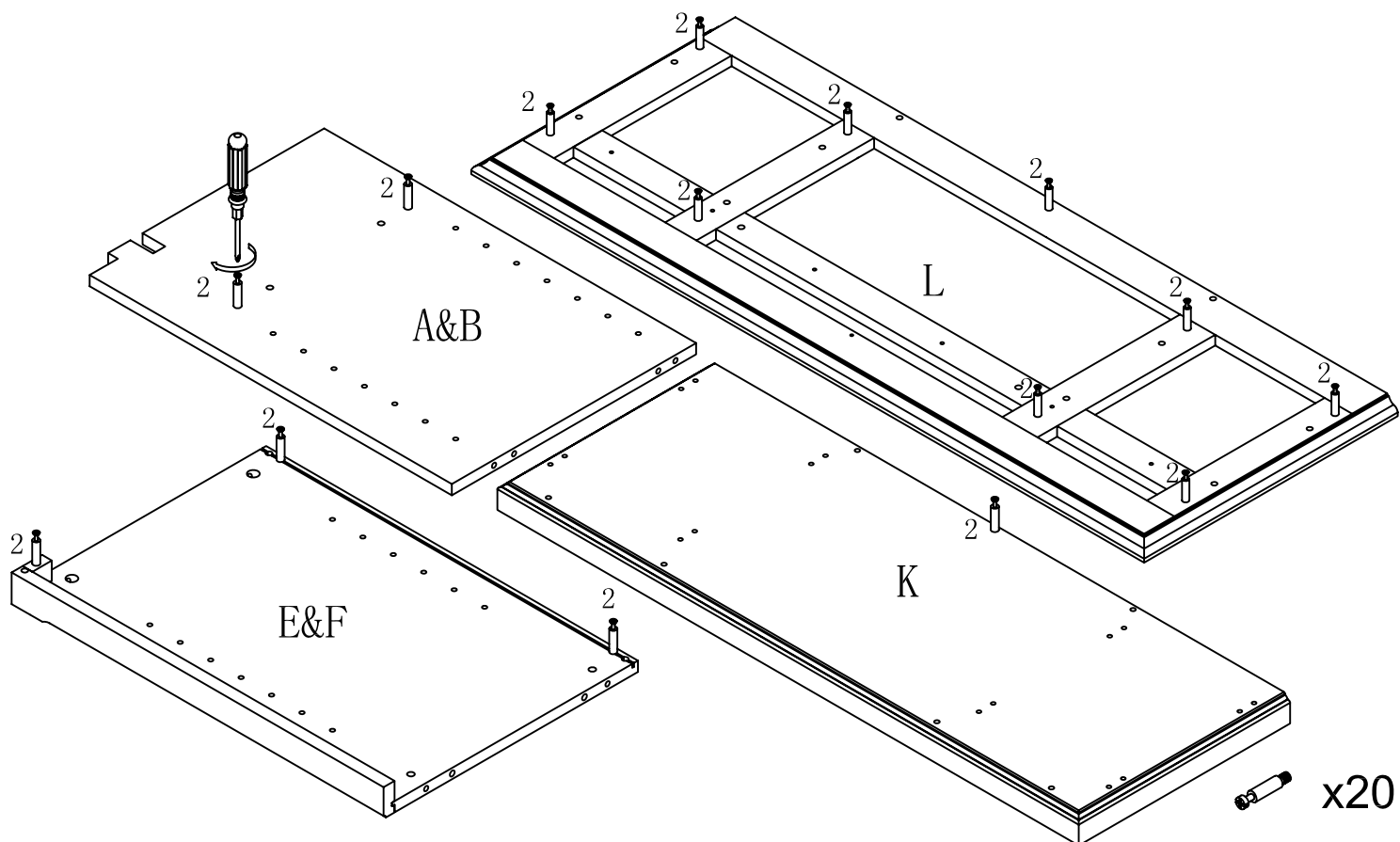
HARDWARE LIST

<div data-bbox="118 152 156 197" style="border: 1px solid black; padding: 2px;">1</div> 	<div data-bbox="400 152 438 197" style="border: 1px solid black; padding: 2px;">2</div> 	<div data-bbox="683 152 721 197" style="border: 1px solid black; padding: 2px;">3</div> 	<div data-bbox="965 152 1003 197" style="border: 1px solid black; padding: 2px;">4</div>  <p data-bbox="986 385 1177 412">1-1/4" * Ø4 * D8mm</p>	<div data-bbox="1248 152 1286 197" style="border: 1px solid black; padding: 2px;">5</div> 
<p data-bbox="165 432 309 459">CAM LOCK</p> <p data-bbox="181 488 293 515">20 PCS</p>	<p data-bbox="443 432 587 459">CAM BOLT</p> <p data-bbox="467 488 579 515">20 PCS</p>	<p data-bbox="726 432 917 459">WOOD DOWEL</p> <p data-bbox="750 488 861 515">42 PCS</p>	<p data-bbox="1024 432 1120 459">SCREW</p> <p data-bbox="1032 488 1120 515">9 PCS</p>	<p data-bbox="1232 432 1487 488">HEX SOCKET HEAD BOLT</p> <p data-bbox="1303 488 1415 515">8 PCS</p>
<div data-bbox="118 544 156 589" style="border: 1px solid black; padding: 2px;">6</div> 	<div data-bbox="400 544 438 589" style="border: 1px solid black; padding: 2px;">7</div> 	<div data-bbox="683 544 721 589" style="border: 1px solid black; padding: 2px;">8</div> 	<div data-bbox="965 544 1003 589" style="border: 1px solid black; padding: 2px;">9</div> 	<div data-bbox="1248 544 1286 589" style="border: 1px solid black; padding: 2px;">10</div> 
<p data-bbox="165 824 341 851">BARREL NUT</p> <p data-bbox="189 880 285 907">8 PCS</p>	<p data-bbox="435 824 647 851">SHELF HOLDER</p> <p data-bbox="467 880 579 907">20 PCS</p>	<p data-bbox="762 824 842 851">KNOB</p> <p data-bbox="754 880 850 907">4 PCS</p>	<p data-bbox="960 824 1216 851">ROUND HEAD BOLT</p> <p data-bbox="1032 880 1120 907">4 PCS</p>	<p data-bbox="1279 824 1455 851">DOOR CATCH</p> <p data-bbox="1319 880 1415 907">2 PCS</p>
<div data-bbox="118 936 156 981" style="border: 1px solid black; padding: 2px;">11</div> 	<div data-bbox="400 936 438 981" style="border: 1px solid black; padding: 2px;">12</div> 	<div data-bbox="683 936 721 981" style="border: 1px solid black; padding: 2px;">13</div> 		
<p data-bbox="165 1216 293 1243">MAGNET</p> <p data-bbox="197 1272 261 1299">1 PC</p>	<p data-bbox="389 1216 580 1272">ROUND HEAD SCREW</p> <p data-bbox="477 1272 572 1299">6 PCS</p>	<p data-bbox="735 1216 879 1243">ALLEN KEY</p> <p data-bbox="759 1272 823 1299">1 PC</p>		

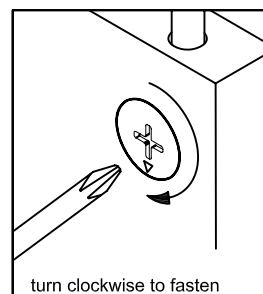
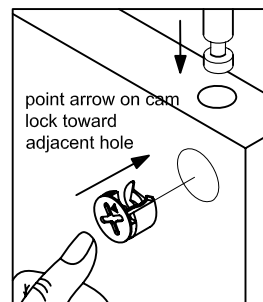
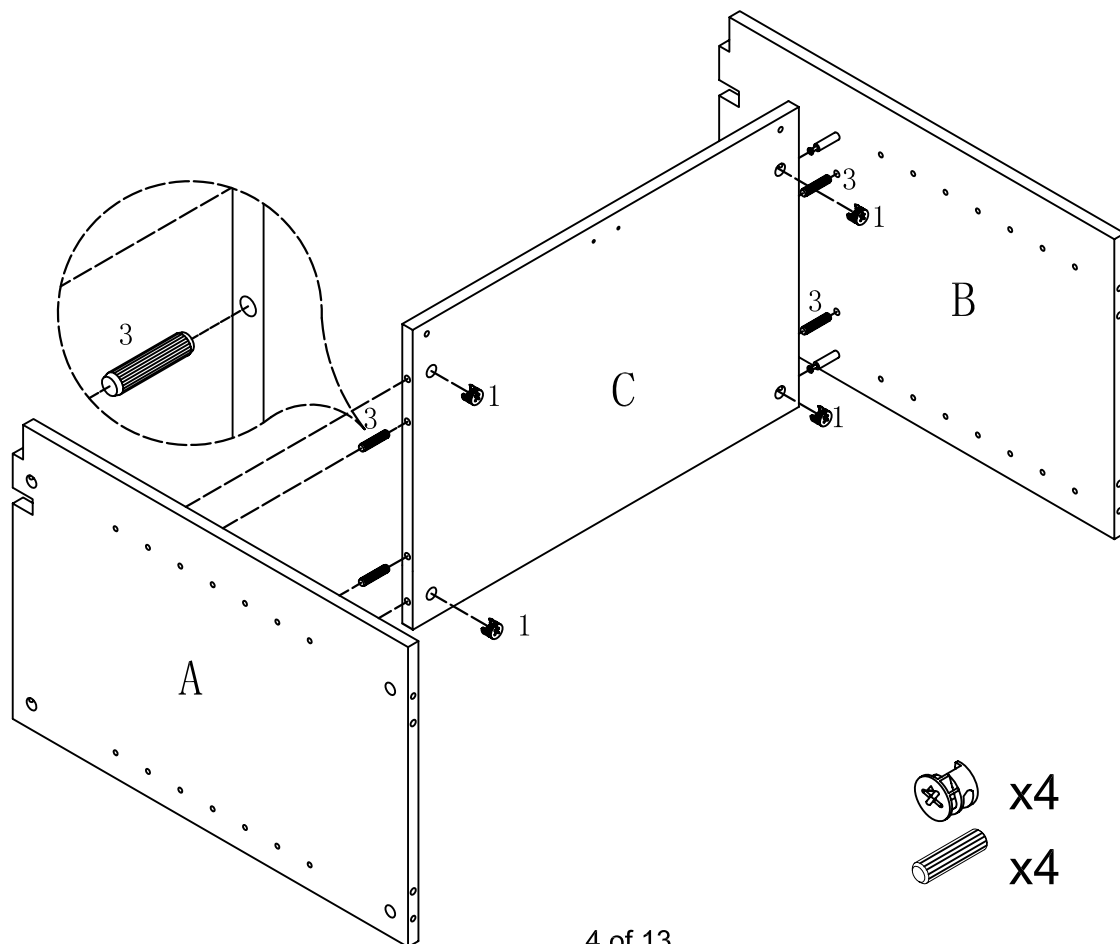
Tools needed: Allen key (part #13)(included)
Phillips Head Screw Driver (Not included)

Note: Wood dowels are intended for alignment purposes only when assembling your furniture. Additional clearance between the wood dowel & pre-drilled hole is intentional for ease of assembly.

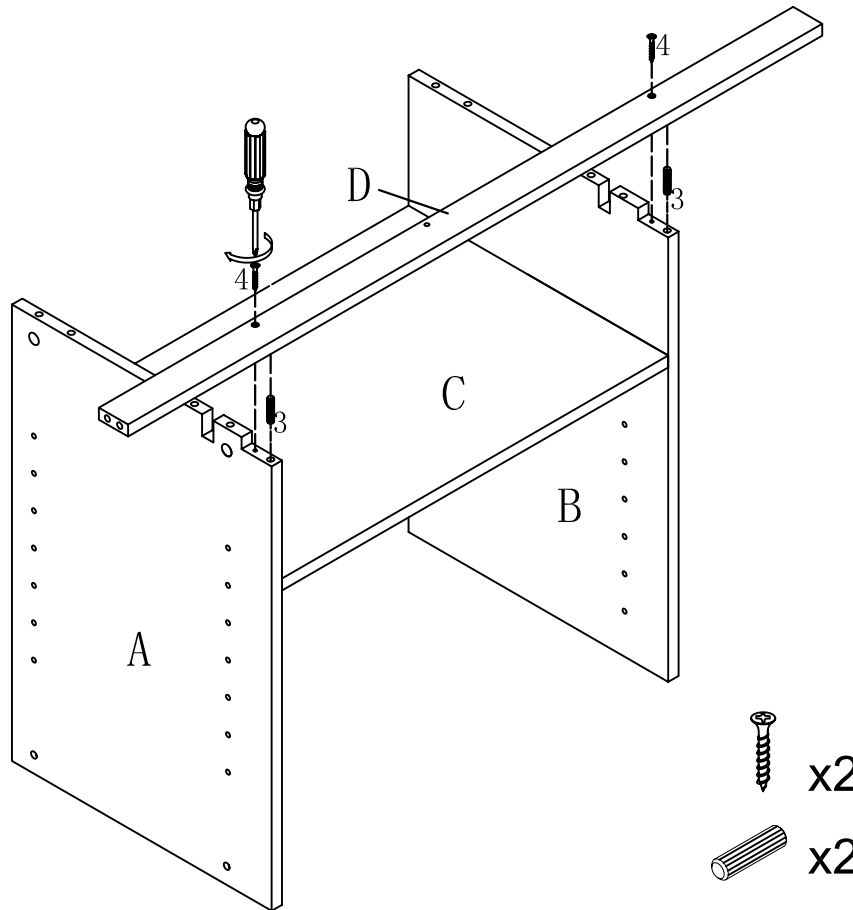
Step 1. Insert Cam Bolts (part #2) into pre-drilled holes of parts A,B,E,F,K & L using a Phillips head screw driver.



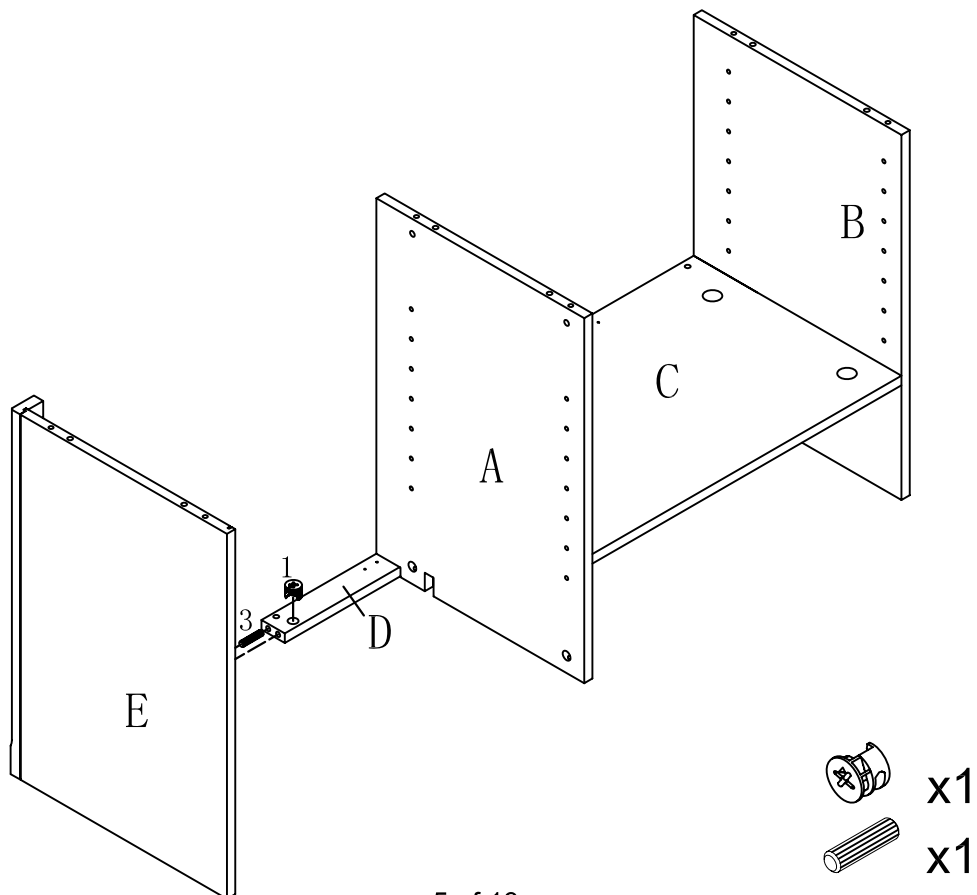
Step 2. Attach panels A & B to shelf C using Cam locks & wood dowels as shown.



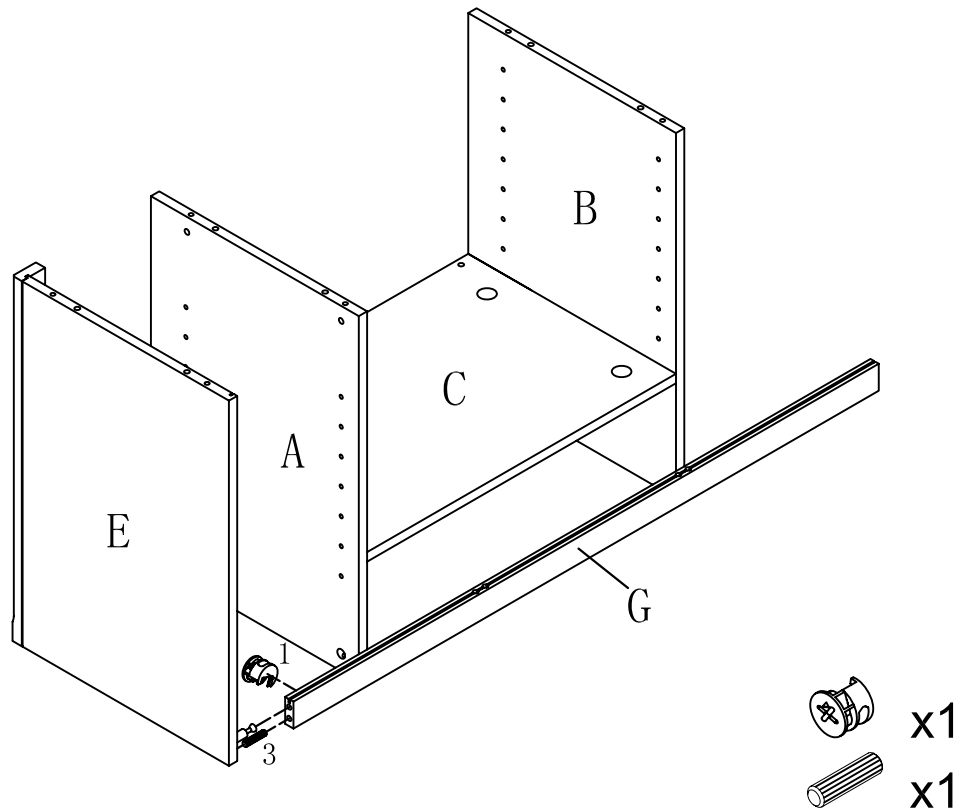
Step 3. Turn assemble parts A,B & C upright with notched cutouts facing upward. Attach Rail D using Wood Screws (part #4) & Wood dowels as shown.



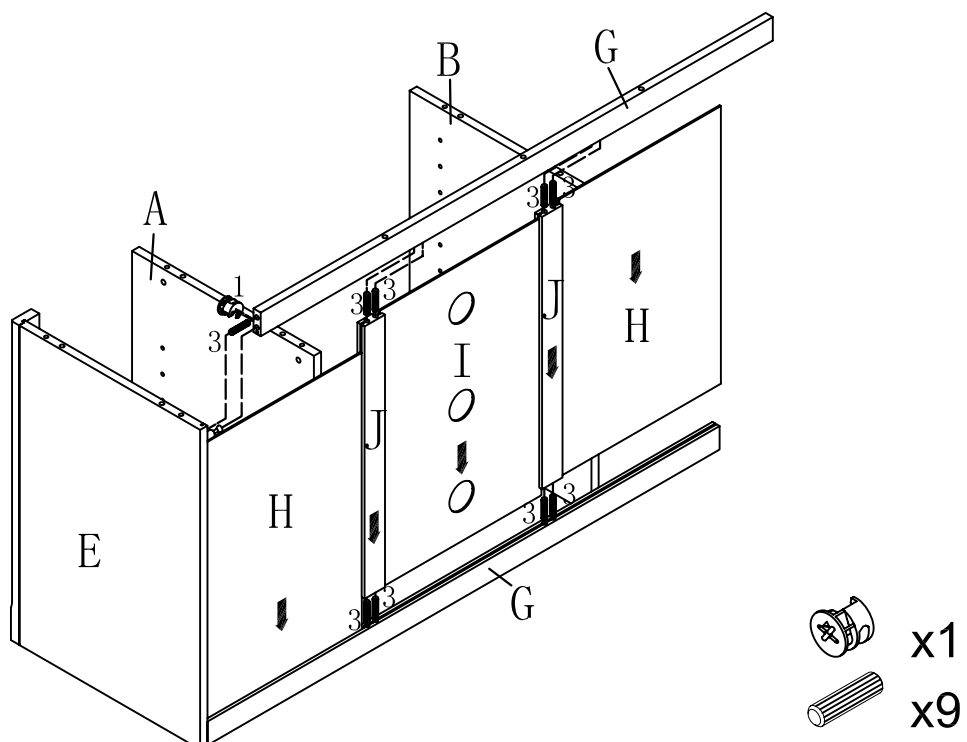
Step 4. Turn unit over with Rail D flat on floor as shown. Attach Panel E to Rail D using Cam lock & Wood dowel as shown.



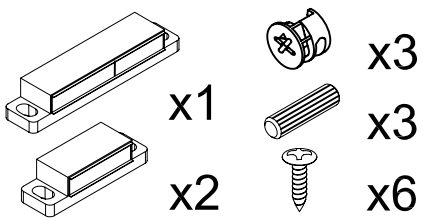
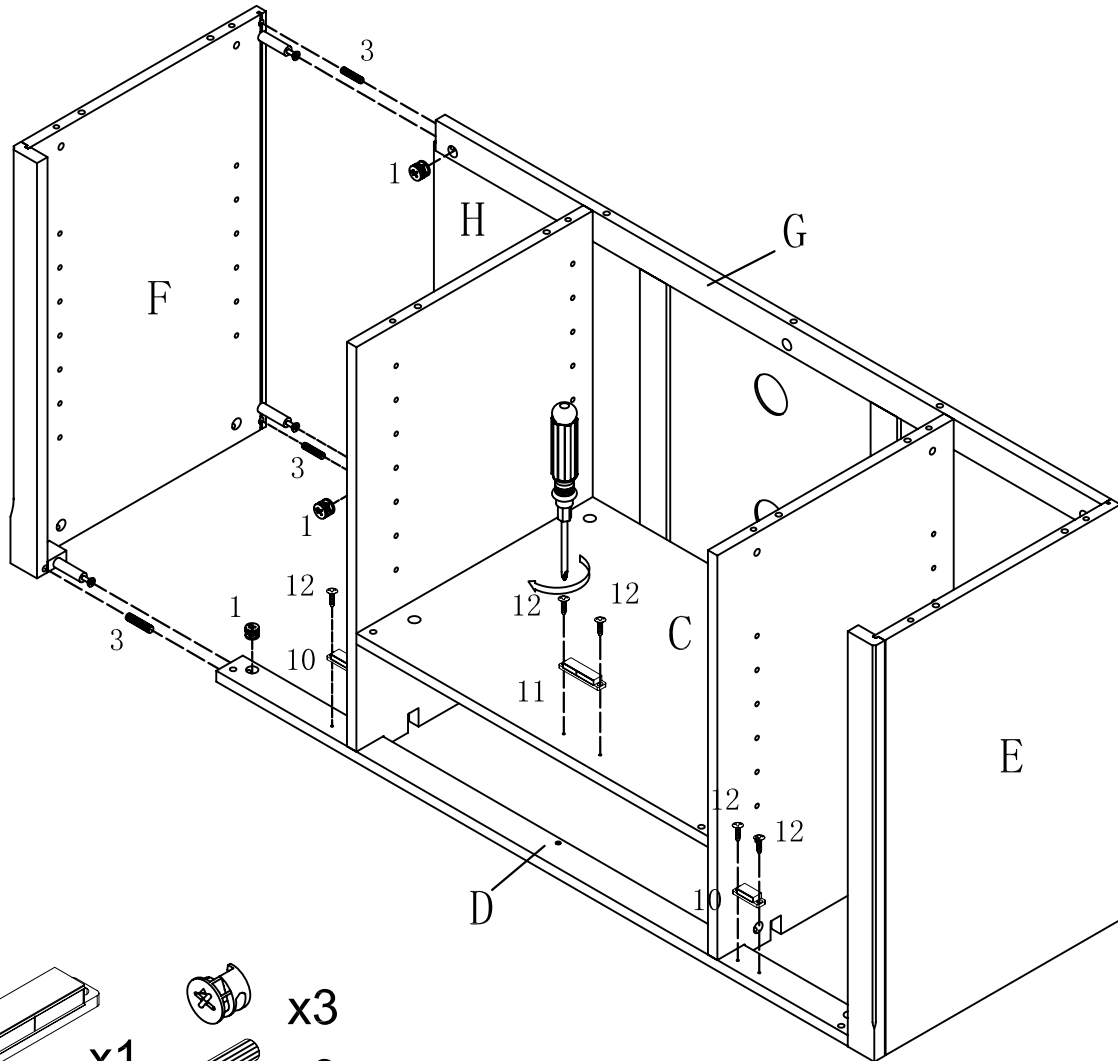
Step 5. Attach Rail G to the unit using Cam lock & Wood dowel as shown.



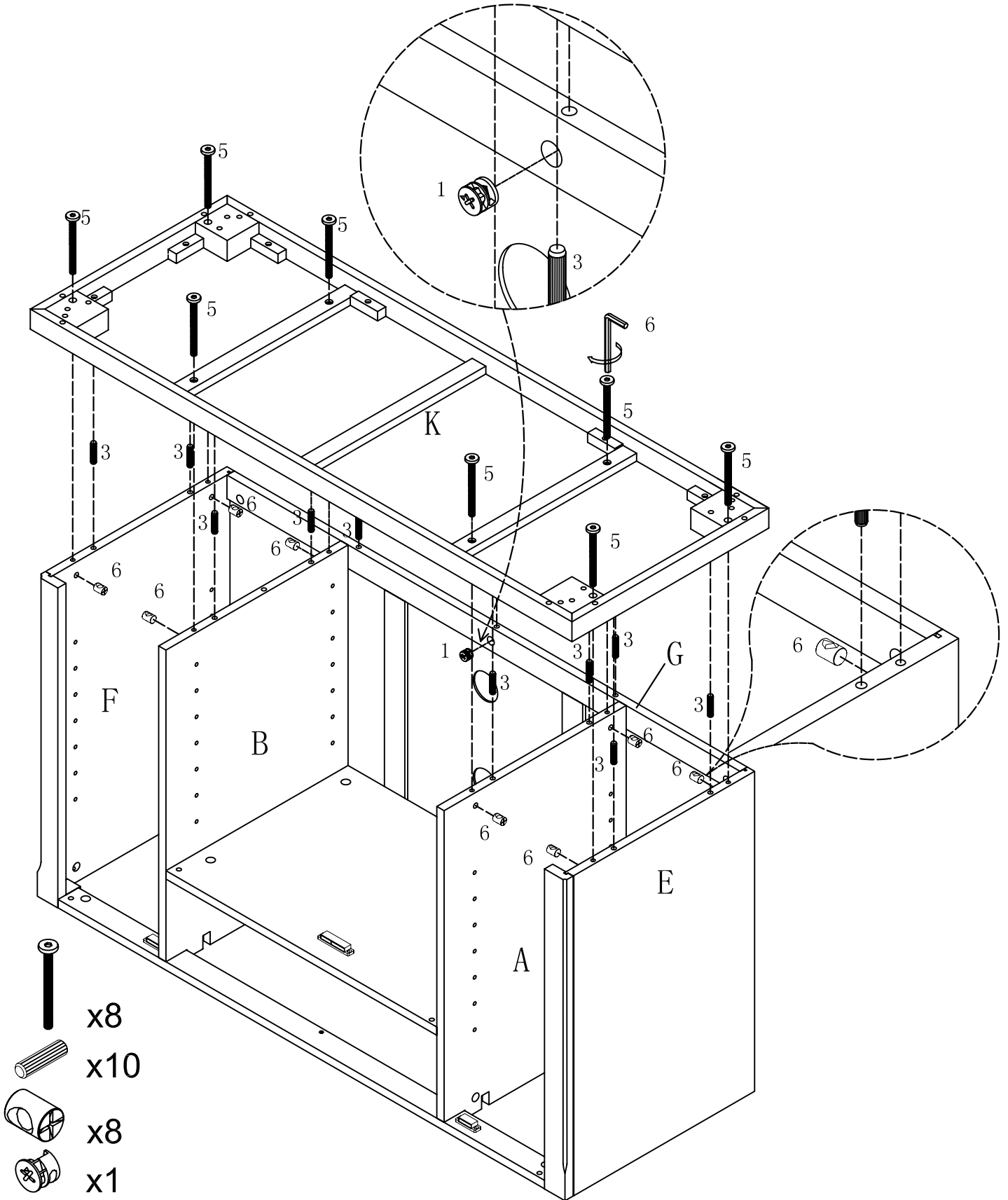
Step 6. Place Rails J into place on Rail G using Wood dowels as shown. Slide Back panels H & Panel I into the grooves as shown. Insert Wood dowels into the top end of Parts J. Attach rail G to Panel E & Rails J using Wood dowels & Cam lock as shown.



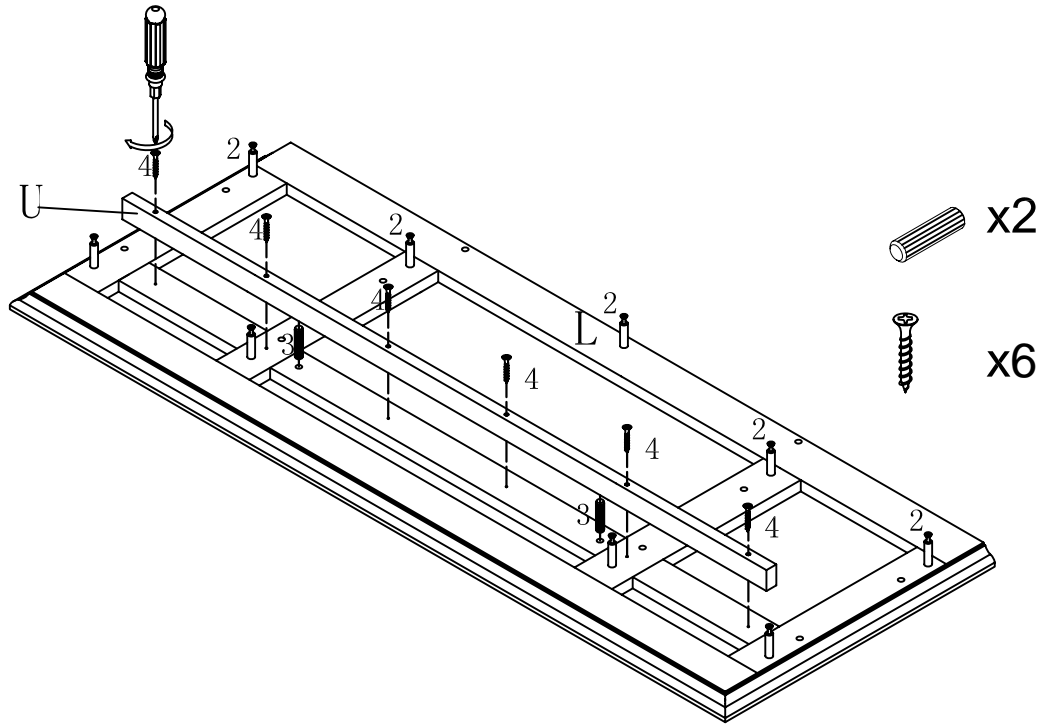
Step 7. Attach Side Panel F using Wood dowels & Cam locks as shown. Attach Magnet (part #11) to Shelf C using Round Head screws (Part #12) as shown. Attach Door Catch Magnet (Part #10) to Rail D using Round Head Screws (Part #12) as shown.



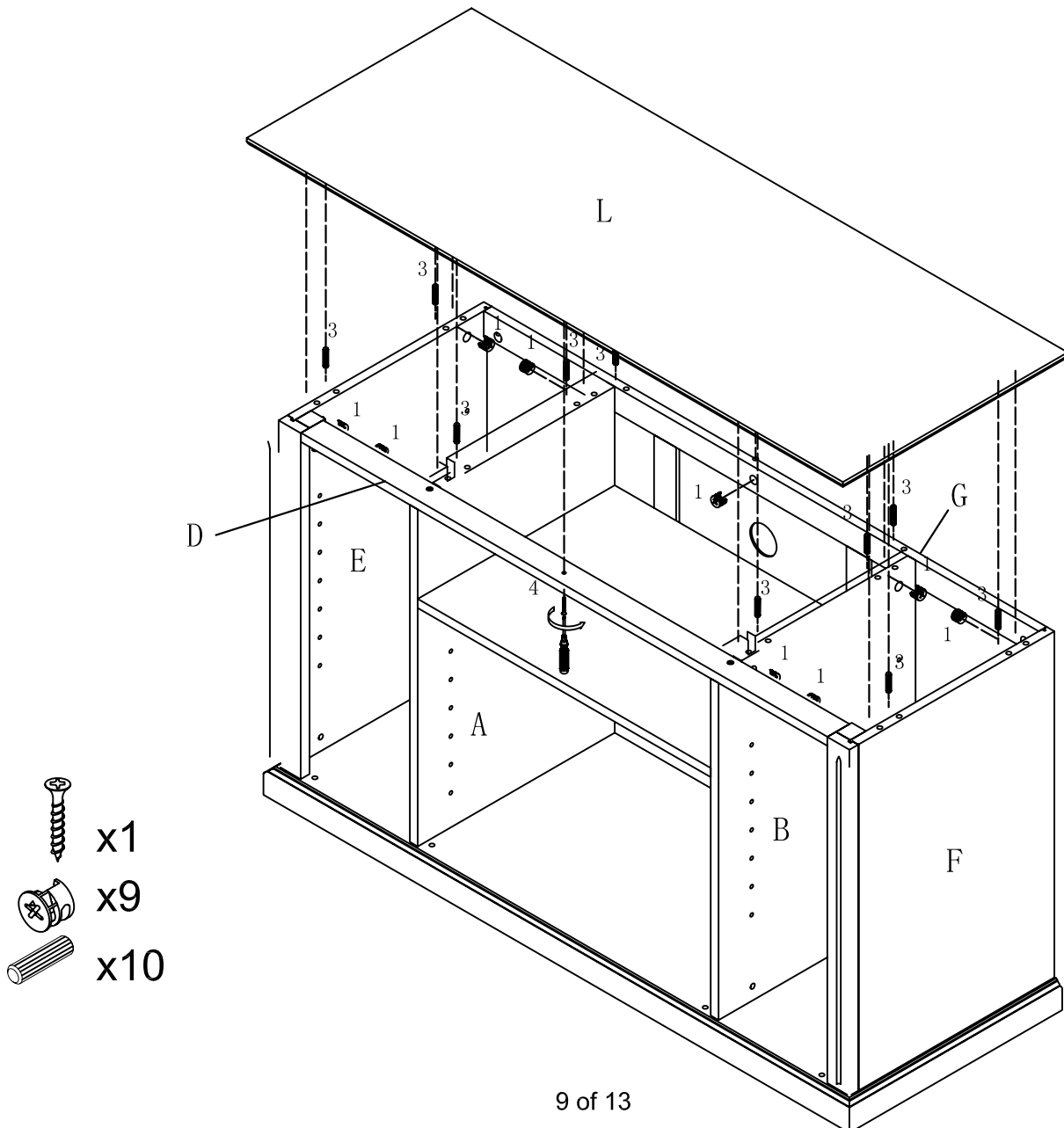
Step 8. With bottom side facing up, attach Base K to cabinet using Wood Dowels, Hex Socket Head Bolt (Part #5) & Barrel Nuts (Part #6) as shown. Attach legs using Hex Socket Head Bolts & Wood dowels (as shown in instruction manual included in carton with legs). **IMPORTANT! - DO NOT ATTACH THE CENTER SUPPORT LEG AT THIS TIME.** Carefully turn cabinet over so that Base K is now on the bottom.



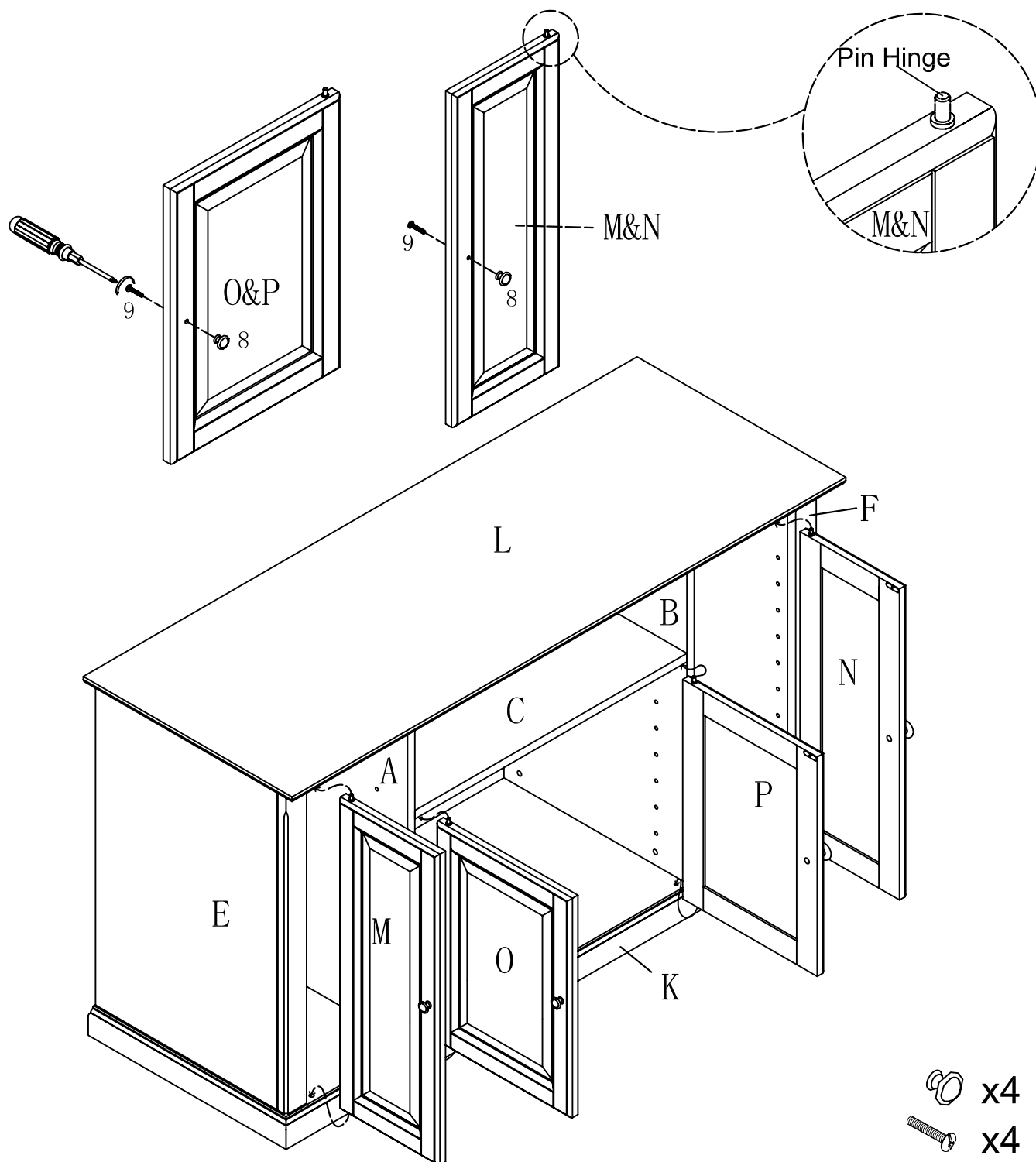
Step 9. Attach Rail U to Top L using Wood Dowels & Screws as shown.



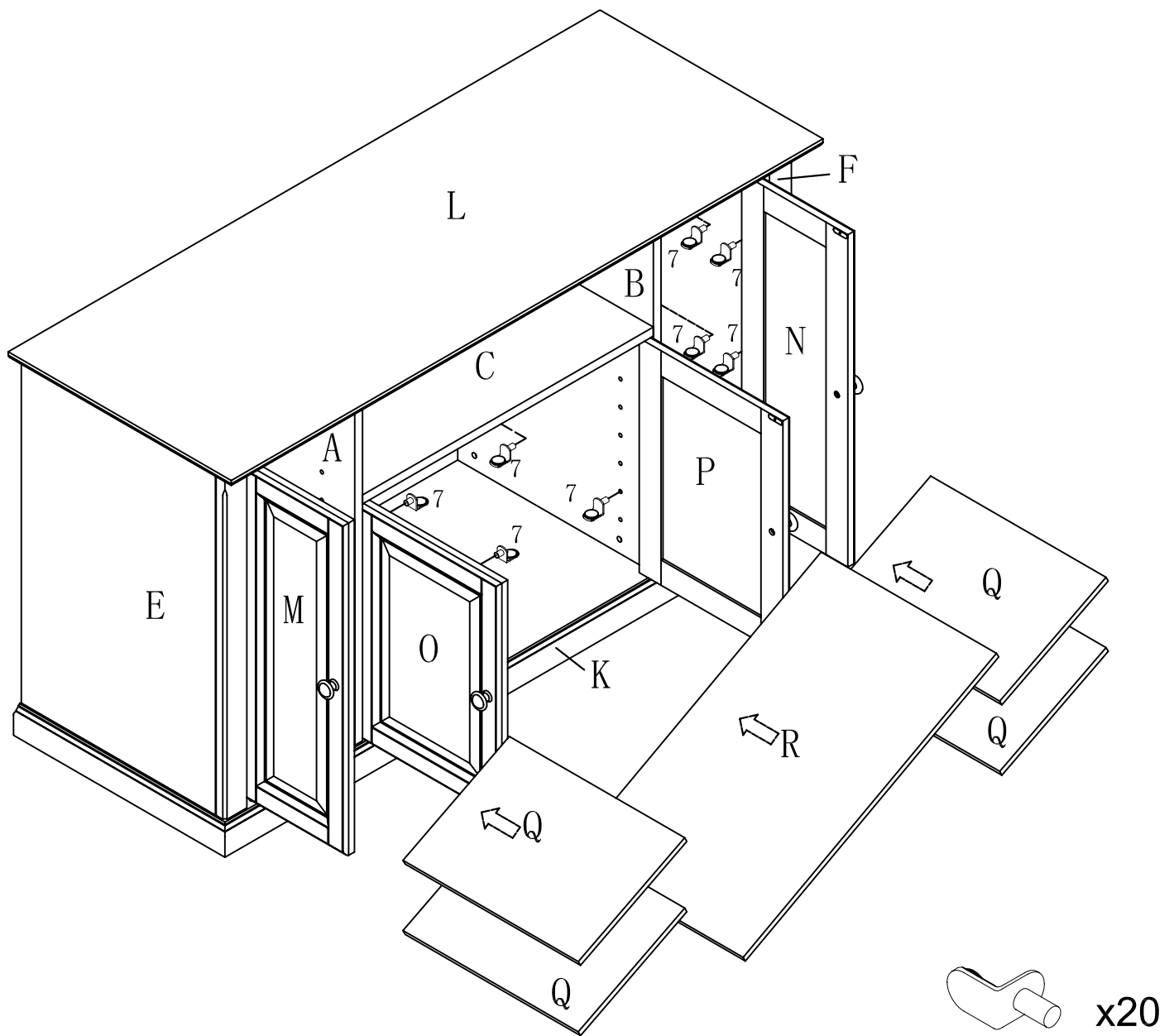
Step 10. Attach Top L to cabinet using Wood Dowels & Cam Locks as shown. Secure Rail D to Top L using one Wood Screw (Part #4) through pre-drilled hole as shown



Step 11. Attach hardware knobs (Part #8) to Doors M,N,O&P using Round Head Bolts (Part #9) and a Phillips Head screw driver. Attach doors to cabinet by placing bottom Pin Hinge into pre-drilled holes at the bottom & depressing top spring loaded Pin Hinge to fit door into place. Note: Be sure Pin Hinges (top & bottom) have fully extended into the pre-drilled holes to secure doors into place.

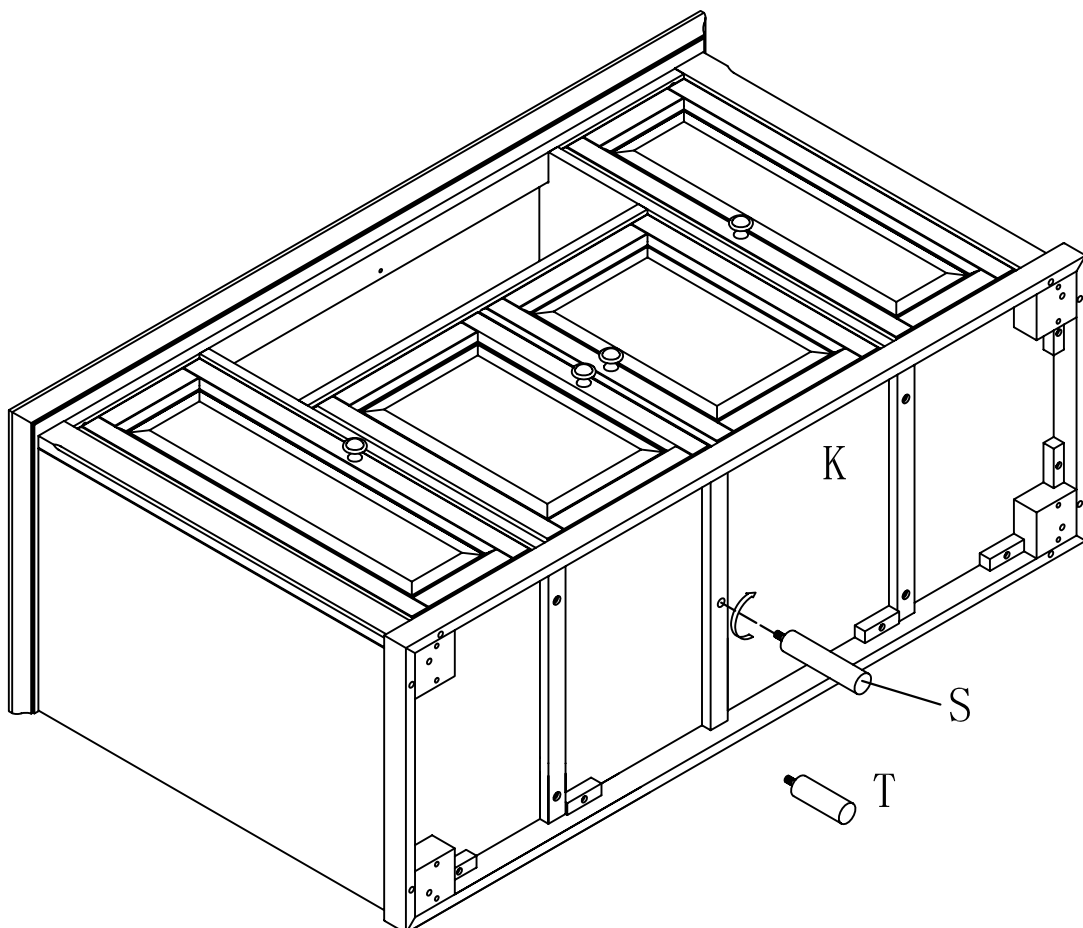


Step 12. Insert the Shelf Holders (Part #7) into desired position and add shelves.



Step 13. Place your assembled cabinet into the desired spot in your home. Attach the Center Support Leg S or T now by turning clockwise into the pre-drilled hole. Support Leg T is for use only with Bun Foot. All other Leg styles will use support leg S. NOTE: The adjustable leveler on the bottom of the Center Support Leg S/T should not be extended until after installation. Adjust the leveler on the bottom of the Center Support leg S/T until it fits tightly against the floor. Use of the support leg is important to support the center of the cabinet.

IMPORTANT! - IF YOU WISH TO RELOCATE YOUR CABINET, BE SURE TO REMOVE THE CENTER SUPPORT LEG. RE-INSTALL AFTER THE CABINET HAS BEEN MOVED.



C R O S L E Y
F U R N I T U R E

Limited Manufacturers Warranty

Crosley Furniture Products are warranted against defects in material and workmanship for a period of 90 days beginning from the date of sale. Should any parts be missing or defective, we will replace or repair the parts for a period of 90 days from the date of purchase.

Should you experience any missing or damaged parts, do not return to the store. Please contact us directly at 800-815-4796 from 9 AM to 5 PM (EST) Monday to Friday.

This warranty gives the purchaser specified legal rights in addition to any rights which may vary from state to state.

In accordance with the "Moss-Magnuson Warranty Act" of July 10, 1975, this is termed a "limited warranty" which in no way compromises Crosley Furniture's high standards of Quality and Workmanship.