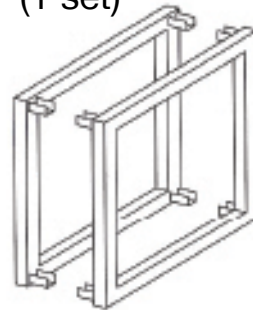


Assembly Instructions SANDOR Side Table

PLEASE NOTE: Check that you have received all components and hardware before assembling. If you are missing any parts, contact your retailer, or fax Euro Style at 415.455.8033.



A (1 set)



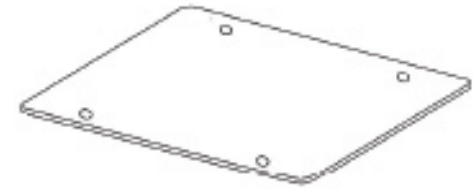
B (2 pcs)



C (2 pcs)



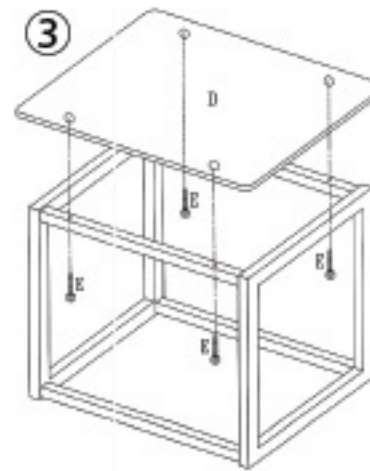
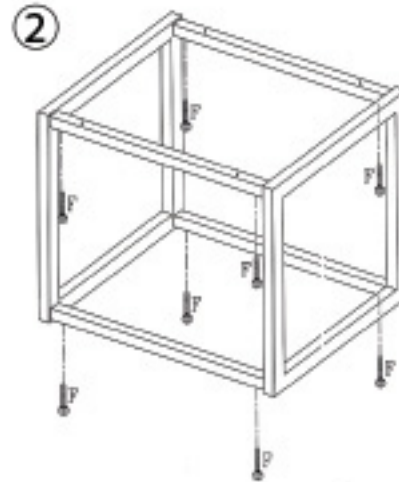
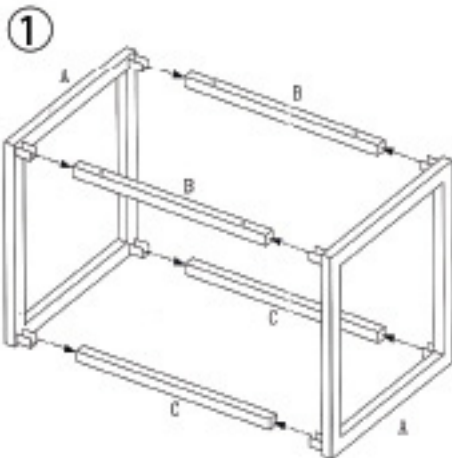
D (1 pc)



E (4 pcs)



F (8 pcs)



During assembly, hand tighten screws only. When all screws are in place, then tighten completely.