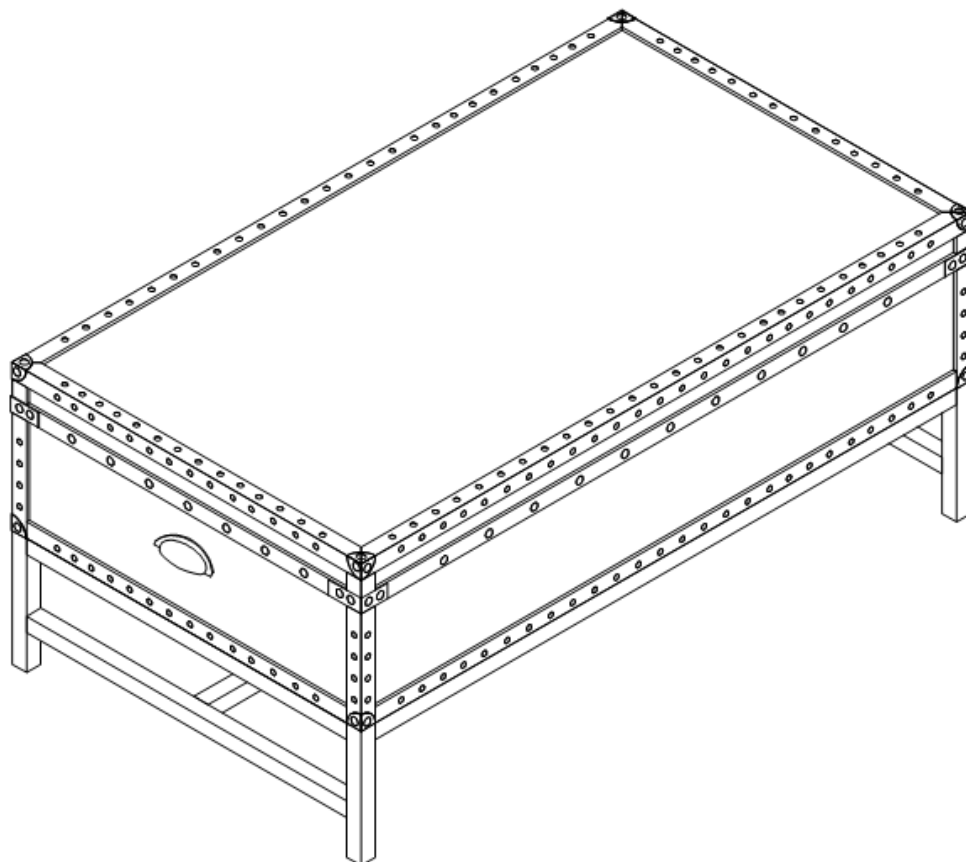


CK982000TX
"Voyager" Storage Cocktail
Table
Assembly Instruction



For assistance with assembly contact:
Southern Enterprises Inc.
Customer Service 1-800-633-5096
service@seidal.com
www.seidal.com

Max top load 60 lb, max inside load 40 lb.



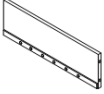
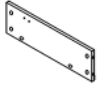
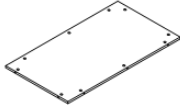

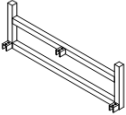


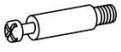




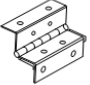



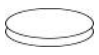






CK982000TX

“Voyager” Storage Cocktail Table

Parts List

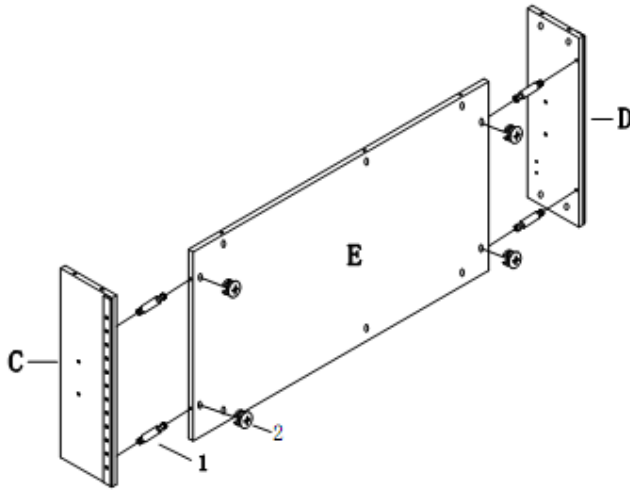
Please review all parts and hardware before disposing of any packaging. Call Customer Service if missing hardware. Do not return to store/retailer. Screws shown actual size. Using a screw that is too long will cause damage. Before beginning assembly, separate each type of screw. Carefully study the screw diagrams below. You may receive extra hardware with your unit.

A  Quantity Of 1 Back Panel	B  Quantity Of 1 Front Panel	C  Quantity Of 1 Left Side Panel	
D  Quantity Of 1 Right Side Panel	E  Quantity Of 1 Bottom Panel	F  Quantity Of 1 Top Panel	
G  Quantity Of 2 Metal Side Frame	H  Quantity Of 2 Top Stretcher	I  Quantity Of 1 Bottom Stretcher	
1  Quantity Of 18 Cam Bolt $\frac{1}{4}$"x1-1/2"	2  Quantity Of 18 Cam Lock $\frac{5}{8}$"x1"	3  Quantity Of 1 Left Support	4  Quantity Of 1 Right Support
5  Quantity Of 8 Screw $\frac{1}{8}$"x1/2"	6  Quantity Of 2 Hinge	7  Quantity Of 16 Screw $\frac{1}{8}$"x5/8"	8  Quantity Of 2 Handle
9  Quantity Of 4 Bolt $\frac{5}{32}$" x1/2"	10  Quantity Of 10 Adhesive Pad	11  Quantity Of 10 Bolt $\frac{1}{4}$" x 2"	12  Quantity Of 10 Flat washer $\frac{1}{4}$"x3/4"
13  Quantity Of 1 Wrench	14  Quantity Of 6 Bolt $\frac{1}{4}$"x 3/4"		
Care and Cleaning Instructions: Before using, wipe with a clean, dry cloth. Periodically apply furniture wax to renew the finish on wood part. Avoid rubbing or scratching the surface with rough or abrasive objects.		For replacement parts or questions, please call Customer Service at 1-800-633-5096. Do not return product to store. Please call manufacturer for assistance, questions or parts.	

Assembly Tool Required
No.2 Phillips Screw Driver



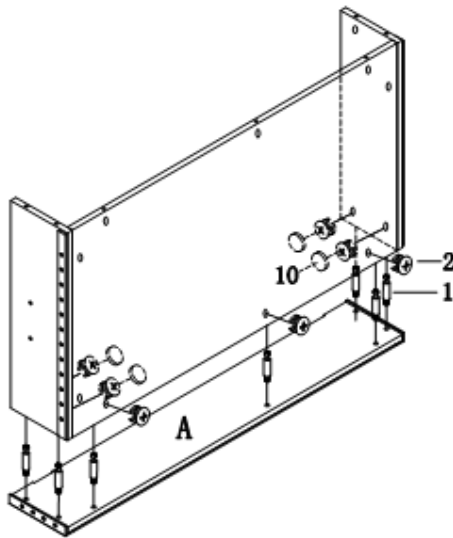
CK982000TX "Voyager" Storage Cocktail Table Assembly Instruction



Step 1:

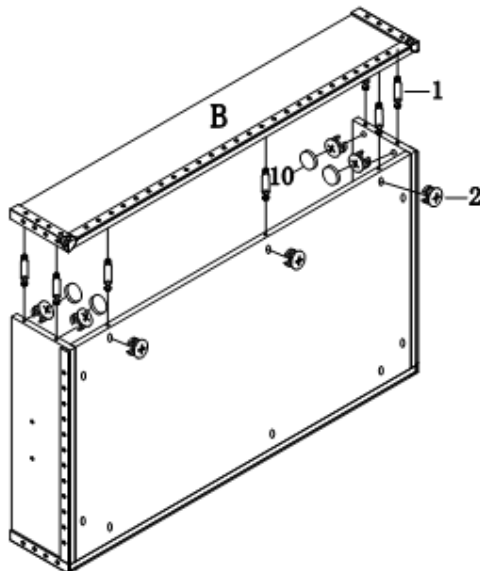
Put all parts on a soft surface to prevent scratches.

Attach left side panel (C) and right side panel (D) to bottom panel (E) by using cam bolt (1) and cam lock (2) as shown.



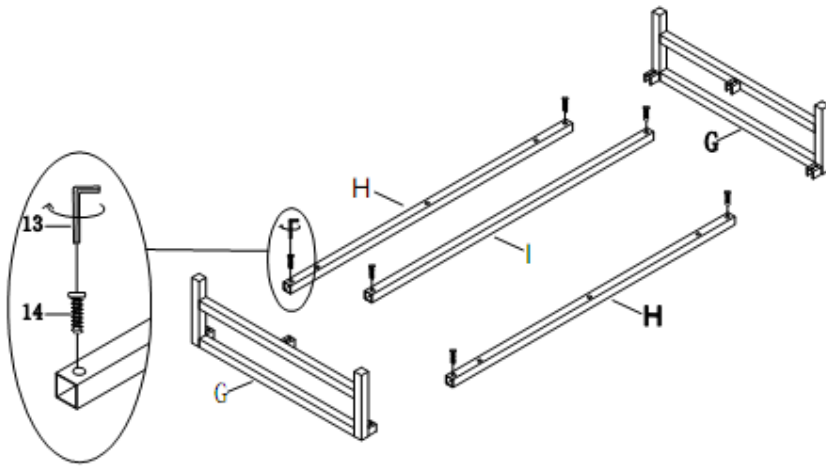
Step 2:

Attach back panel (A) to trunk base by using cam bolt (1), cam lock (2) and adhesive pad (10) as shown.



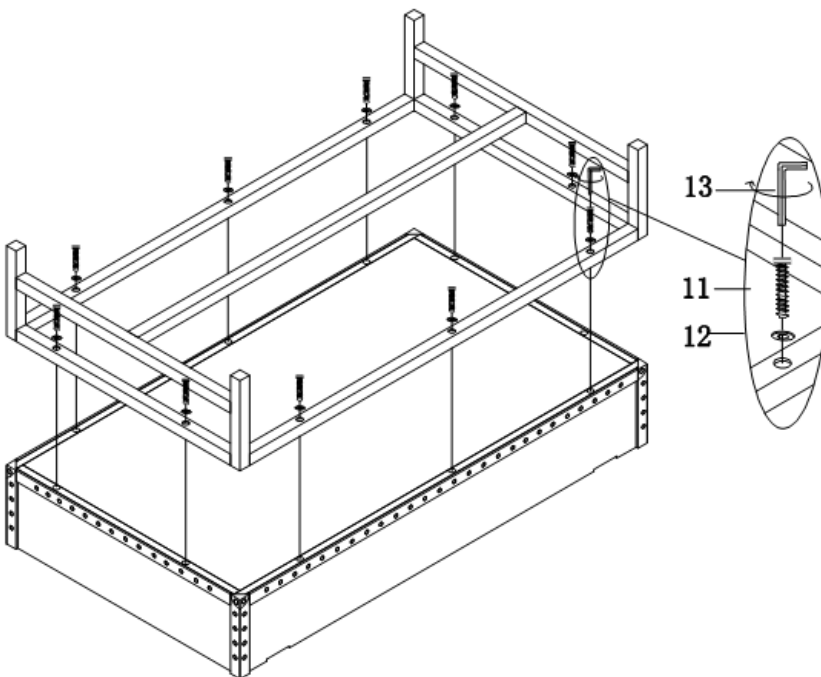
Step 3:

Attach front panel (B) to trunk base by using cam bolt (1), cam lock (2) and adhesive pad (10) as shown.



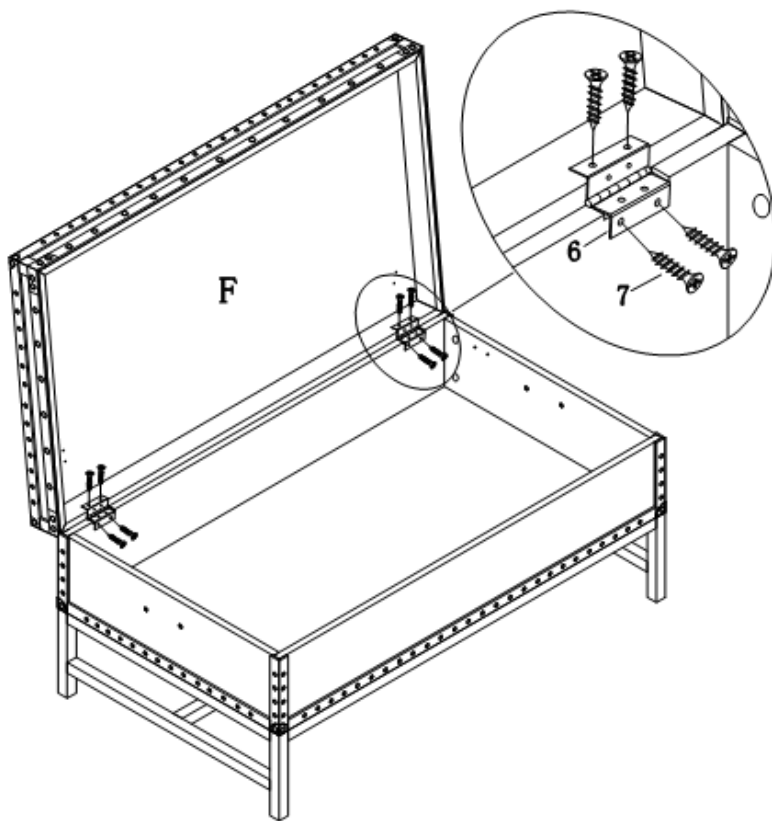
Step 4:

Attach metal side frame (G) to top stretcher (H) and bottom stretcher (I) by using bolt (14) as shown.



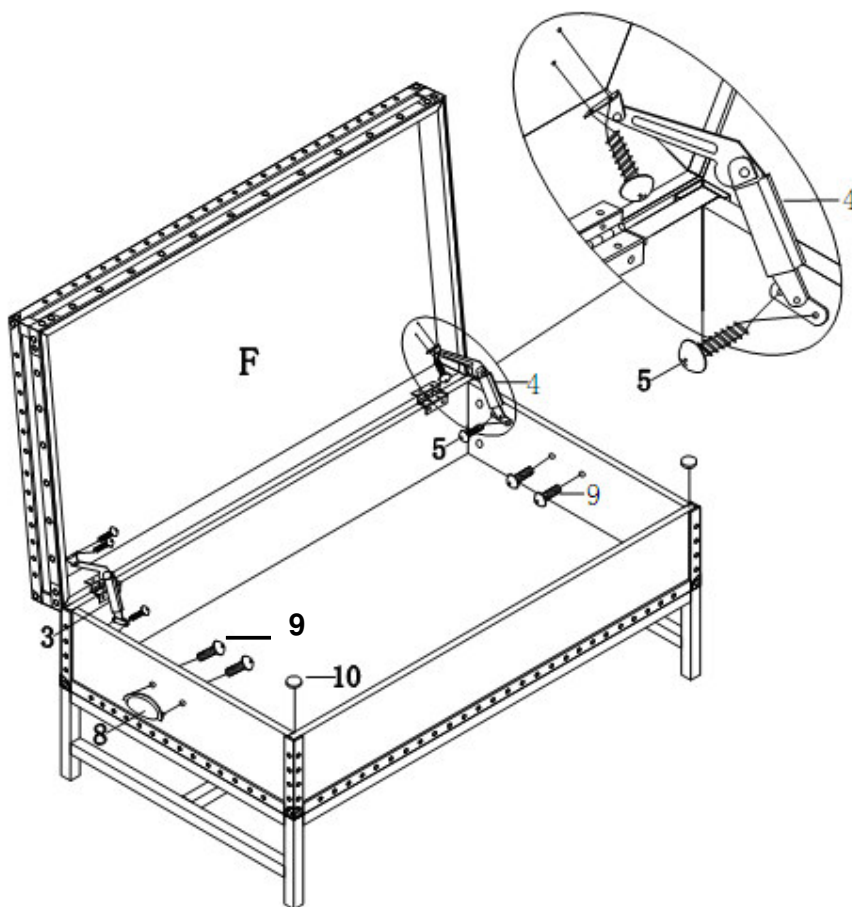
Step 5:

Attach metal frame to trunk base by using bolt (11) and flat washer (12) as shown.



Step 6:

Attach top panel (F) to the trunk base by using screw (7) and hinge (6) as shown. Using Phillips screw driver to tighten them.



Step 7:

Attach left support (3) and right support (4) to the top panel (F) and trunk base by using screw (5) as shown.

Attach handle (8) to left side panel (C) and right side panel (D) by using bolt (9) as shown.

Then put adhesive pad (10) onto front panel (B) as shown, close the top and leave the top to drop down slowly.

Noted: Please do not open the lid all the way back.

We'd love to hear from you! Email us photos of our products in your home at sei@seidal.com and we might feature it on our site or use it to model one of our inspirational photos.

“PARTS WILL BE SENT IF AVAILABLE FROM SEI” “THIS IS NOT A WARRANTY”

Parts Replacement Form

Customer Information

Name _____

Address _____

City/State/Zip Code _____

Phone Number _____

Please indicate where you purchased this item: Store/ Website/ Catalog

Please indicate color/size/style number:

Style No

Parts Letter

Parts Description

Quantity Needed

Please count, identify and compare parts and hardware list to be sure all parts are present. It may help to divide parts and label them to correspond with part list. Extra hardware may be included. If any items are missing, **please contact Southern Enterprises at 800-633-5096 or in Dallas (972) 869-0111/ 9am – 4pm Mon-Fri Central time if you have product issues with your purchase. Please ask for a customer service representative for issues involving damages or replacement parts. Please ask for a technical assistance representative for any issues with product assembly and product construction. Please contact the retailer that you purchased from for returns.**

Missing or damaged hardware and/ or parts will be replaced free of charge. **We do not sell parts. We do not recommend modifying product(s) and we are not responsible for any damages due to product modification(s).**

If this product has not been purchased from our retail affiliates (within 9 months), we are under no obligation to provide parts or replacements merchandise. Parts will not be available for items arriving fully assembled.



Customer Service 1-800-633-5096

service@seidal.com

Southern Enterprises, Inc.

600 Freeport Parkway, Suite 200

Coppell, Texas 75019