

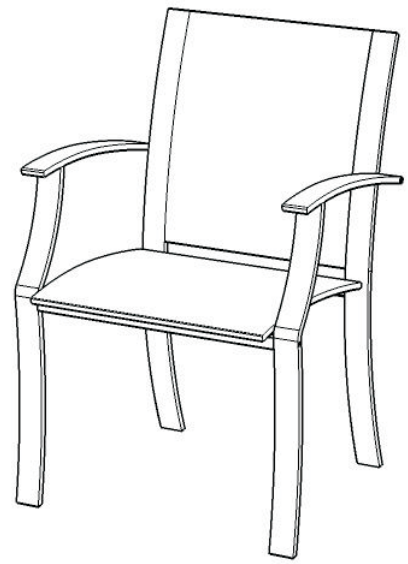
88 5600 81 Newport Chair (Walnut Brown Woven Vinyl)

IMPORTANT NOTE

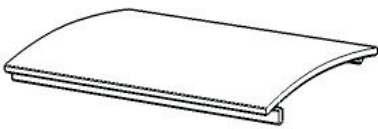
Carefully remove all the parts from the carton and put them individually on a soft cloth to prevent scratches or other damages occurring to the parts.

We have taken great care in the design of this product and request that you carefully and strictly follow our assembly instructions to ensure a completed product as it was designed.

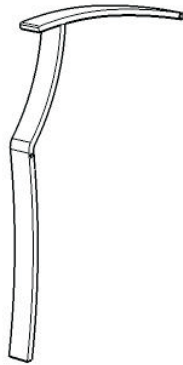
*Home
Styles*



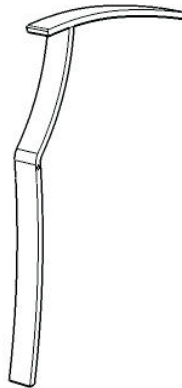
Unit Part List



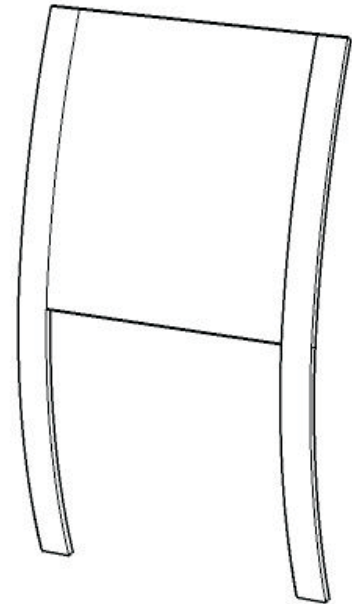
A.
Seat
1 pc.



B.
Leg
1 pc.



C.
Leg
1 pc.



D.
Back Frame
1 pc.

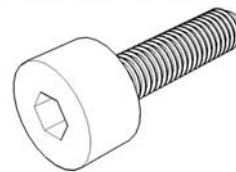
Hardware List



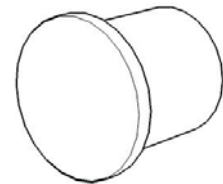
**Small
Hex Wrench**
1 pc.



Hex Wrench
1 pc.



Head Cap Bolt
6 pcs.(+1 extra)



Plastic Cap
6 pcs.(+1 extra)

Assembly Instructions

IMPORTANT

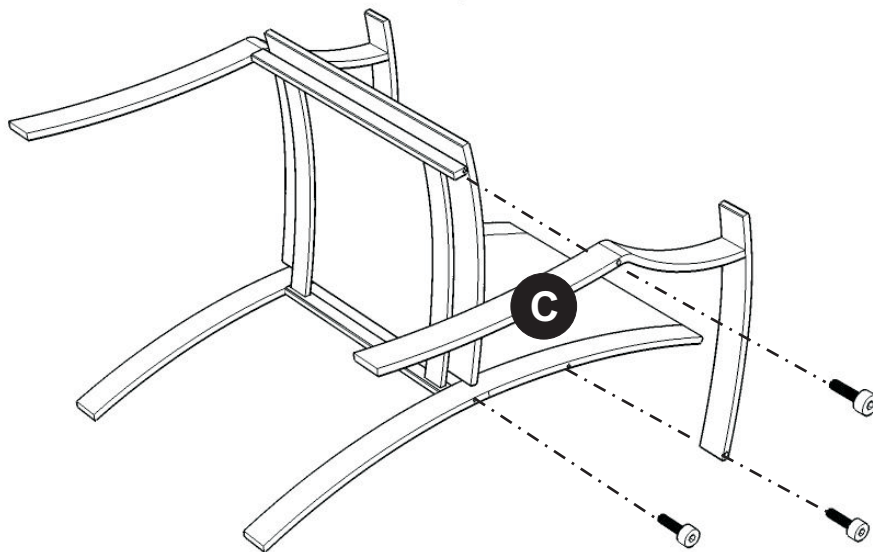
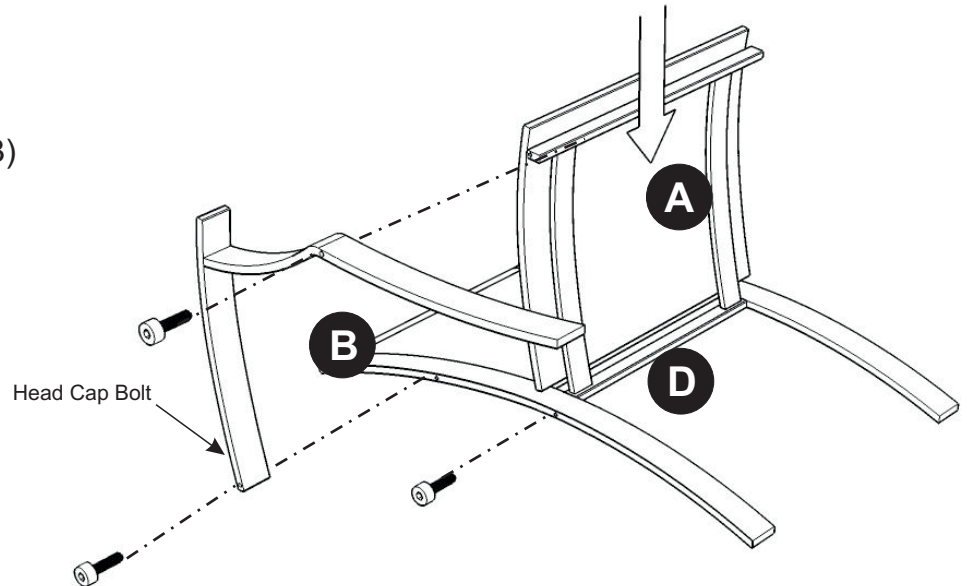
* Do not tighten up all the screws until each part is properly assembled.

* You should keep Hex Wrench in a safe place as you may need to tighten up the Head Cap Bolts in the future.

* After assembly, item must be level to work properly. Use the included adjustable levelers to level.

STEP 1

Attach Seat (A) and Leg (B) to Back Frame (D) with Head Cap Bolts.



STEP 2

Attach Leg (C) to unit with Head Cap Bolts.

Turn the Chair to its' upright position.

STEP 3

Cover all holes with Plastic Caps.
(See figure 1)

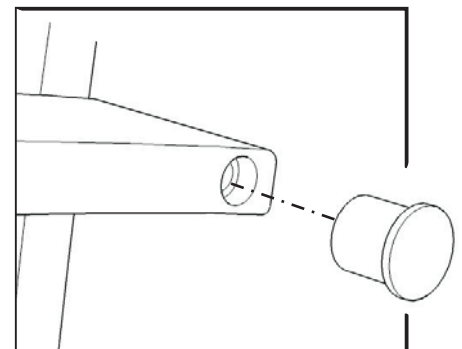


Figure 1

88 5601 331

Stone Harbor

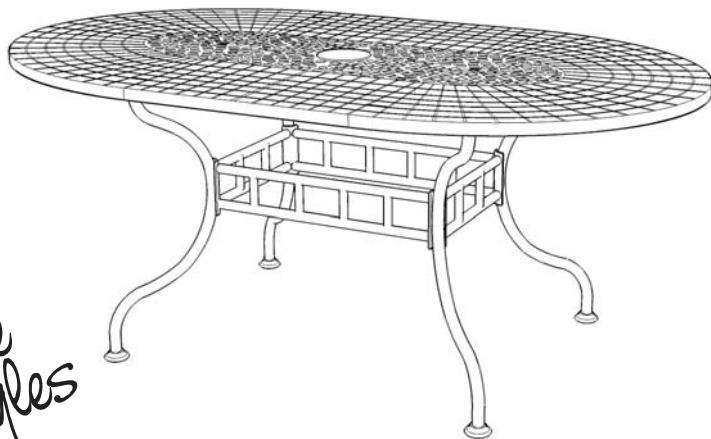
Slate Tile Top Oval Table

IMPORTANT NOTE

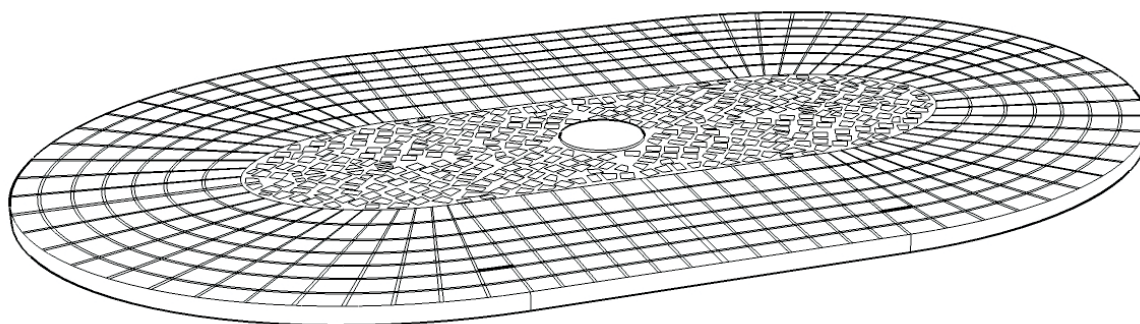
Carefully remove all the parts from the carton and put them individually on a soft cloth to prevent scratches or other damages occurring to the parts.

We have taken great care in the design of this product and request that you carefully and strictly follow our assembly instructions to ensure a completed product as it was designed.

Home
Styles



Part List



A.
Top
1 pc.

Also need the following from carton 88 5601 332

Part List in carton 88 5601 332

Leg (B)	4 pcs.
Stretcher (C)	1 pc.

Hardware List in carton 88 5601 332

Hex Wrench	1 pc.
Head Cap Bolt	8 pcs.
Wing Nut	4 pcs.
Flat Washer	4 pcs.

For assembly see instructions in carton 88 5601 332

Home Styles Consumer Assistance Line 888-680-7460 and 877-831-0319
servicedesk@homestyles-furniture.com

88 5601 332

Stone Harbor

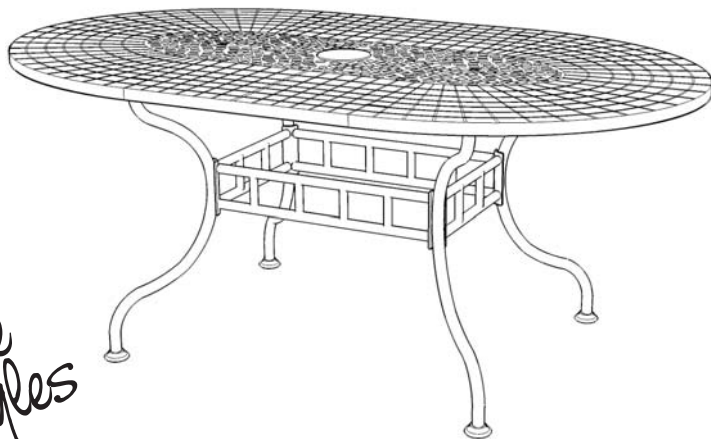
Slate Tile Top Oval Table

IMPORTANT NOTE


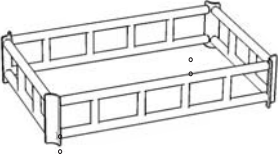
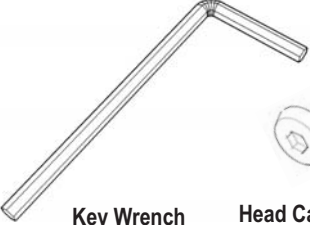



Carefully remove all the parts from the carton and put them individually on a soft cloth to prevent scratches or other damages occurring to the parts.

We have taken great care in the design of this product and request that you carefully and strictly follow our assembly instructions to ensure a completed product as it was designed.

Home Styles

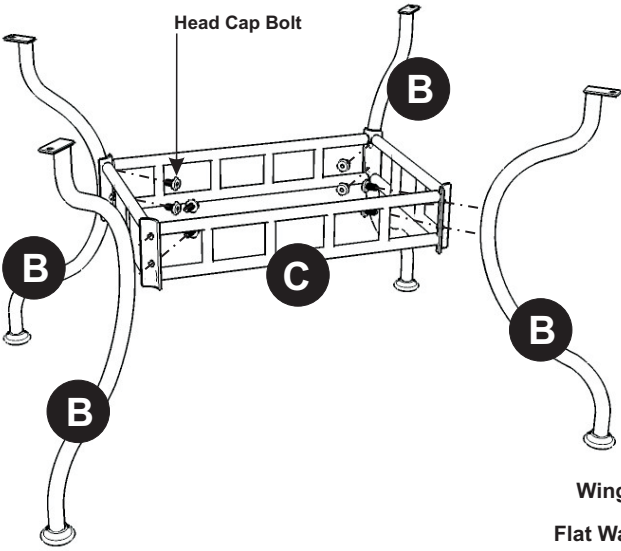


Part List	Hardware List
-----------	---------------

 <p>B. Leg 4 pcs.</p>  <p>C. Stretcher 1 pc.</p>	 <p>Key Wrench 1 pc.</p>  <p>Head Cap Bolt 8 pcs. (+1 extra)</p>  <p>Wing Nut 4 pcs. (+1 extra)</p>  <p>Flat Washer 4 pcs. (+1 extra)</p>
--	---

Also need the following from carton 88 5601 331

Top (A) 1 pc.



STEP 1

Attach Legs (B) to Stretcher (C) with Head Cap Bolts.

STEP 2

Attach unit from Step 1 to Top (A) with Flat Washers and Wing Nuts.

Turn unit to its' upright position.

