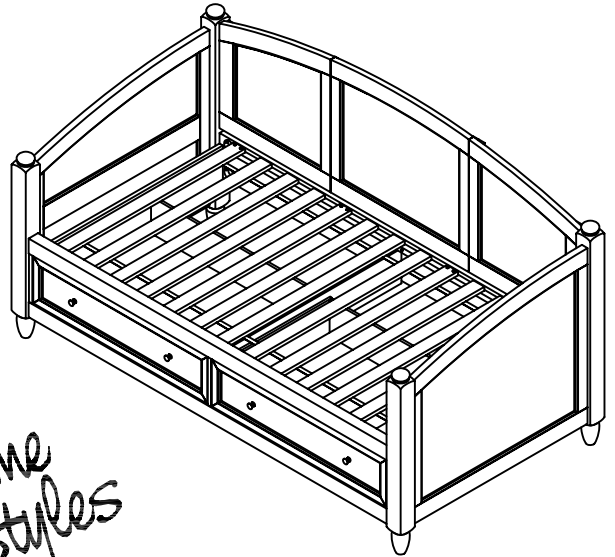


# 88 5530 852 Naples Daybed

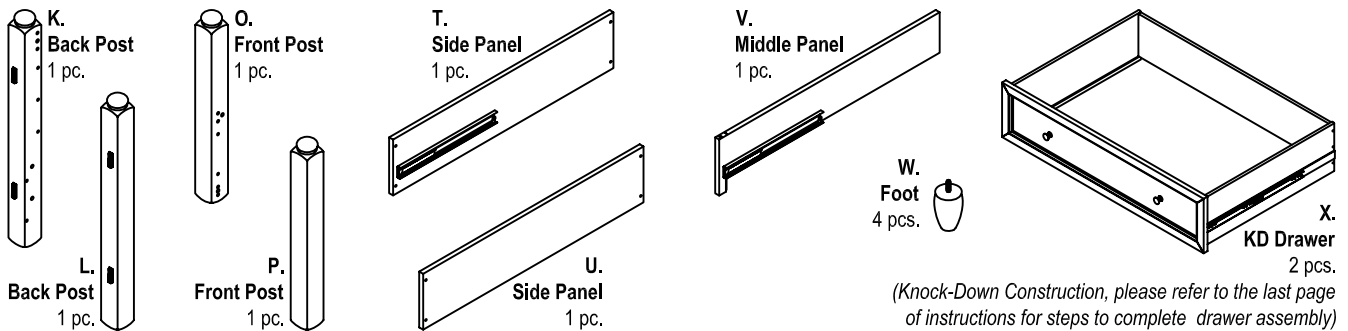


## IMPORTANT NOTE

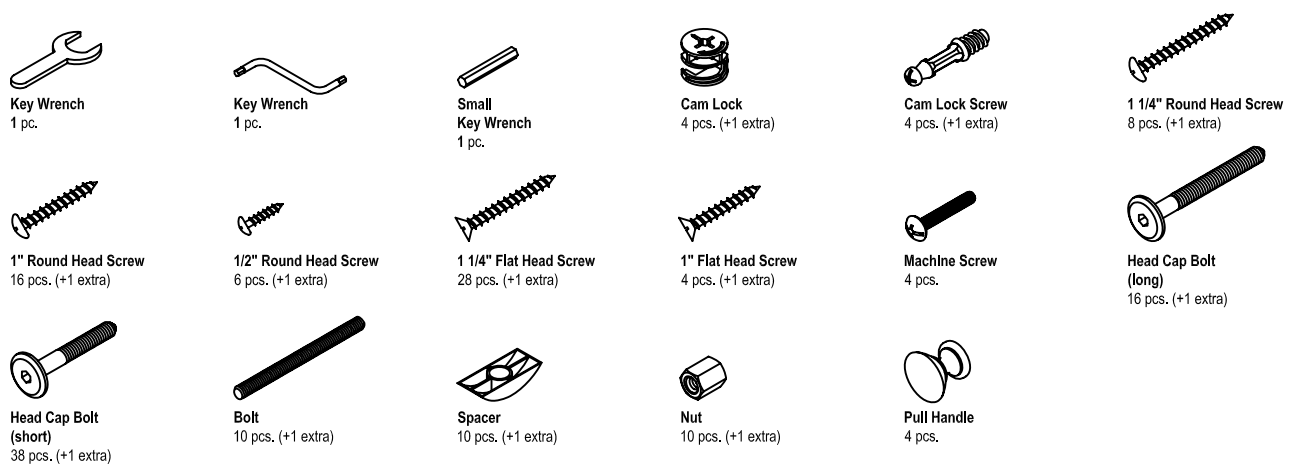
Carefully remove all the parts from the carton and put them individually on a soft cloth to prevent scratches or other damages occurring to the parts.

We have taken great care in the design of this product and request that you carefully and strictly follow our assembly instructions to ensure a completed product as it was designed.

## Part List



## Hardware List



## For assembly also need the following :

88 5530 851 Naples Daybed		Carton quantity: 1	88 5530 853 Naples Daybed		Carton quantity: 1
<b>A. Back Panel</b>	1 pc.	<b>M. Side Panel</b>	1 pc.	<b>D. Corner Cleat</b>	2 pcs.
<b>B. Back Panel</b>	1 pc.	<b>N. Side Panel</b>	1 pc.	<b>E. Short Cleat</b>	2 pcs.
<b>C. Back Panel</b>	1 pc.	<b>X6. Base Part</b>	2 pcs.	<b>F. Long Cleat</b>	2 pcs.
				<b>G. Short Cleat</b>	2 pcs.
				<b>H. Long Cleat</b>	2 pcs.
				<b>I. Stretcher</b>	1 pc.
				<b>J. Back Rail</b>	1 pc.
				<b>Q. Front Rail</b>	1 pc.
				<b>R. Front Rail</b>	1 pc.
				<b>S. Slat</b>	1 pc.

Tools Required For Assembly : Phillips screwdriver

Tools Recommended For Assembly : Level

**Home Styles Consumer Assistance Line 888-680-7460 and 877-831-0319**  
**servicedesk@homestyles-furniture.com**

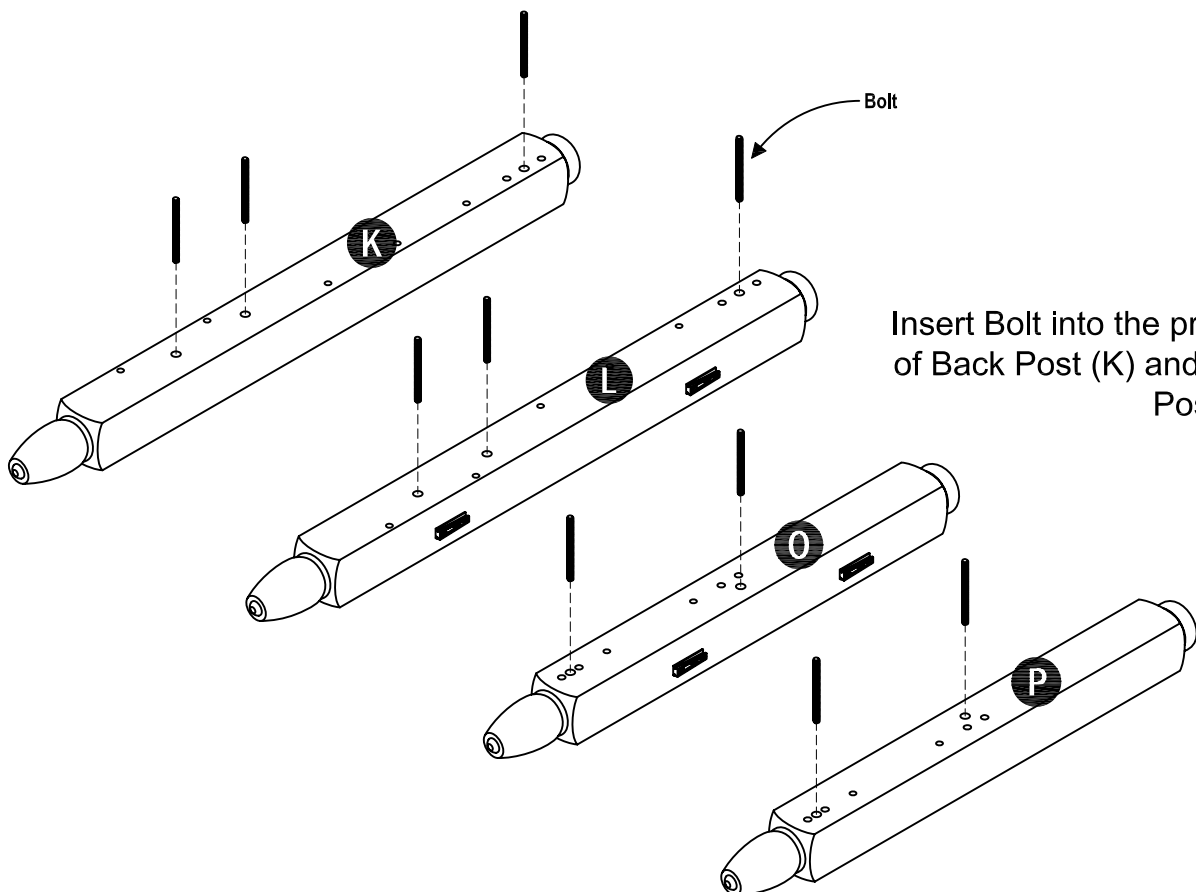
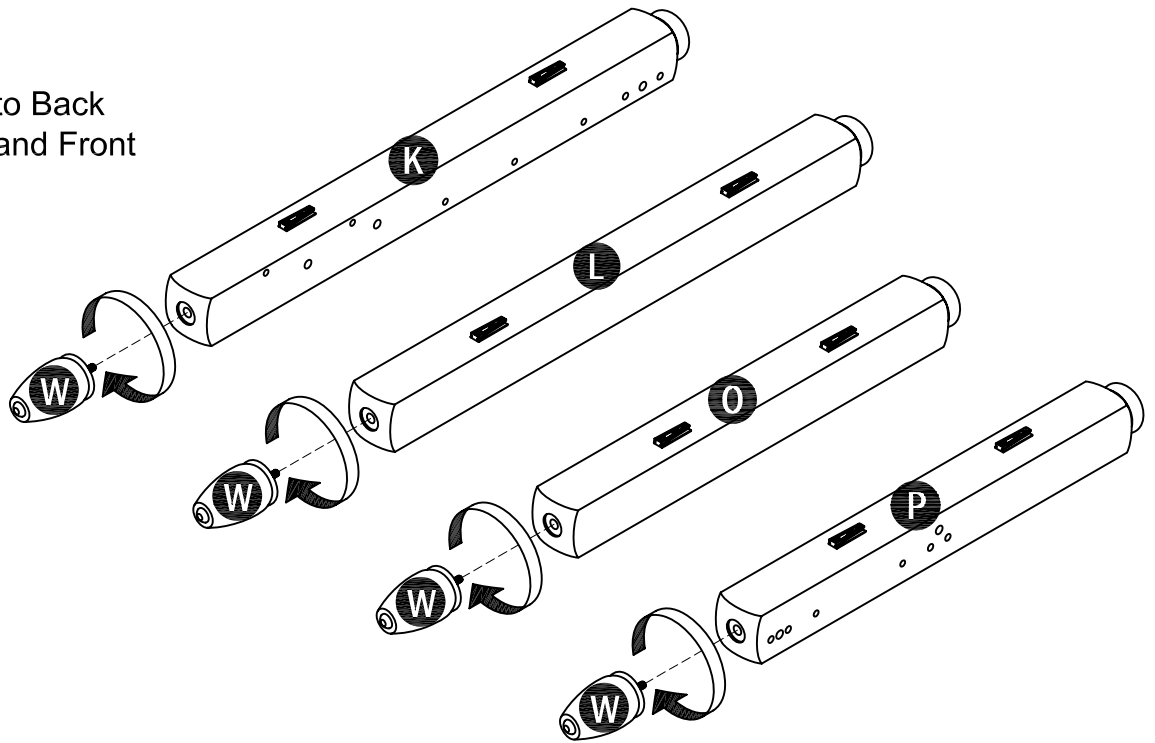
# Assembly Instructions 2/9

## IMPORTANT

- \* Please keep Key Wrench in a safe place as you may need to tighten up the Head Cap Bolts in the future.
- \* Do not tighten up all the screws until each part is properly assembled.
- \* Use a soft cloth between these parts and the floor.
- \* After assembly, item must be level to work properly. Use the included adjustable levels.

## STEP 1

Attach Foot (W) to Back Post (K) and (L) and Front Post (O) and (P).



## STEP 2

Insert Bolt into the pre-bored holes of Back Post (K) and (L) and Front Post (O) and (P).

# Assembly Instructions 3/9

## STEP 3

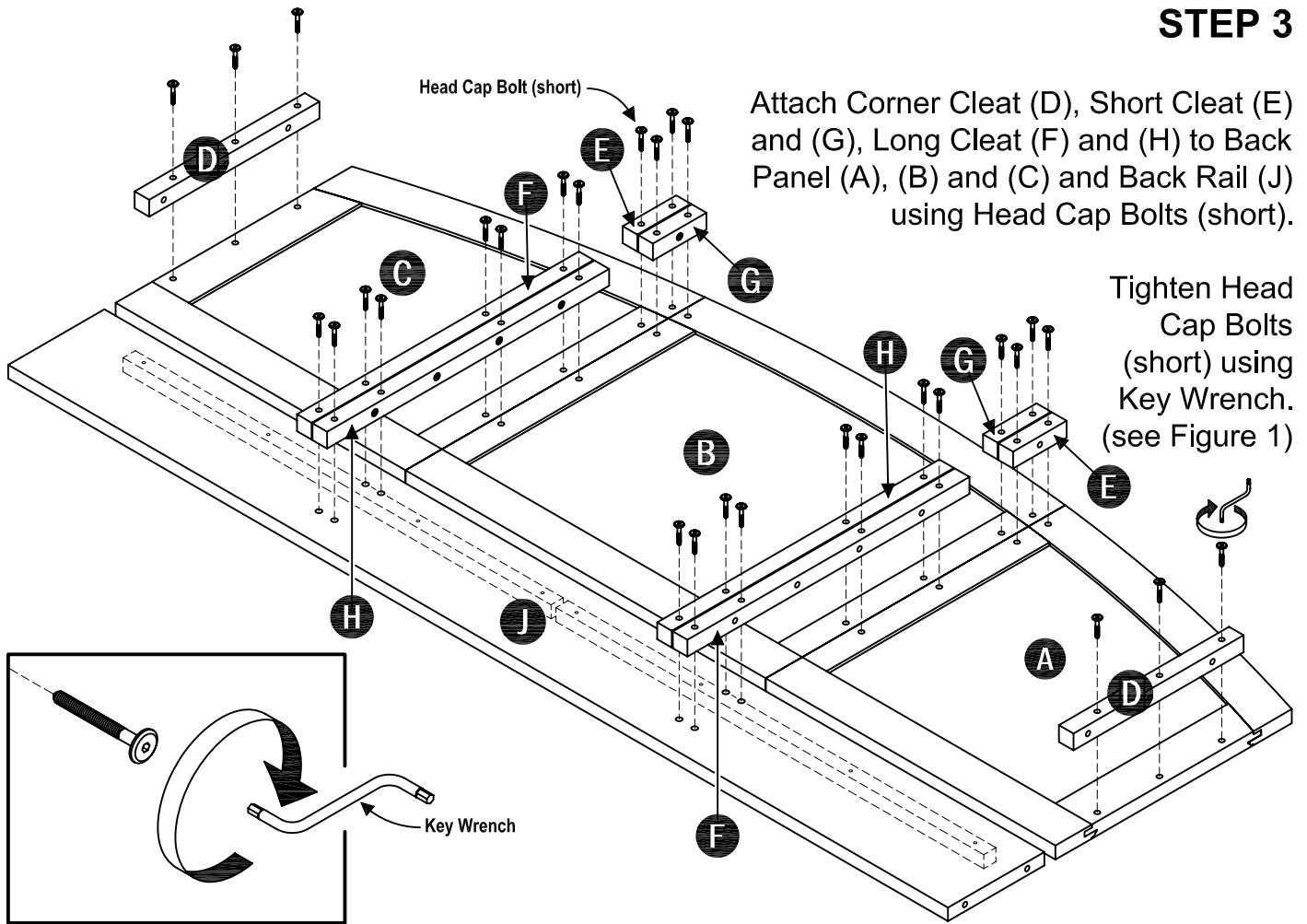
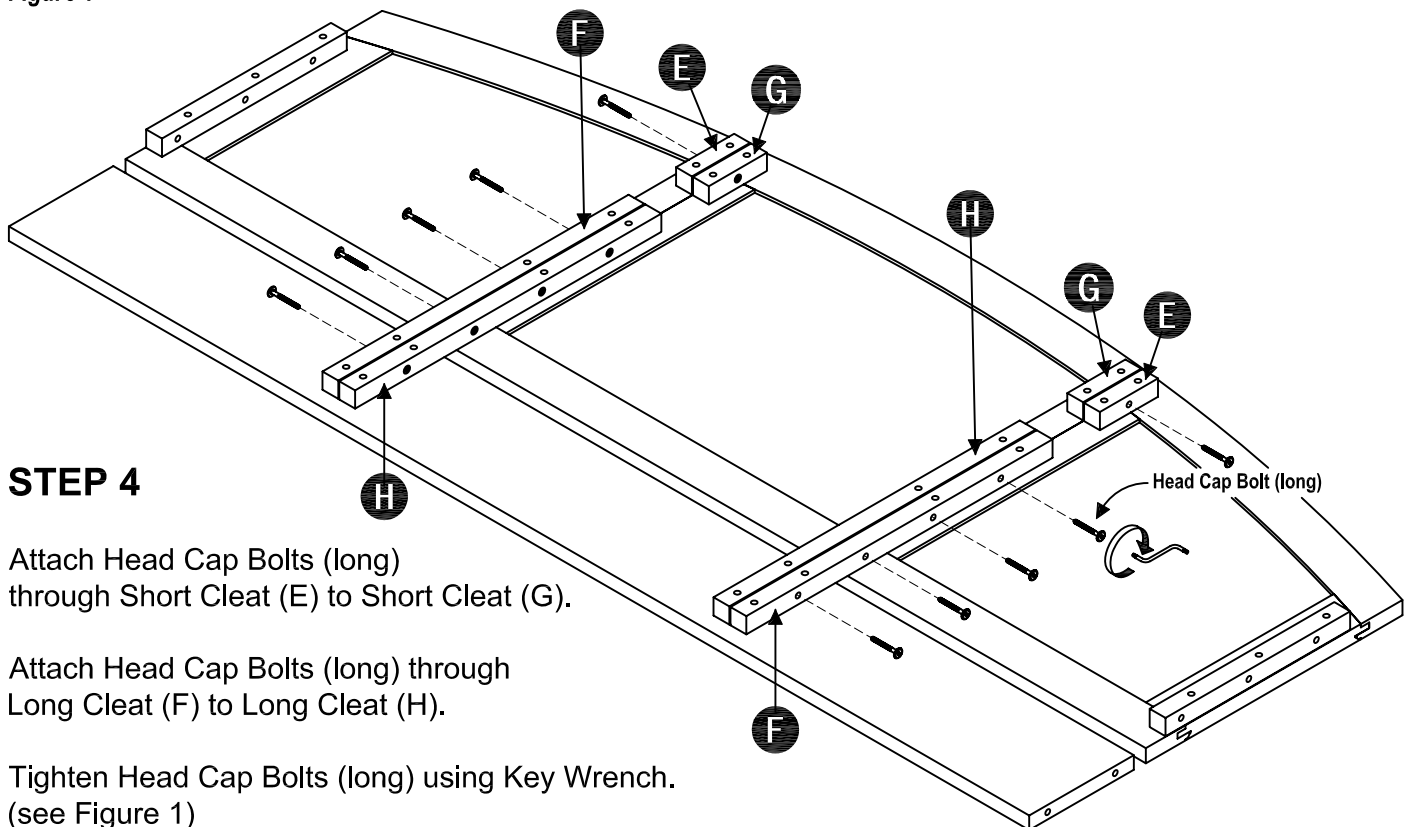


Figure 1



## STEP 4

Attach Head Cap Bolts (long) through Short Cleat (E) to Short Cleat (G).

Attach Head Cap Bolts (long) through Long Cleat (F) to Long Cleat (H).

Tighten Head Cap Bolts (long) using Key Wrench. (see Figure 1)

# Assembly Instructions 4/9

## STEP 5

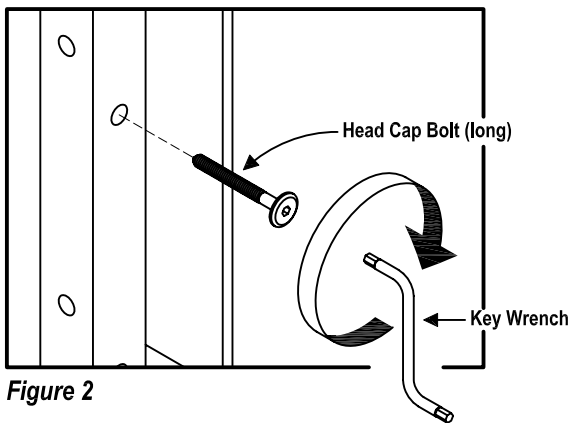
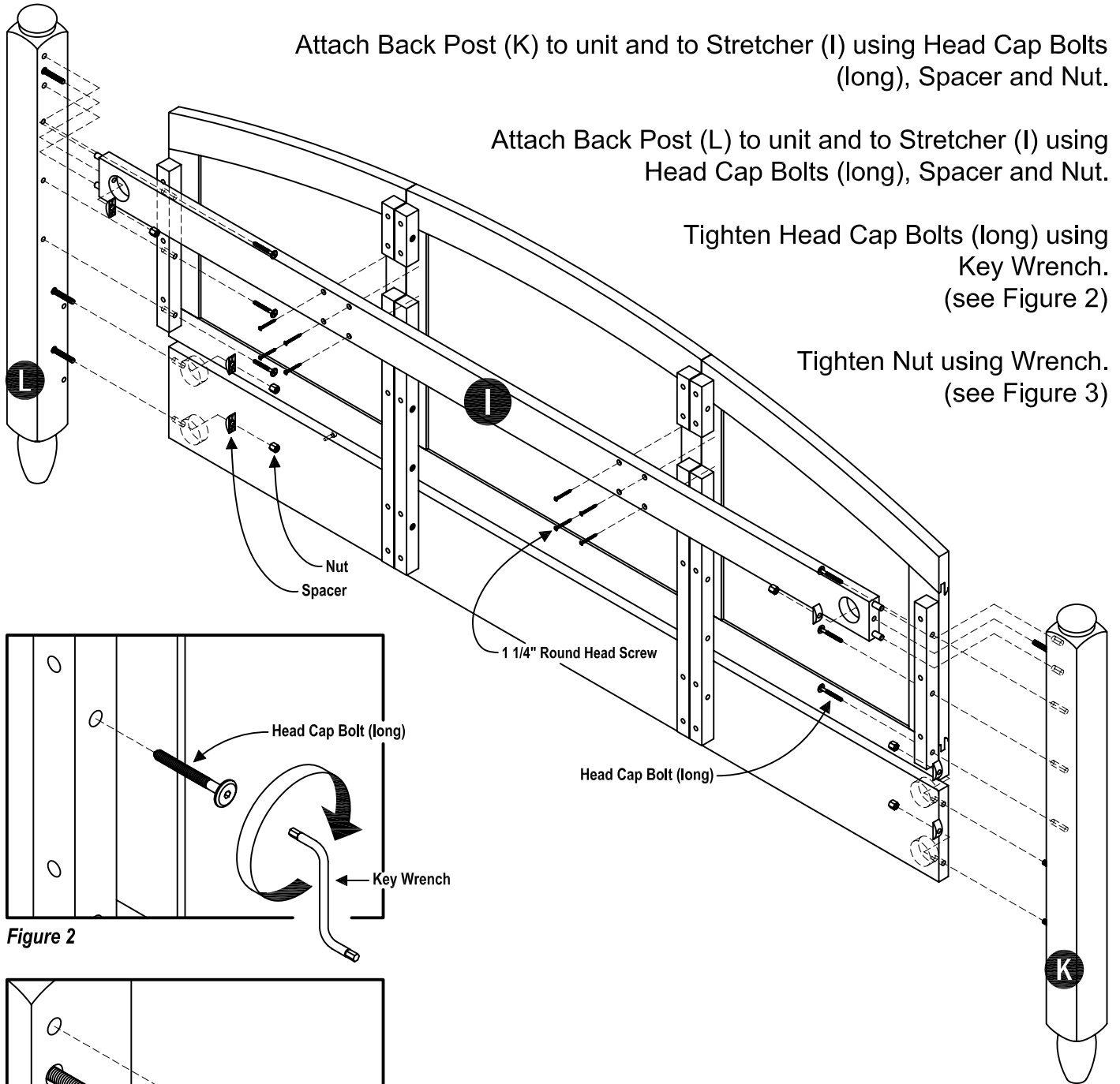


Figure 2

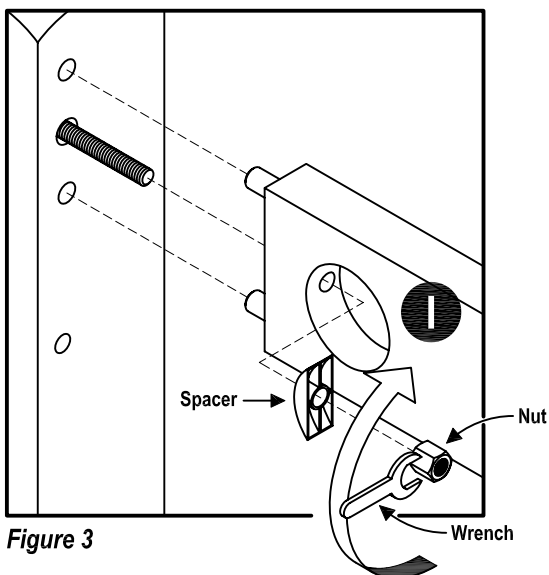


Figure 3

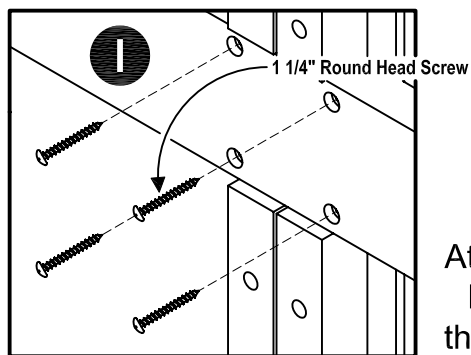


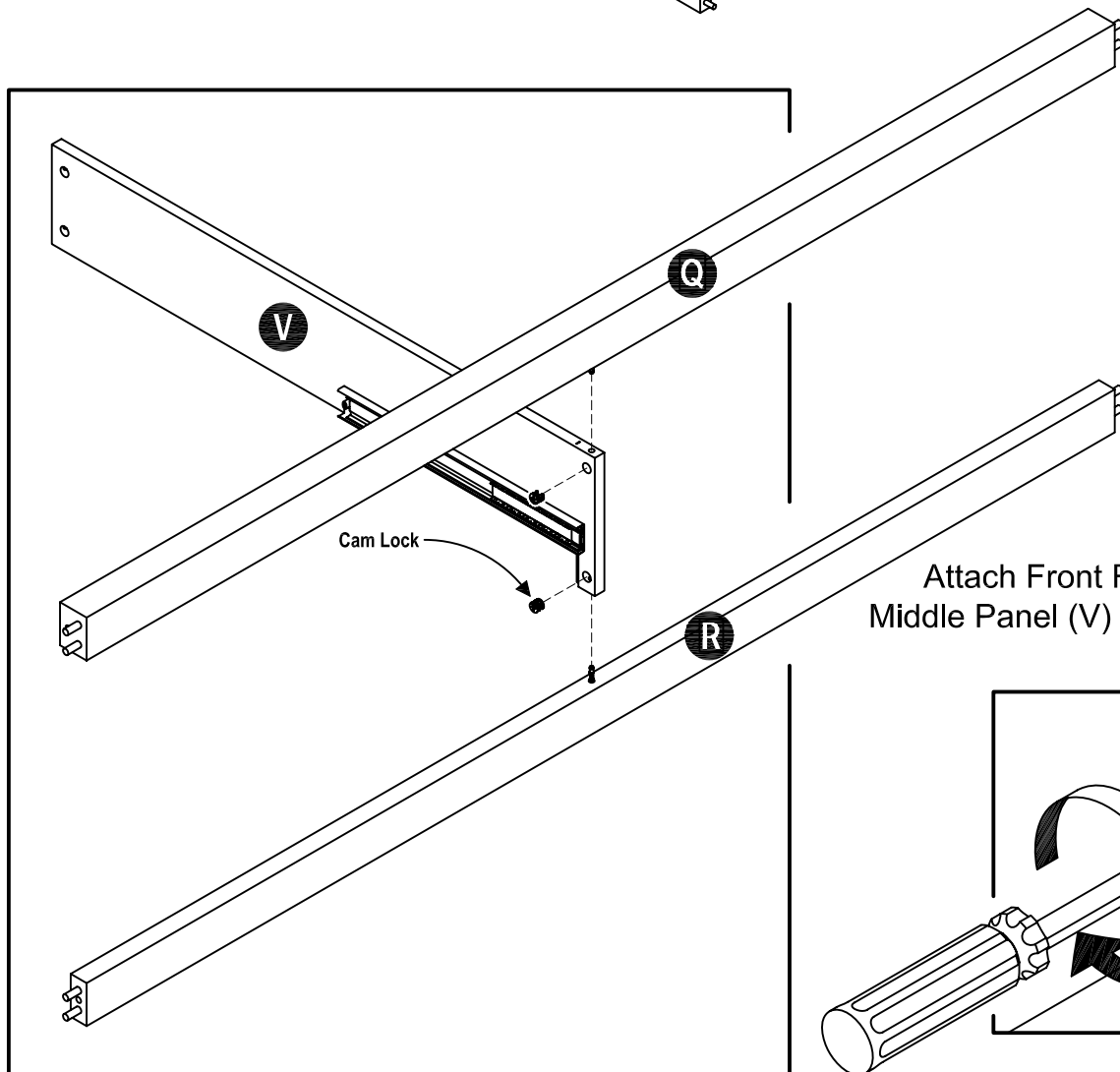
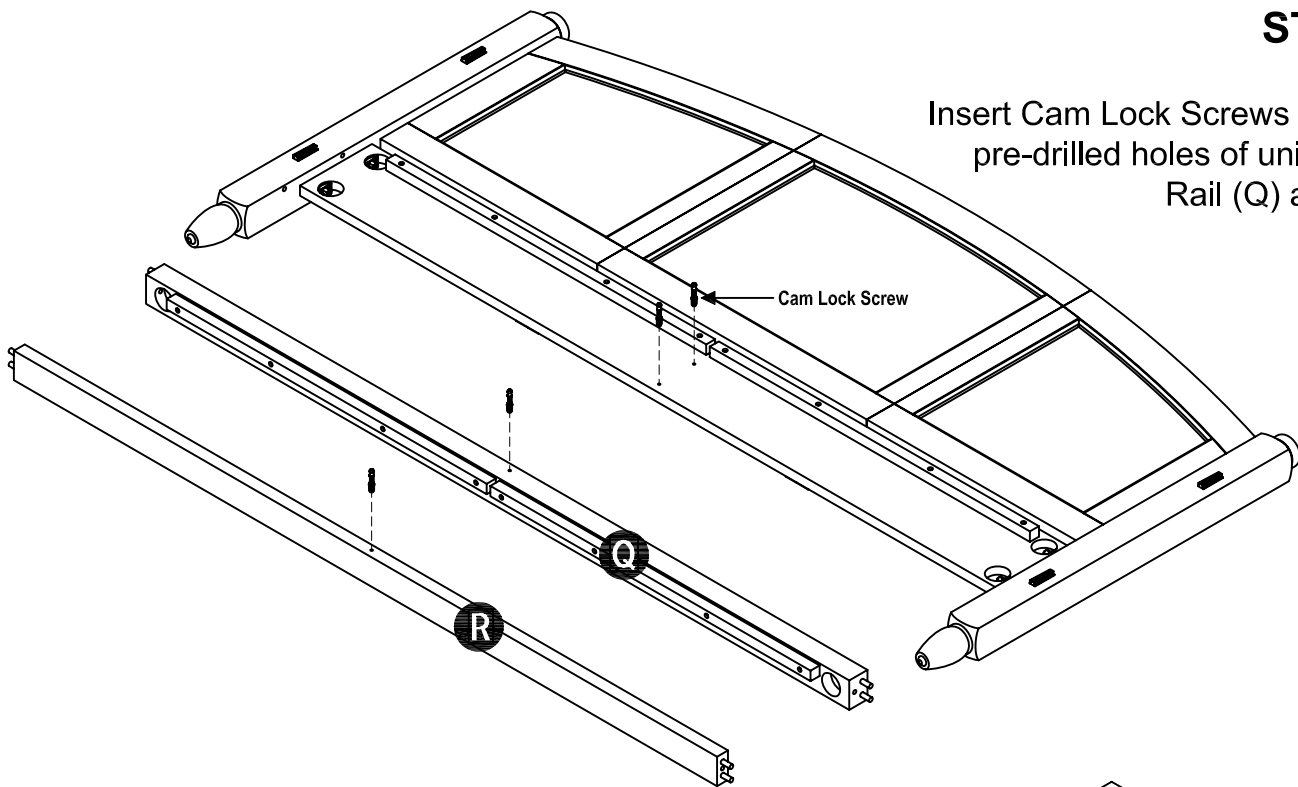
Figure 4

Attach 1 1/4" Round Head Screw to unit through Stretcher (I). (see Figure 4)

# Assembly Instructions 5/9

## STEP 6

Insert Cam Lock Screws into the pre-drilled holes of unit, Front Rail (Q) and (R).



## STEP 7

Attach Front Rail (Q) and (R) to Middle Panel (V) using Cam Locks. (see Figure 5)

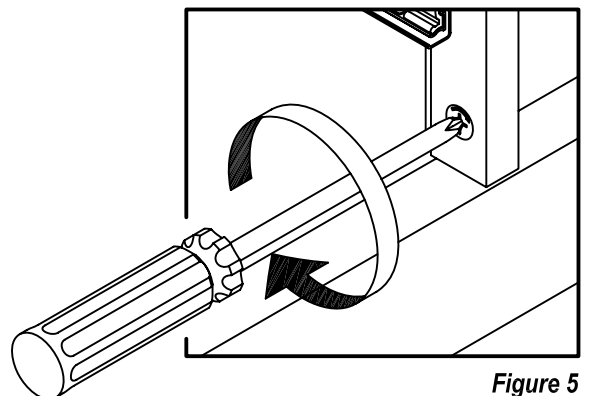


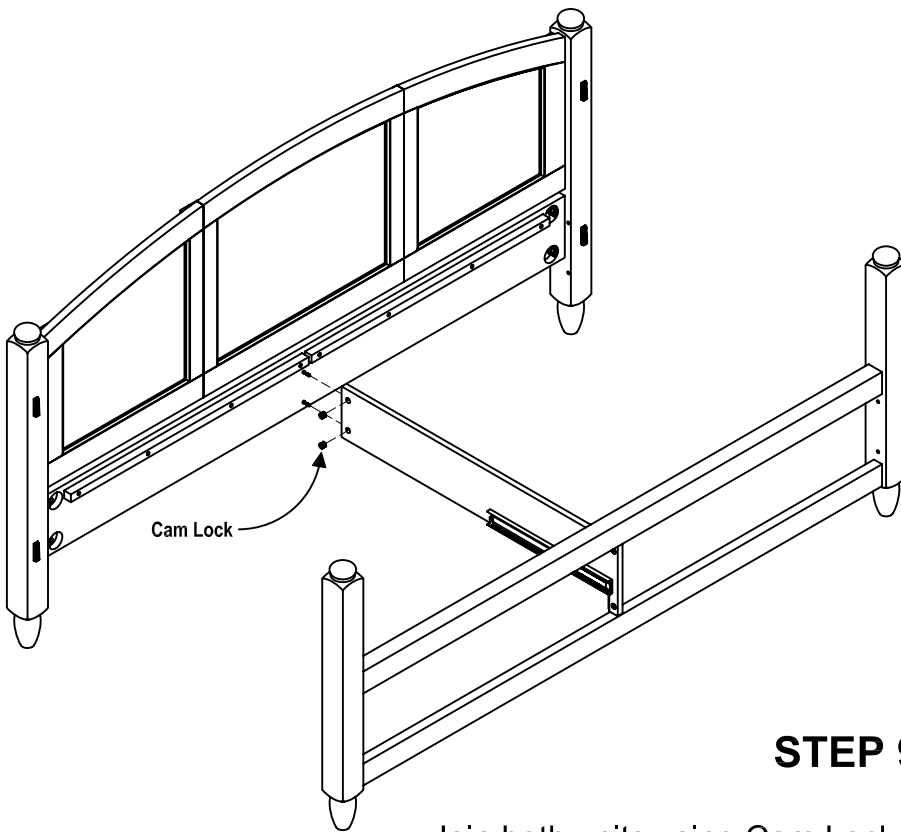
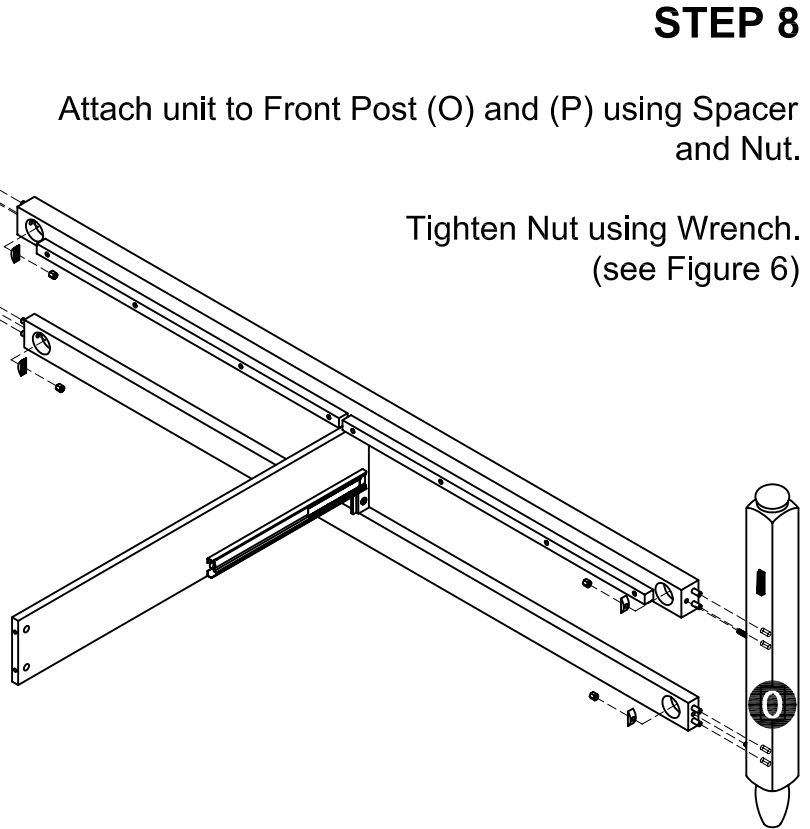
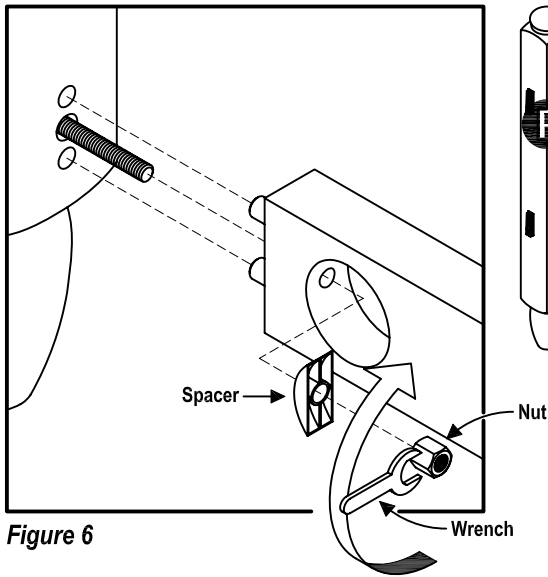
Figure 5

# Assembly Instructions 6/9

## STEP 8

Attach unit to Front Post (O) and (P) using Spacer and Nut.

Tighten Nut using Wrench.  
(see Figure 6)



## STEP 9

Join both units using Cam Locks.  
**Note: Do not tighten the Cam Locks at this time**  
(see Figure 7)

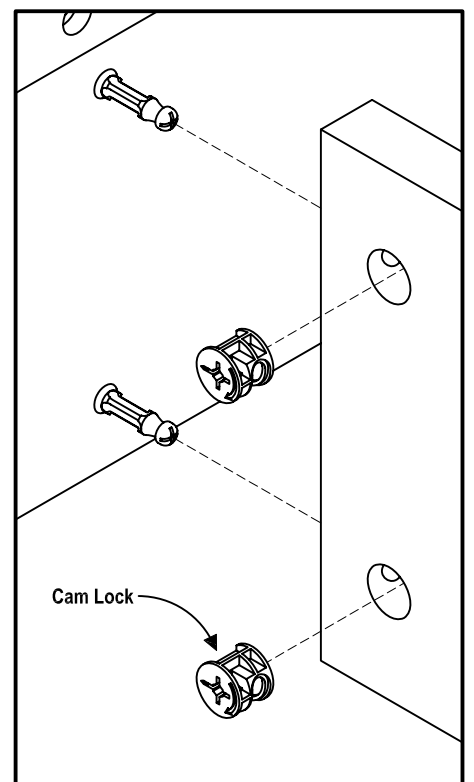


Figure 7

## STEP 10

Attach Side Panels (M) and (N) to unit by sliding metal sleeve on Side Panels (M) and (N) down to metal clip on unit. (see Figure 8)

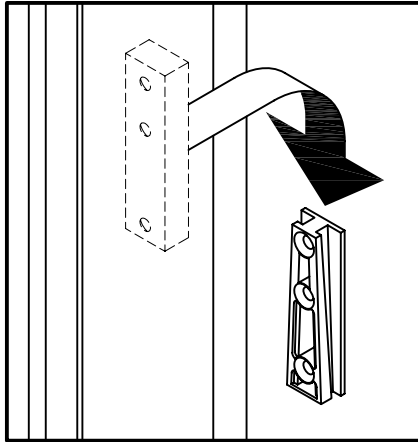
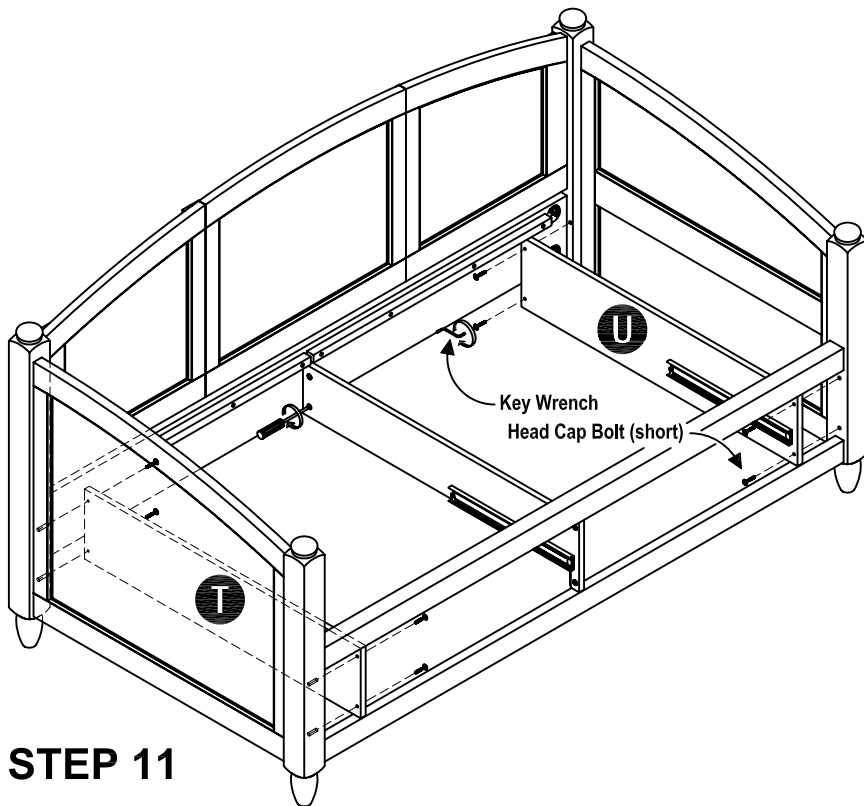
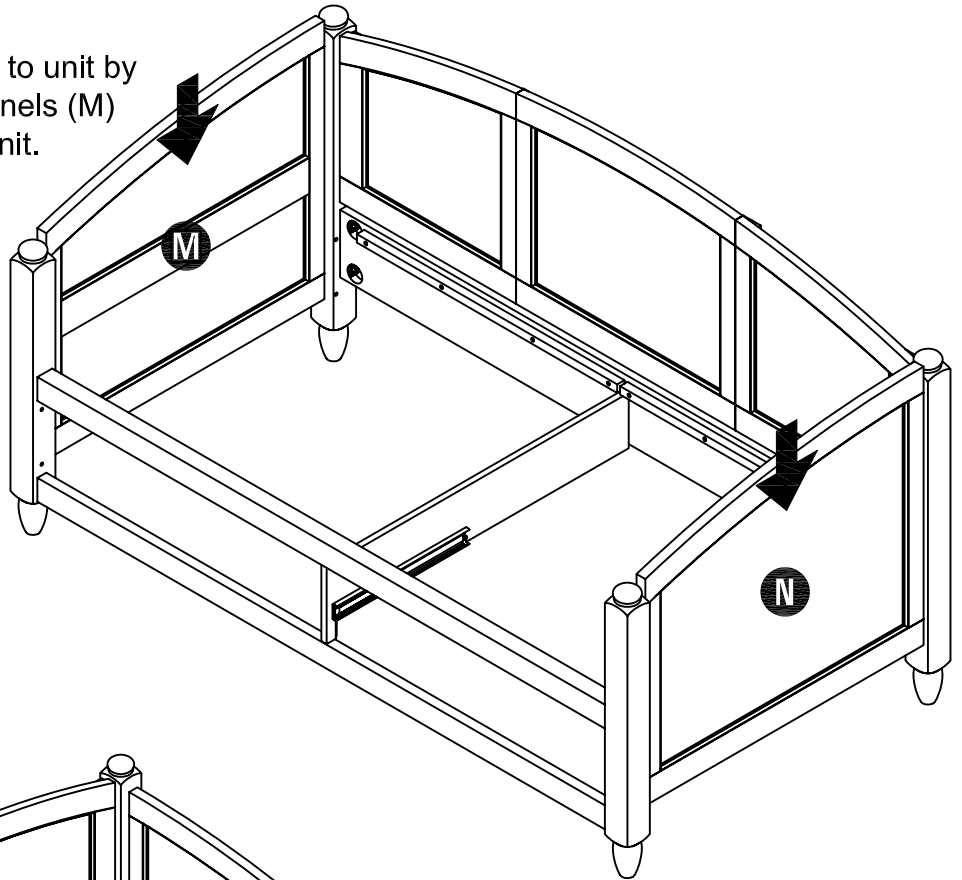


Figure 8



## STEP 11

Attach Side Panels (T) and (U) to unit using Head Cap Bolts (short).

Tighten Head Cap Bolts (short) using Key Wrench.

Tighten Cam Locks as shown. (see Figure 9)

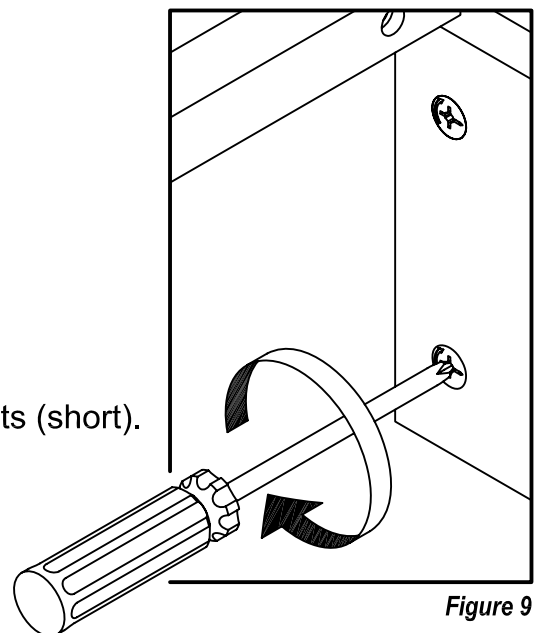
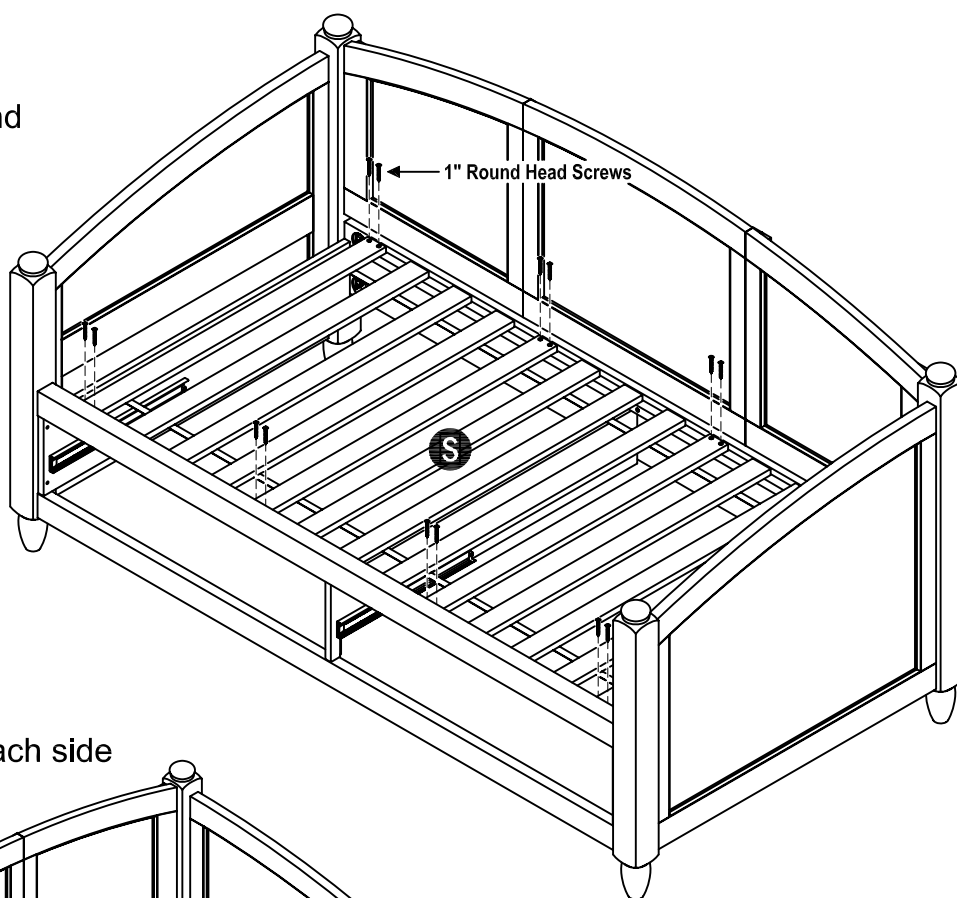


Figure 9

# Assembly Instructions 8/9

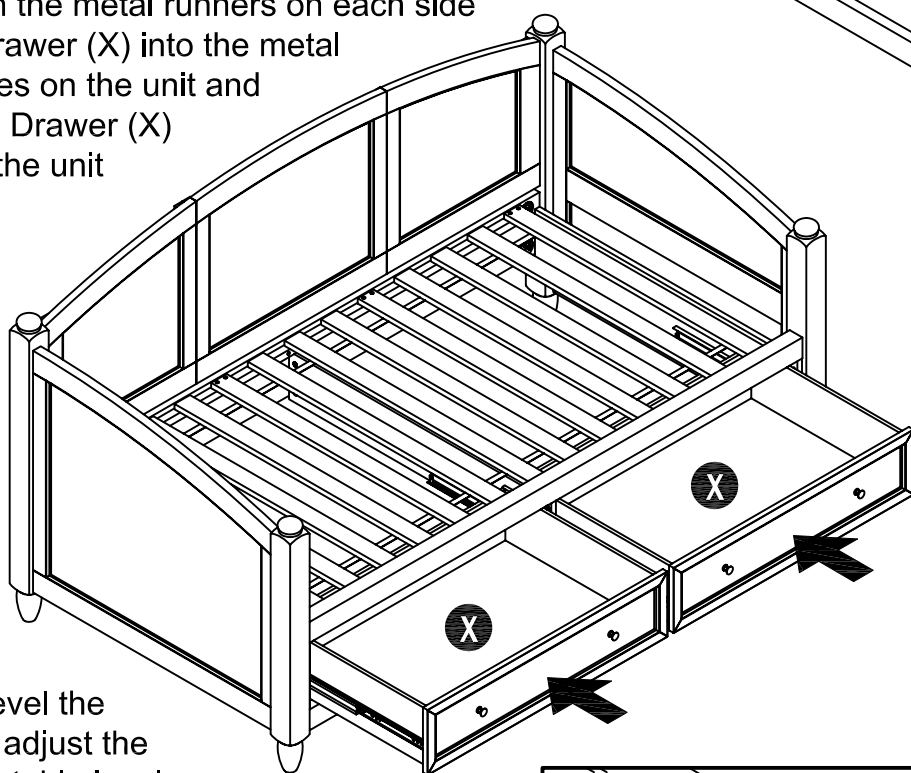
## STEP 12

Attach Slat (S) using 1" Round Head Screws into the pre-drilled holes of unit.



## STEP 13

Align the metal runners on each side of Drawer (X) into the metal guides on the unit and slide Drawer (X) into the unit



To level the unit, adjust the adjustable levelers on the bottom of legs. (see Figure 10)

If you need to remove the drawer in the future, push the plastic lever up on its' left side, push down on its' right side and pull the drawer out slowly. (see Figure 11)

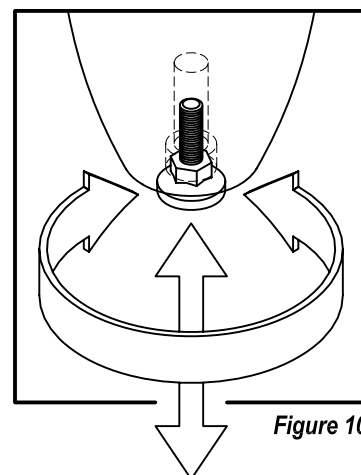


Figure 10

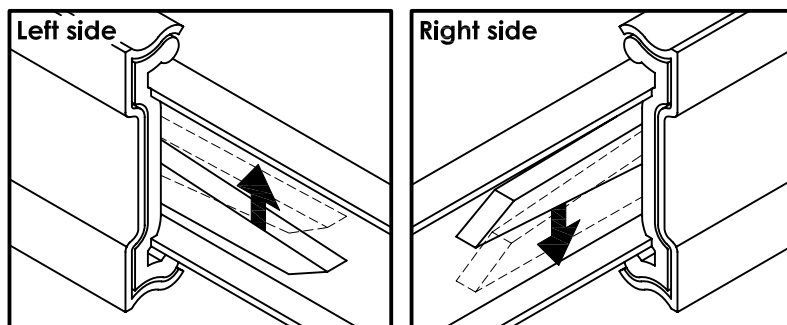
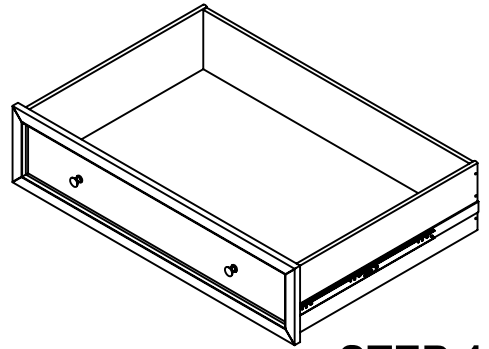


Figure 11

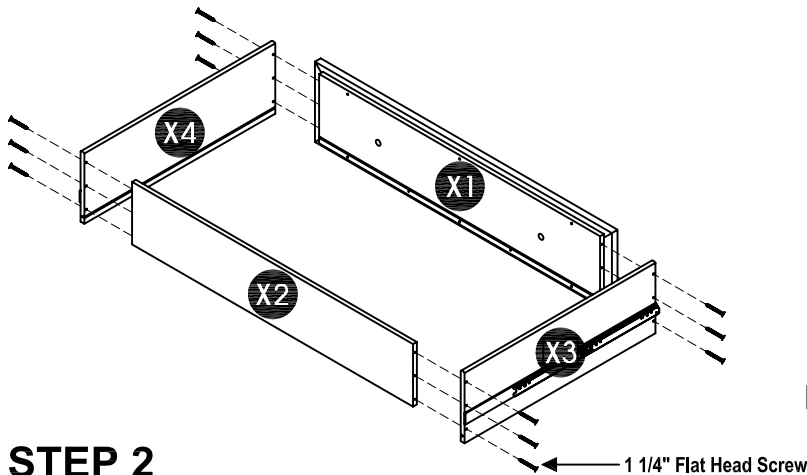


## Drawer (X)



### STEP 1

Attach Side Part (X3) and (X4) to Front Part (X1) and Back Part (X2) using a Phillips screwdriver and 1 1/4" Flat Head Screws.

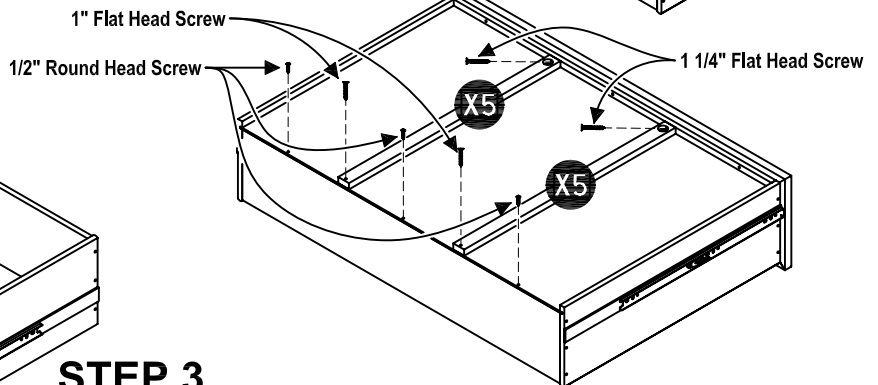
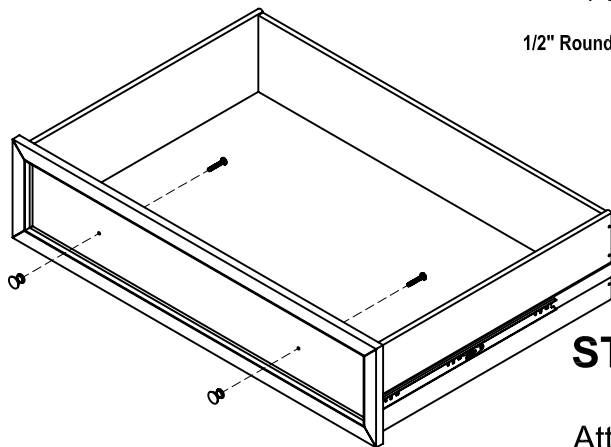
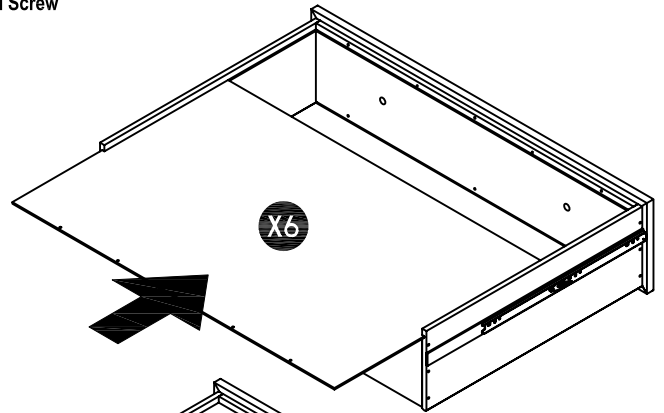


### STEP 2

Insert Base Part (X6) into the groove.

Attach Base Part (X5) to unit 1 1/4" Flat Head Screws and 1" Flat Head Screw.

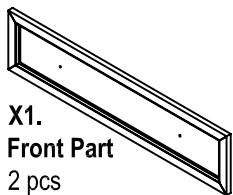
Attach 1/2" Round Head Screw to the rest holes of Base Part (X6).



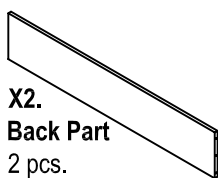
### STEP 3

Attach Pull Handles with Machine Screws.

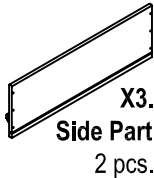
## Part List



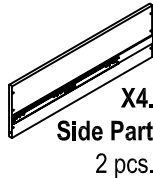
**X1.**  
Front Part  
2 pcs



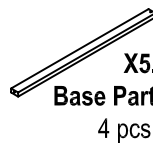
**X2.**  
Back Part  
2 pcs.



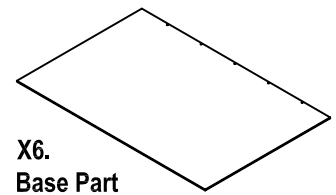
**X3.**  
Side Part  
2 pcs.



**X4.**  
Side Part  
2 pcs.



**X5.**  
Base Part  
4 pcs.



**X6.**  
Base Part  
2 pcs. (in carton 88 5530 851)

# VERY IMPORTANT !!

## CARE INSTRUCTIONS

### NEVER

USE GLASS CLEANERS ON FINISHED FURNITURE. AMMONIA WILL CHEMICALLY ATTACK THE LACQUER.

### NEVER

ALLOW LIQUIDS OF ANY KIND TO REMAIN ON THE FURNITURE. ABSORPTION CAUSES WOOD TO WARP AND SPLIT AND FINISHES TO DELAMINATE.

DO NOT WRITE DIRECTLY ON SURFACE.



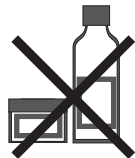
**PREVENT MARKING**

DO NOT PLACE IN DIRECT SUNLIGHT.



**PREVENT FADING**

DO NOT USE COMMERCIAL WAXES AND POLISHES.



**PREVENT YELLOWING**

DO NOT PLACE HOT OBJECTS ON SURFACE.



**PREVENT FINISH DAMAGE**

DO NOT USE RUBBER BASED PLACE MATS.



**PREVENT DISCOLORING**

## TO CLEAN

USE A SOFT CLOTH MOISTENED IN LEMON OIL POLISH OR LUKEWARM SOAP AND WATER, THEN BUFF WITH A DRY CLEAN CLOTH.

