

88 5531 10N Bedford Entertainment Credenza

IMPORTANT NOTE

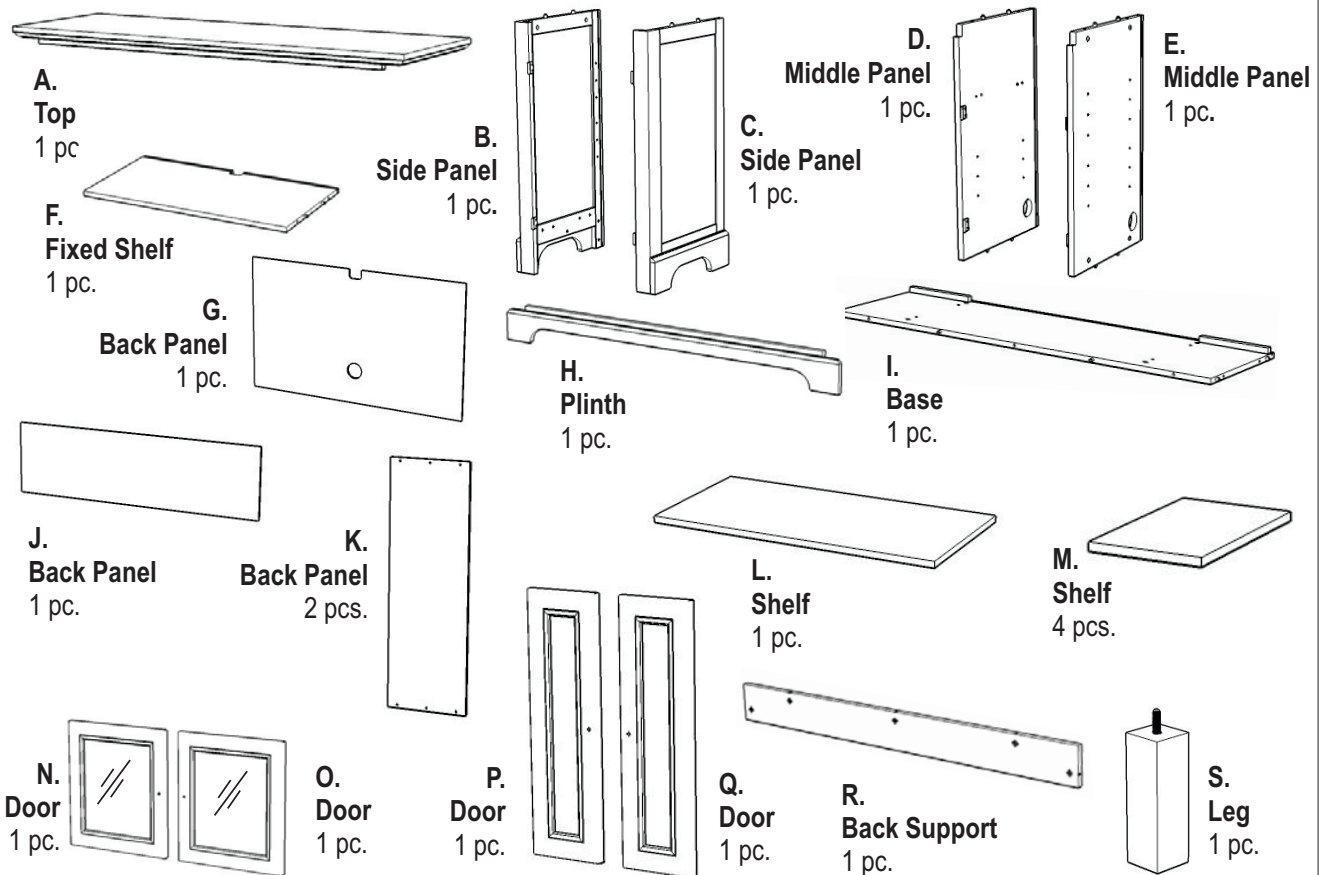
Carefully remove all the parts from the carton and put them individually on a soft cloth to prevent scratches or other damages occurring to the wood parts.

We have taken great care in the design of this product and request that you carefully and strictly follow our assembly instructions to ensure a completed product as it was designed.

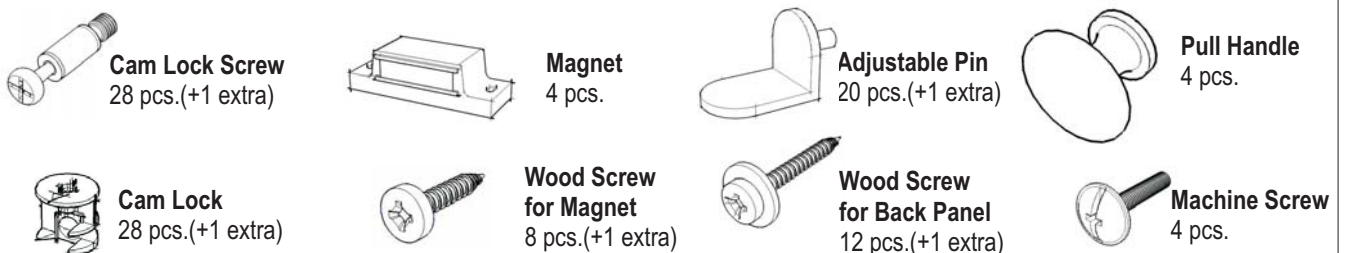


Casual Attire For Today's Home

Part List



Hardware List



Tools required for assembly: Phillips screwdriver

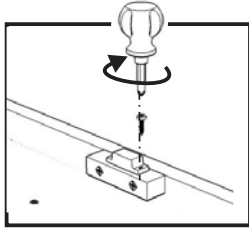
Home Styles Consumer Assistance Line 888-680-7460 and 877-831-0319
servicedesk@homestyles-furniture.com

Assembly Instructions 2/4

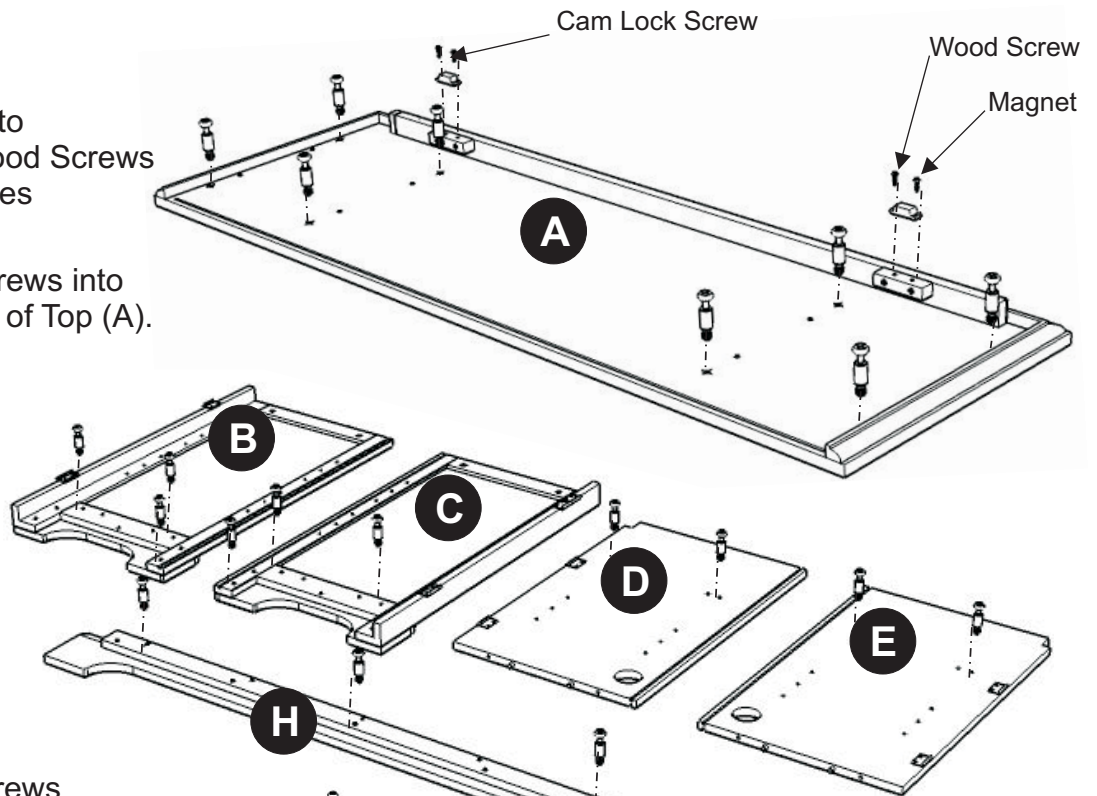
STEP 1

Attach 2X Magnets to Top (A) by using Wood Screws in the pre-drilled holes (See figure 1).

Insert Cam Lock Screws into the pre-drilled holes of Top (A).

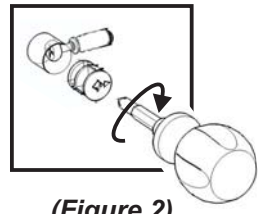
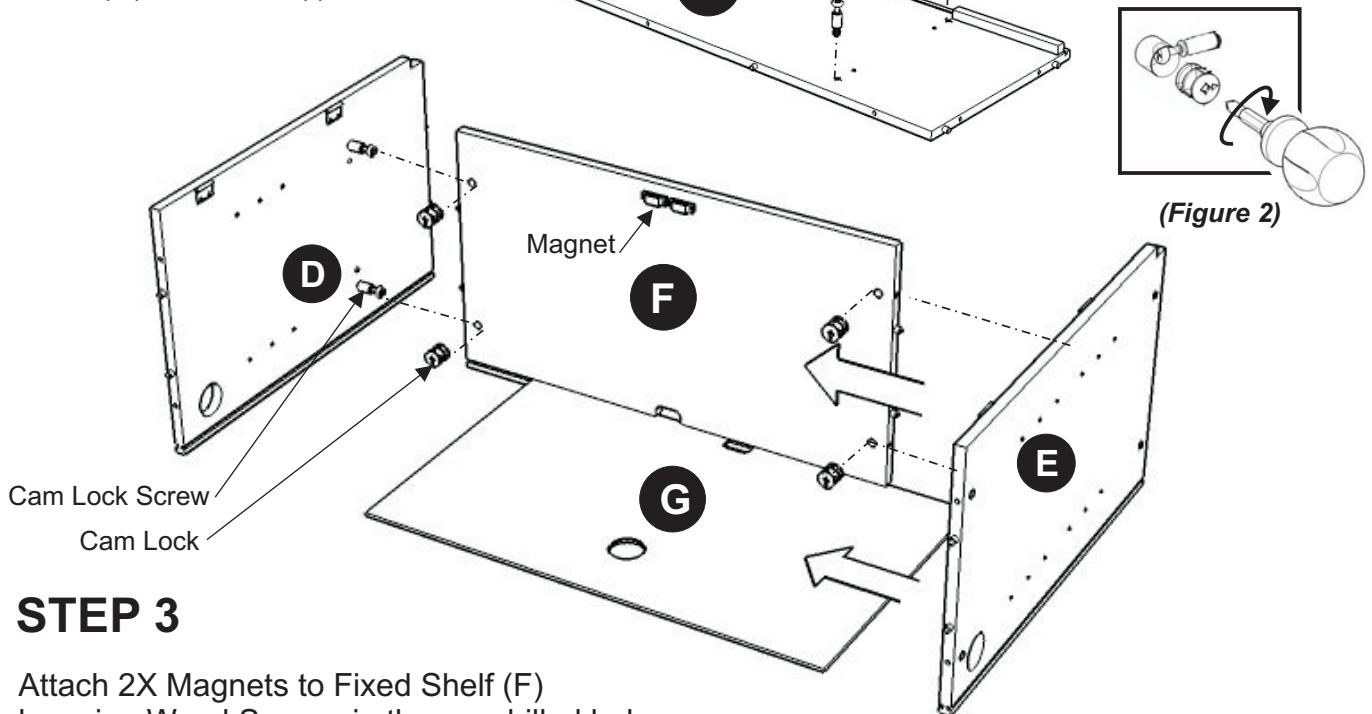


(Figure 1)



STEP 2

Insert Cam Lock Screws into the pre-drilled holes of Side Panel (B) and (C), Middle Panel (D) and (E), Plinth (H) and Base (I).



(Figure 2)

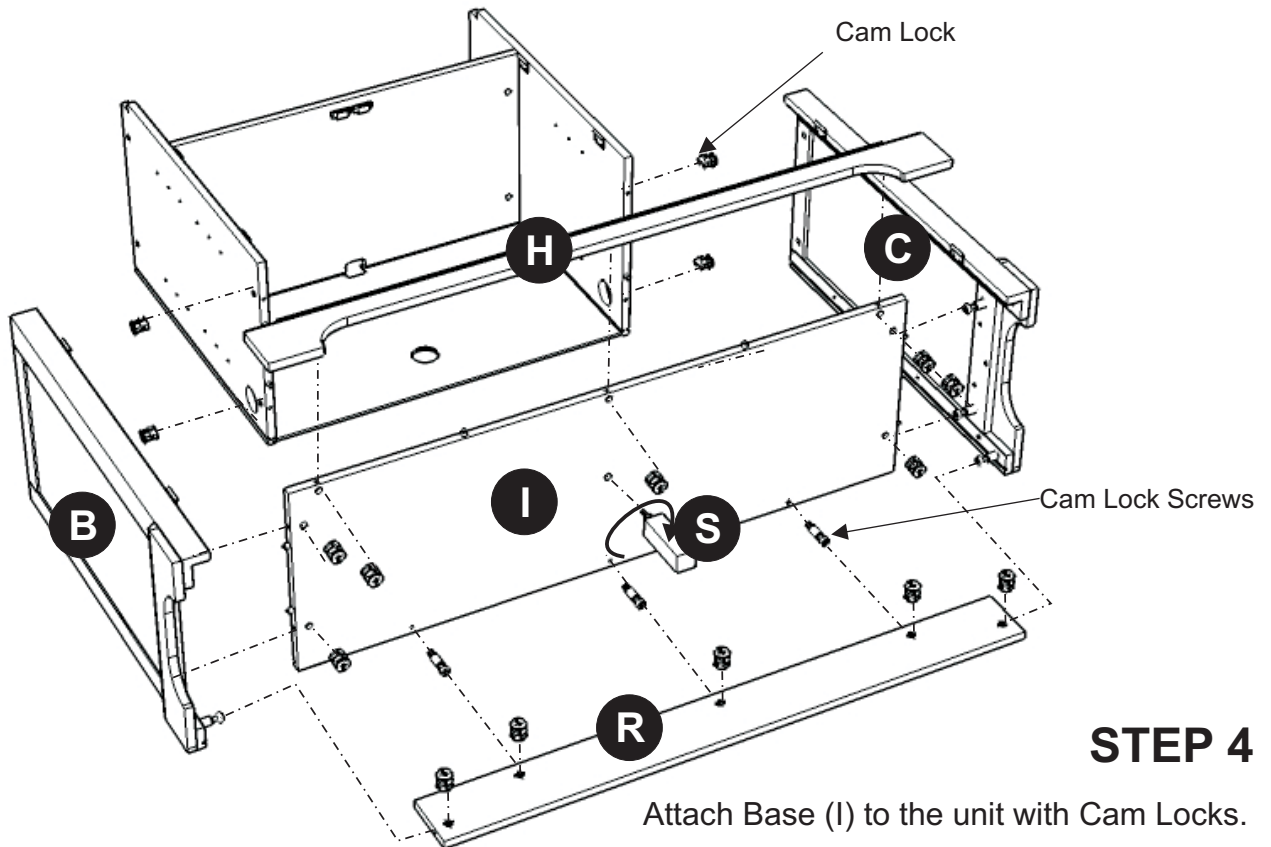
STEP 3

Attach 2X Magnets to Fixed Shelf (F) by using Wood Screws in the pre-drilled holes.

Attach Fixed Shelf (F) to Middle Panel (D) with Cam Locks (See figure 2), then slide Back Panel (G) into position.

Attach Middle Panel (E) to the unit with Cam Locks.

Assembly Instructions 3/4

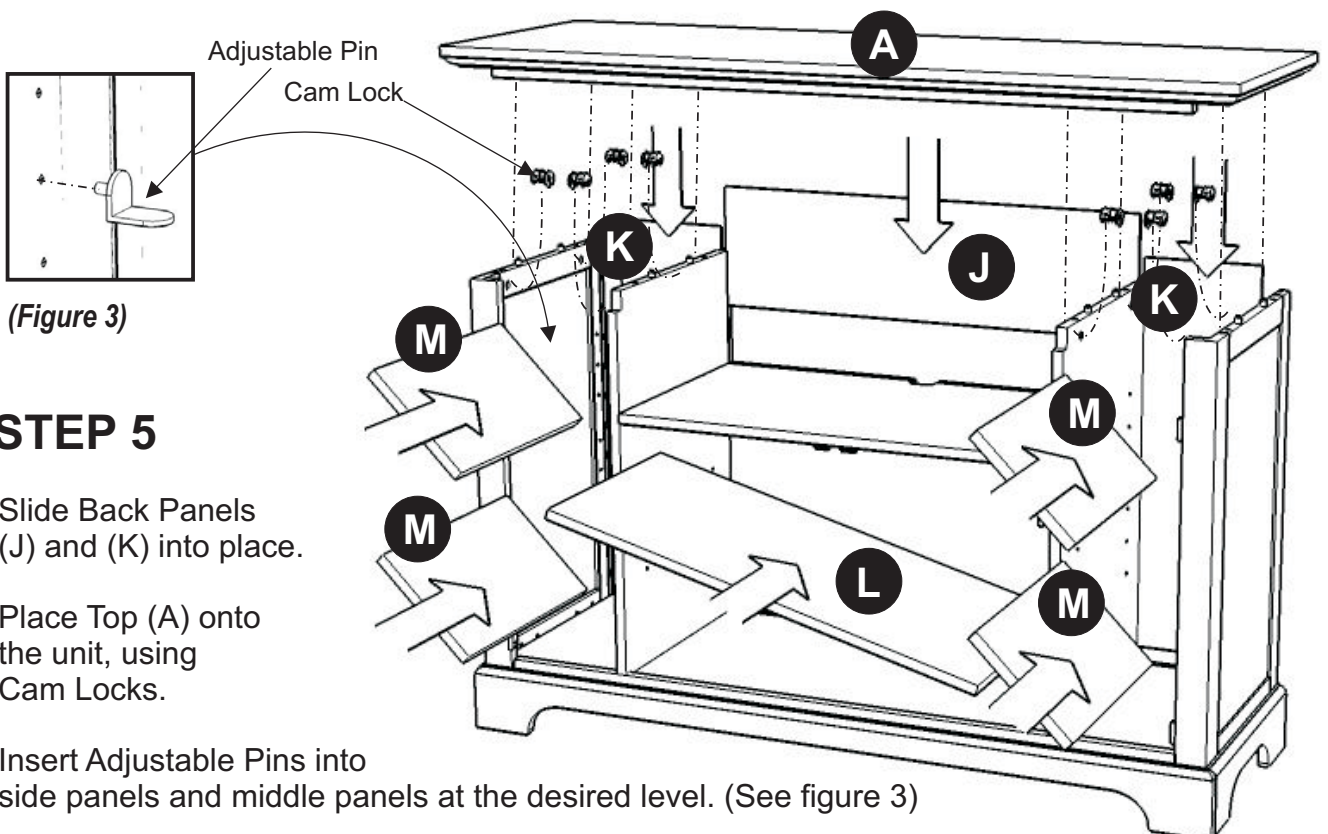


STEP 4

Attach Base (I) to the unit with Cam Locks.

Put 3X Cam Lock Screws into the pre-drilled holes of Base (I) as shown, then attach Back Support (R) to Base (I) with Cam Locks and attach Side Panel (B) and (C), Plinth (H) to the unit with Cam Locks.

Tighten up Leg (S) in the pre-drilled hole of unit as shown.



(Figure 3)

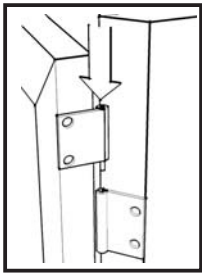
STEP 5

Slide Back Panels (J) and (K) into place.

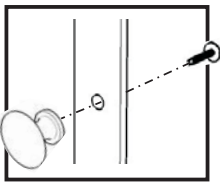
Place Top (A) onto the unit, using Cam Locks.

Insert Adjustable Pins into side panels and middle panels at the desired level. (See figure 3)

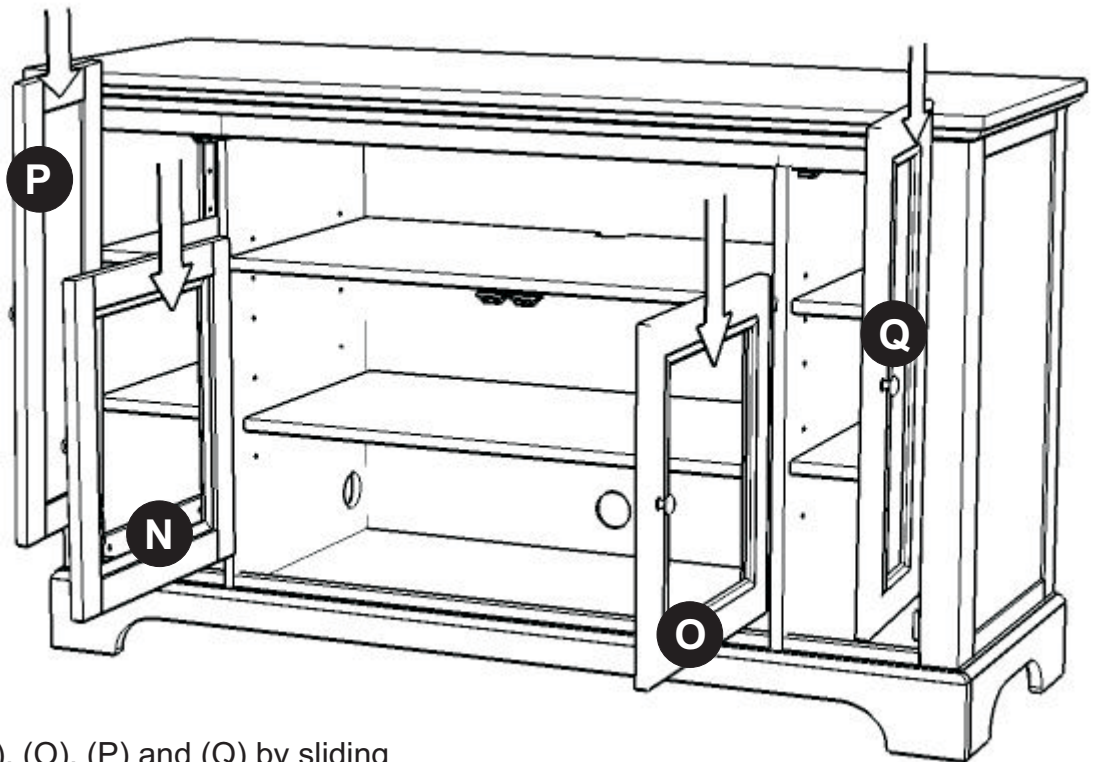
Place Shelves (L) and (M) into position.



(Figure 4)



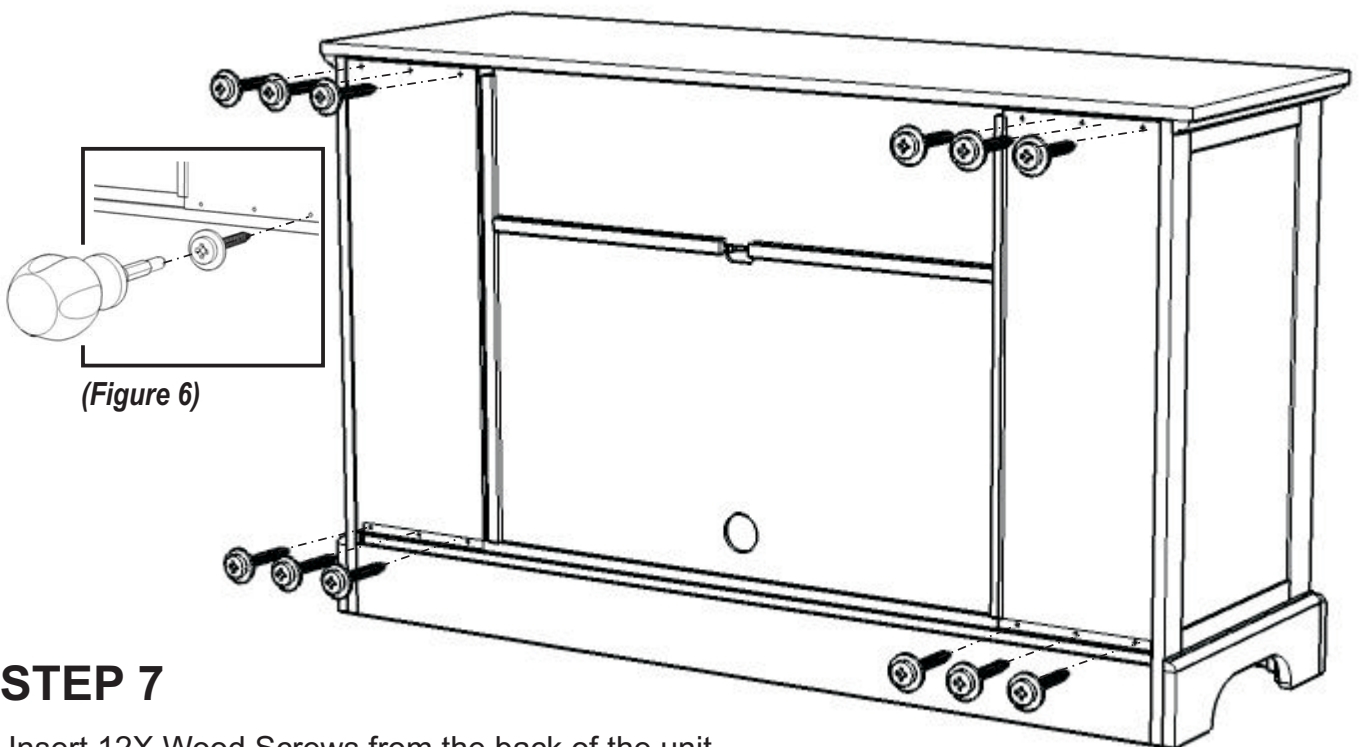
(Figure 5)



STEP 6

Attach Doors (N), (O), (P) and (Q) by sliding the door lift hinges into the side panels lift hinges. (See figure 4)

Assemble Pull Handles to Doors with Machine Screws. (See figure 5)



(Figure 6)

STEP 7

Insert 12X Wood Screws from the back of the unit, tighten up all the Wood Screws. (See figure 6)

Note: Please make sure unit is level before tightening these screws.