

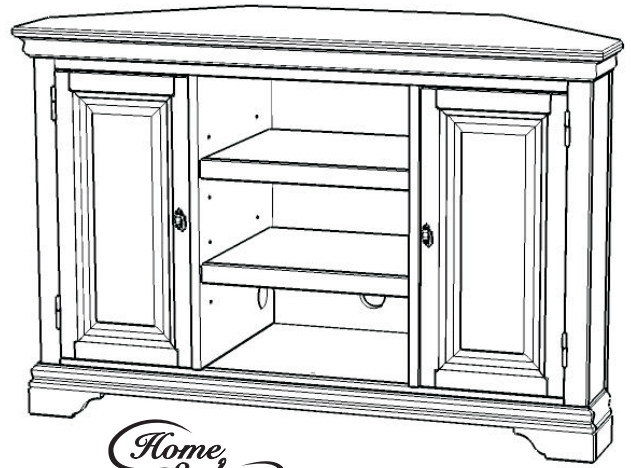
# 88 5537 07

## The Lafayette Corner Entertainment

### IMPORTANT NOTE

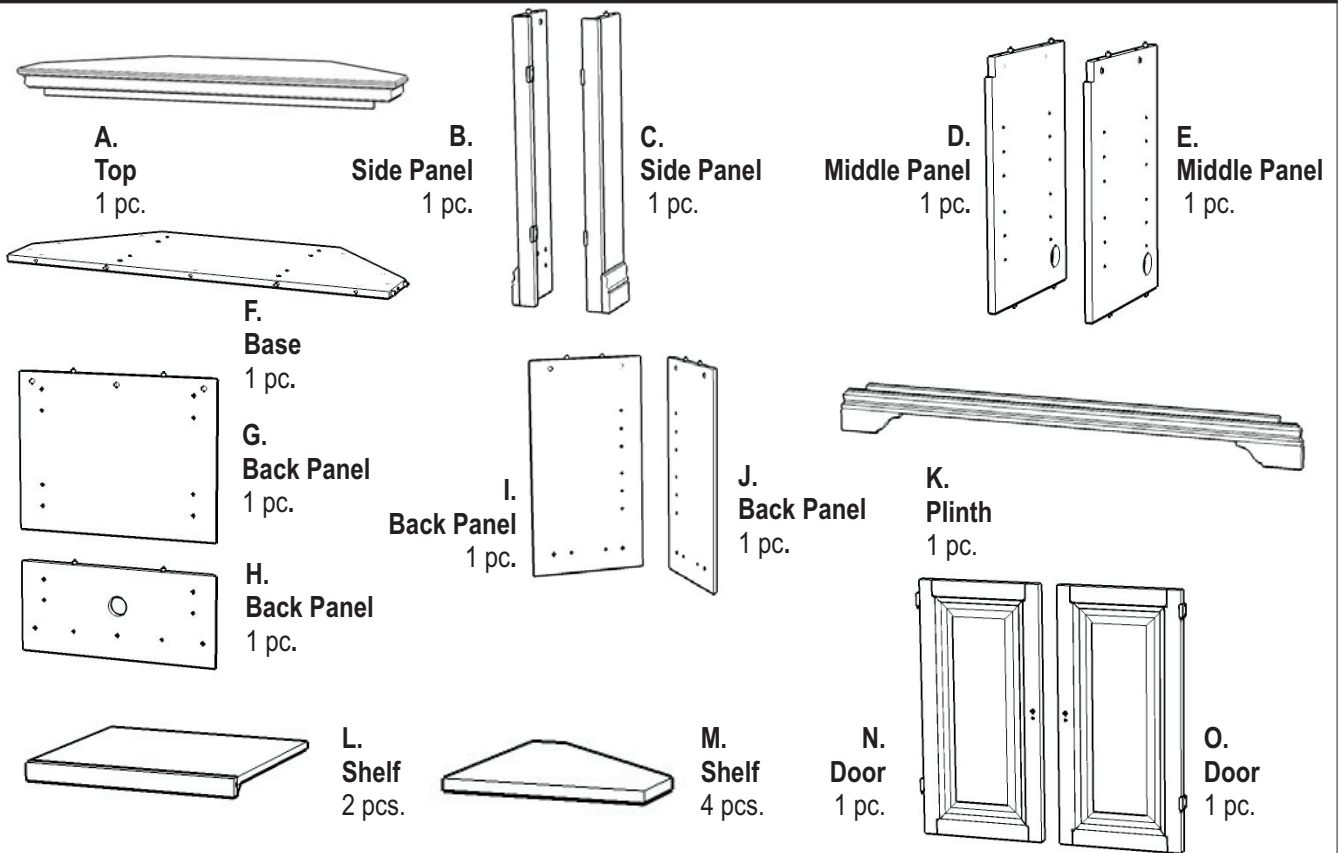
Carefully remove all the parts from the carton and put them individually on a soft cloth to prevent scratches or other damages occurring to the wood parts.

We have taken great care in the design of this product and request that you carefully and strictly follow our assembly instructions to ensure a completed product as it was designed.

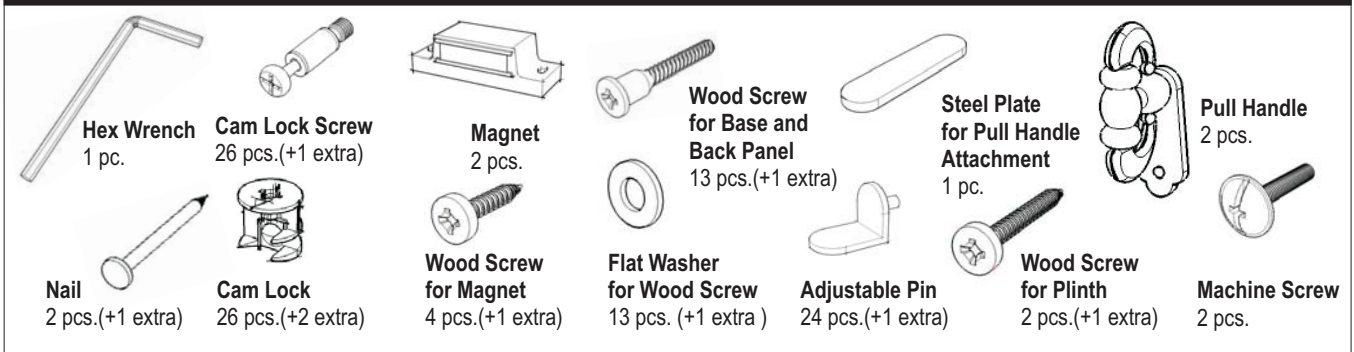


Casual Attire For Today's Home

## Part List



## Hardware List



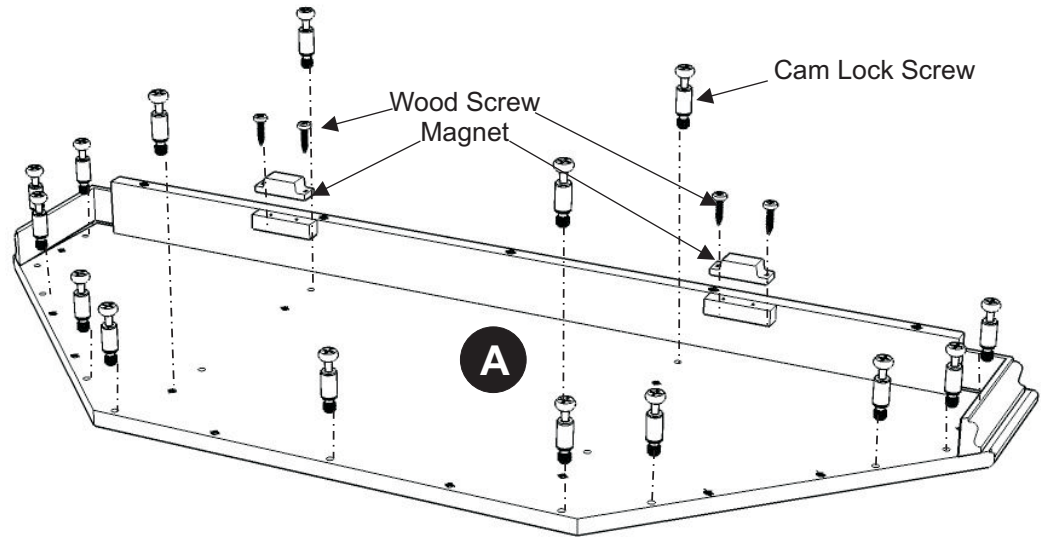
Tools required for assembly : **Phillips** screwdriver

**Home Styles Consumer Assistance Line 888-680-7460 and 877-831-0319**  
[servicedesk@homestyles-furniture.com](mailto:servicedesk@homestyles-furniture.com)

# Assembly Instructions 2/4

## IMPORTANT

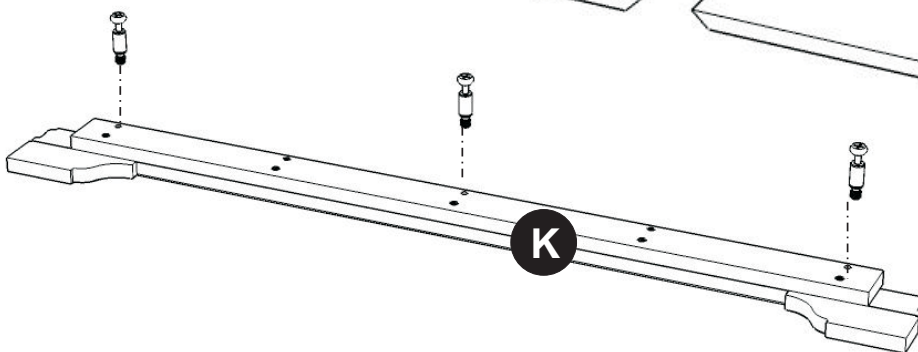
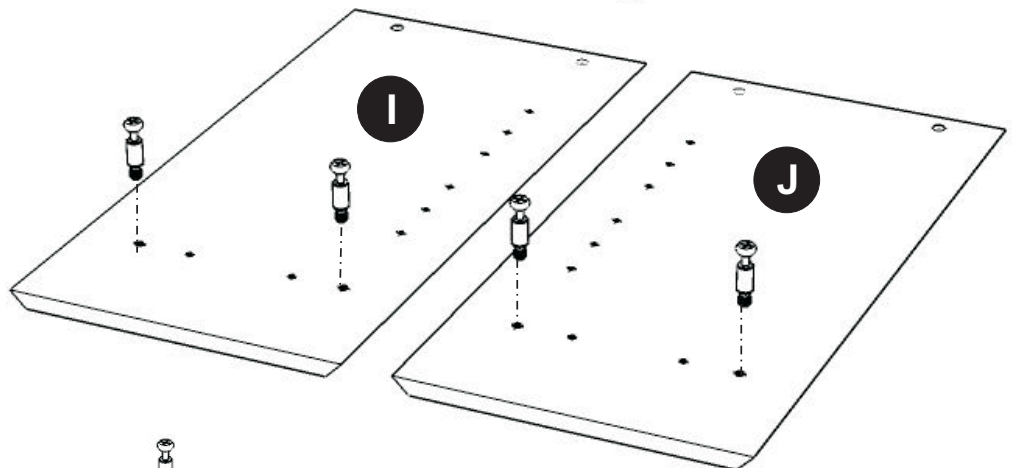
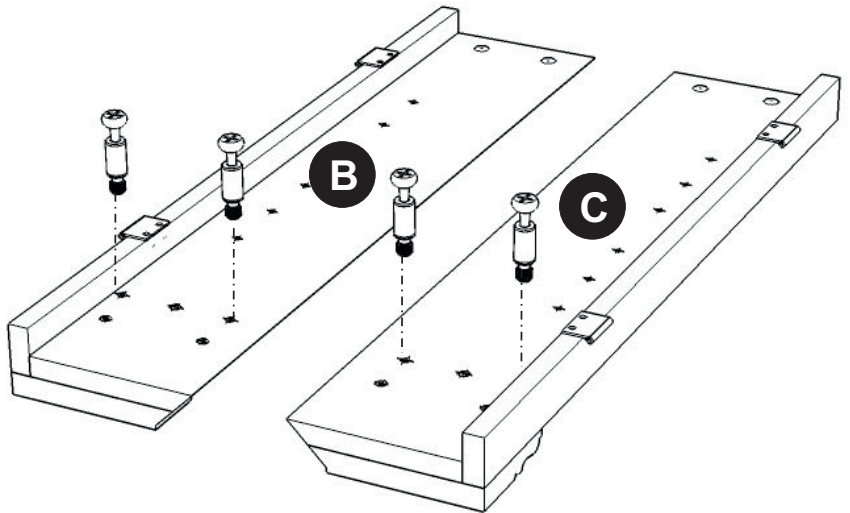
Do not tighten screws until each part is properly assembled.



## STEP 1

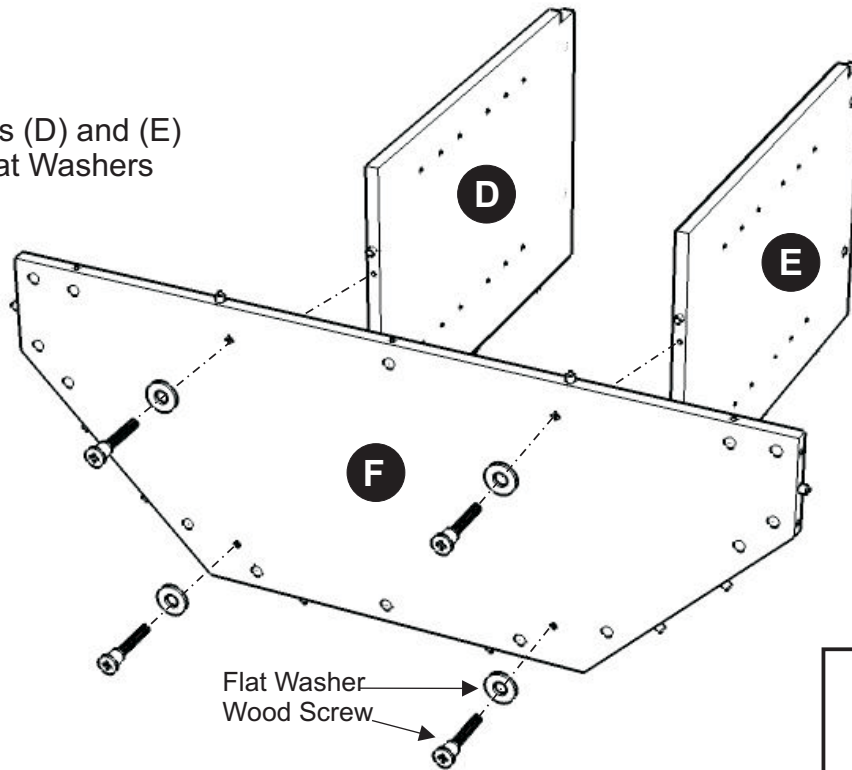
Attach 2X Magnets to pre-drilled holes of Top (A) with Wood Screws.

Insert Cam Lock Screws into the pre-drilled holes of Top (A), Side Panel (B) and (C), Back Panel (I) and (J), Plinth (K), then tighten.



## STEP 2

Attach Middle Panels (D) and (E) to Base (F) using Flat Washers and Wood Screws.



Flat Washer  
Wood Screw

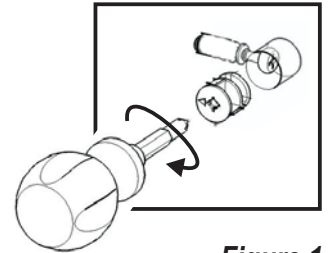
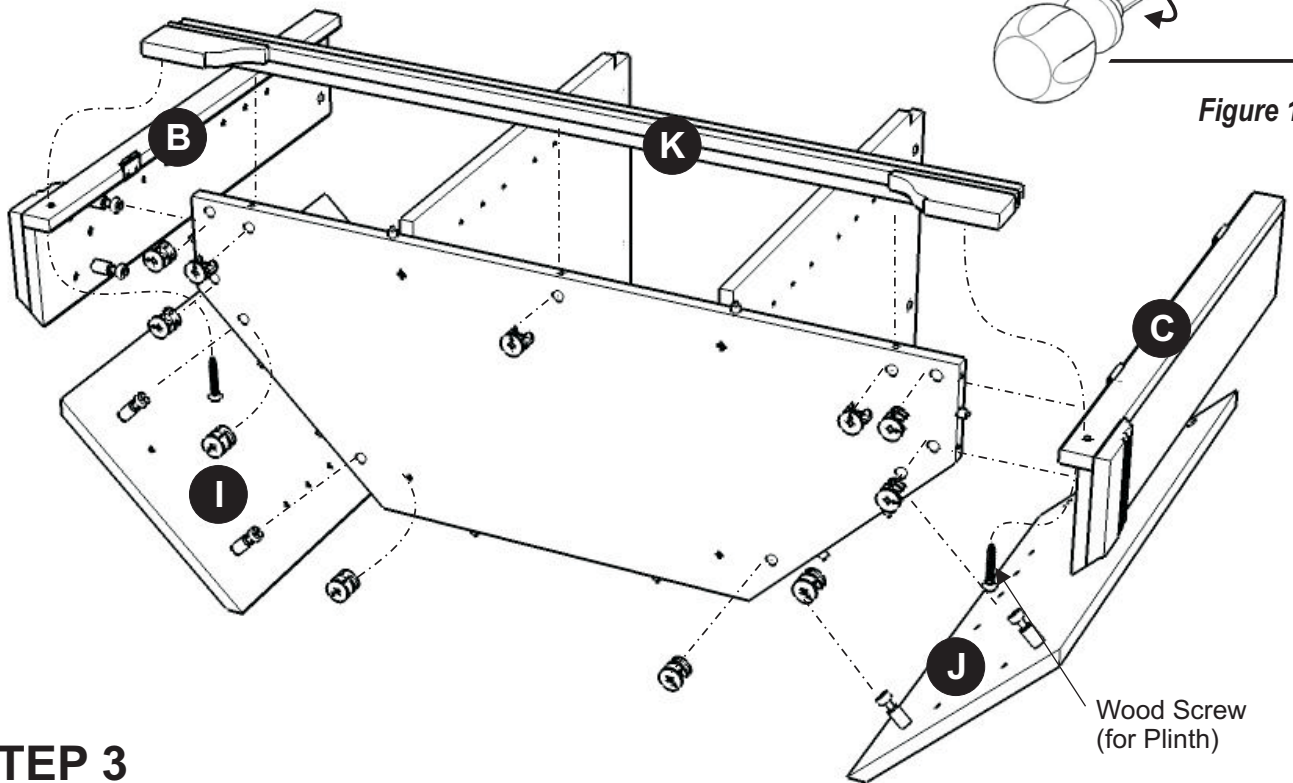


Figure 1



Wood Screw  
(for Plinth)

## STEP 3

Attach Back Panels (I) and (J), Side Panels (B) and (C) to unit with Cam Locks. (see Figure 1)

Attach Plinth (K) to the unit with Cam Locks.

Tighten 2X wood screws into Plinth.

## STEP 4

Attach Back Panel (G) and (H) to the unit with Flat Washers and Wood Screws.

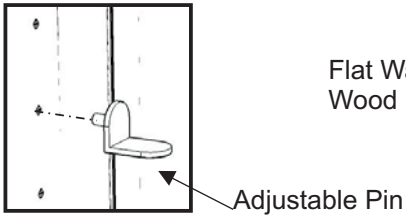


Figure 2

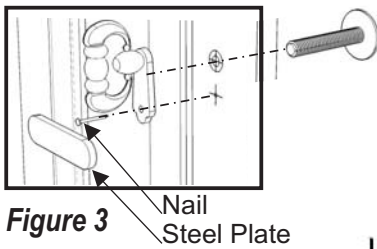


Figure 3

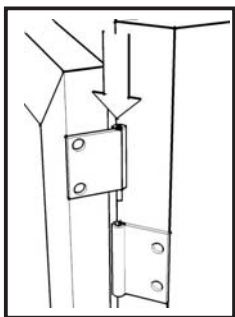
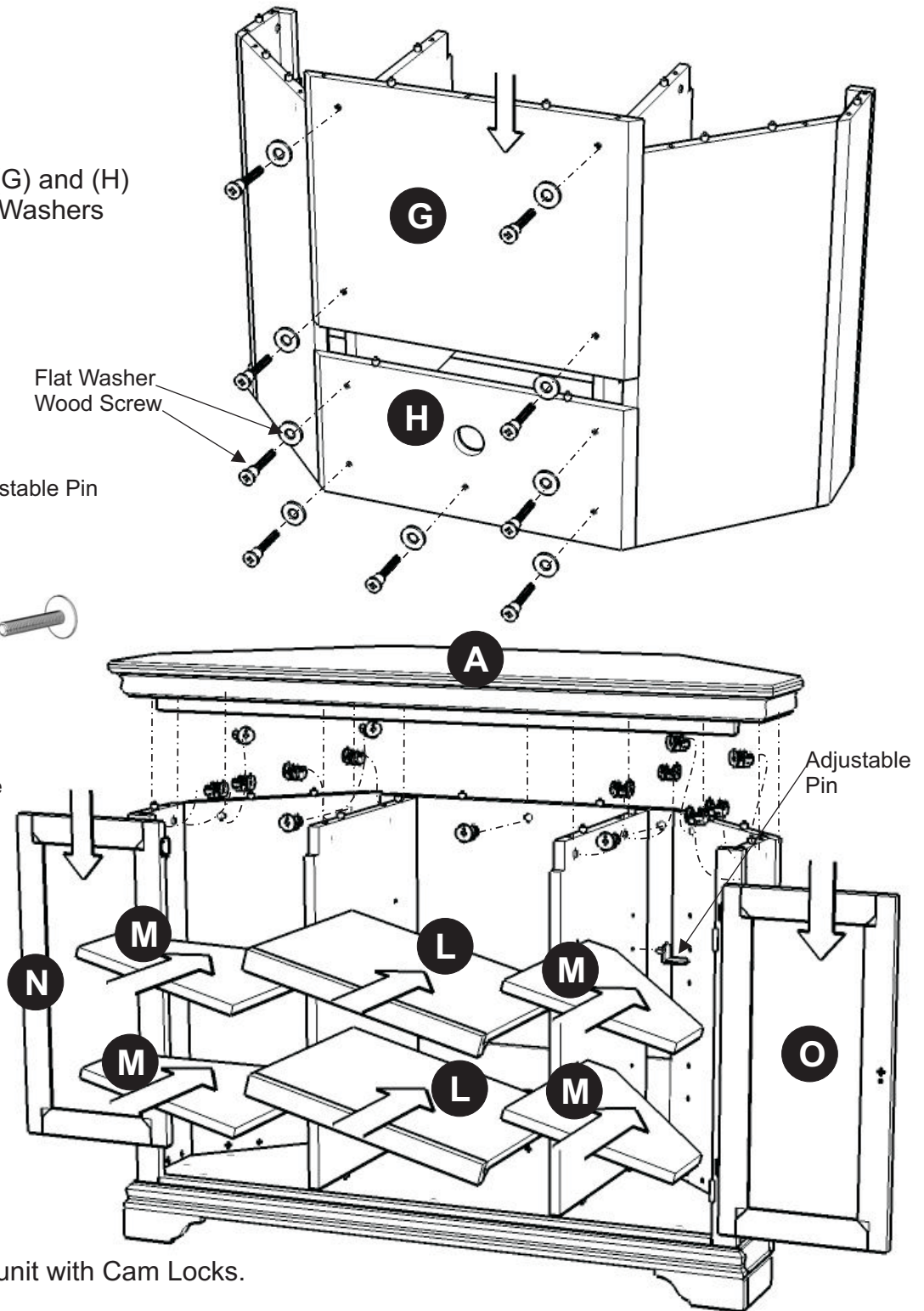


Figure 4



## STEP 5

Place Top (A) onto unit with Cam Locks.

Insert Adjustable Pins into side panels and middle panels at the desired level (see Figure 2), then place Shelves (L) and (M) into position.

Assemble Pull Handles to Door (N) and (O) with Machine Screws, then use the Steel Plate to firmly push the nail through the hole in the Pull Handle and into the pre-drilled hole in the door. (see Figure 3)

Attach Door (N) and (O) to the side panels, by sliding the door lift hinges into the side panels lift hinges. (see Figure 4)