

MS1073T0TX-Cherry

MS1074T0TX-Mission Oak

Window-Pane Double-Door Media Cabinet

Assembly Instruction



For assistance with assembly contact:

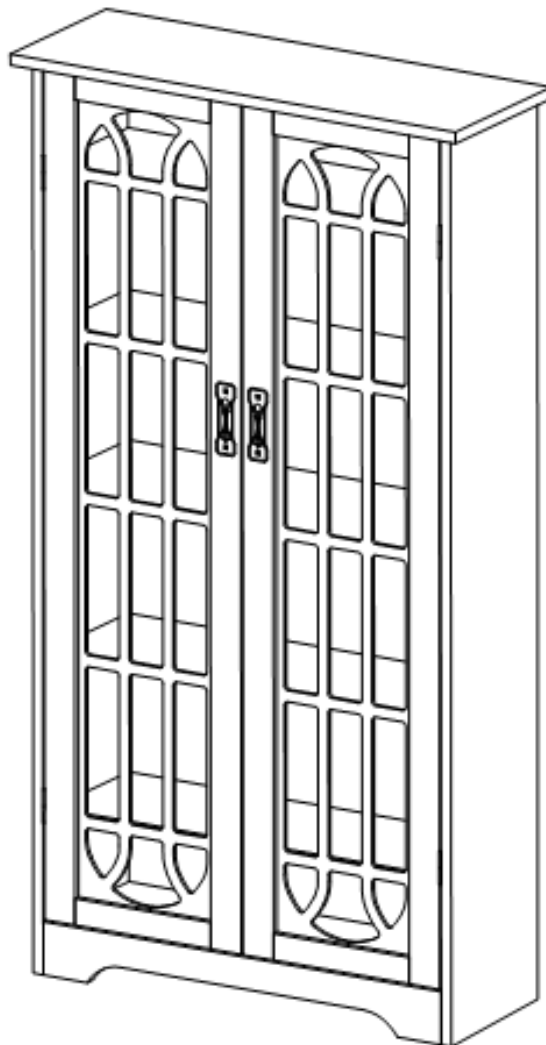
Southern Enterprises Inc.

Customer Service 1-800-633-5096

[service@seidal.com](mailto:service@seidal.com)

[www.seidal.com](http://www.seidal.com)

**PO#11627**

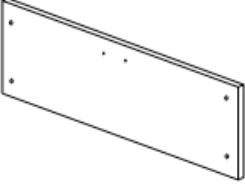
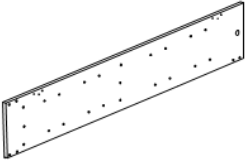
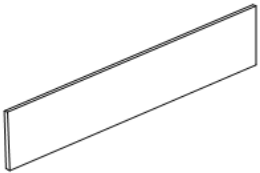

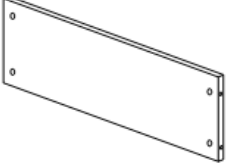
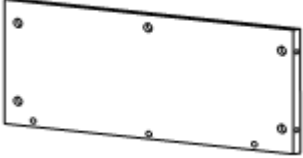
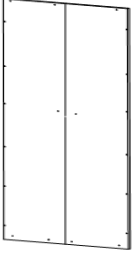

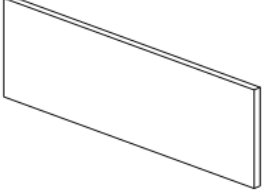




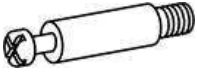





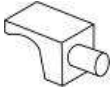









# MS1073T0TX-Cherry / MS1074T0TX-Mission Oak Window-Pane Double-Door Media Cabinet Parts List

Please review all parts and hardware before disposing of any packaging. Call Customer Service if missing hardware. Do not return to store/retailer.

Using a screw that is too long will cause damage. Before beginning assembly, separate each type of screw. Carefully study the screw diagrams below.

You may receive extra hardware with your unit.

<p>A 1pc</p>  <p>Top Panel</p>	<p>B 1pc</p>  <p>Left Side Panel</p>	<p>C 1pc</p>  <p>Right Side Panel</p>
<p>D 1pc</p>  <p>Bottom Front Stretcher</p>	<p>E 3pcs</p>  <p>Middle- Shelf</p>	<p>F 1pc</p>  <p>Bottom Shelf</p>
<p>G 1pcs</p>  <p>Back Panel</p>	<p>H 1pcs</p>  <p>Bottom Back Stretcher</p>	<p>I 2pc</p>  <p>Shelf</p>
<p>J 1pc</p>  <p>Left Facing Door</p>	<p>K 1pc</p>  <p>Right Facing Door</p>	

1		26pcs	2		26pcs	3		4pcs
	Cam Bolt $\phi$ 6.8x36 mm			Cam Lock $\phi$ 15x12 mm			Wood Dowel $\phi$ 8x30 mm	
4		26pcs	5		2pcs	6		4pcs
	Black Screw $\phi$ 3x12 mm			Handle			Bolts $\phi$ 5/32" x12 mm	
7		8pcs	8		1pcs	9		2pcs
	Shelf Holder			Door Catch			Antique Bronze Screw $\square$ 3x12 mm	
10		4pcs	11		28pcs	12		2pcs
	Hinge			Screw $\phi$ 3x12 mm			Door Catcher	
13		2pcs	14		2pcs	15		2pcs
	Screw $\phi$ 2.5x12 mm			Bracket			Plastic Anchor	
16		2pcs						
	Screw $\phi$ 4x44mm							

**Care and Cleaning Instructions:**

Before using , wipe with a clean , dry cloth. Periodically apply furniture wax to renew The finish. Avoid rubbing or scratching the surface with rough or abrasive objects.

For replacement parts or questions, please call Customer Service at 1-800-633-5096. Do not return product to store. Please call manufacturer for assistance, questions or parts.

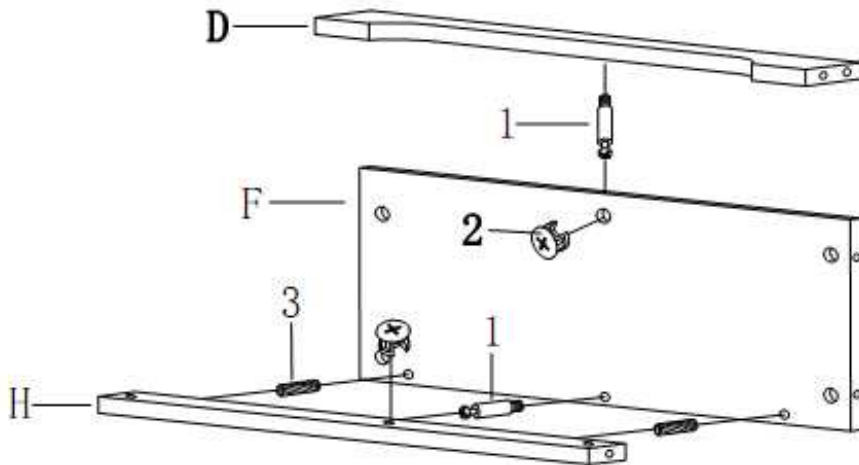
**Assembly Tool Required  
No.2 Phillips Screwdriver**



**Tool List: 3/16" drill bit, drill, tape measure and pencil.**

# MS1073T0TX-Cherry / MS1074T0TX-Mission Oak

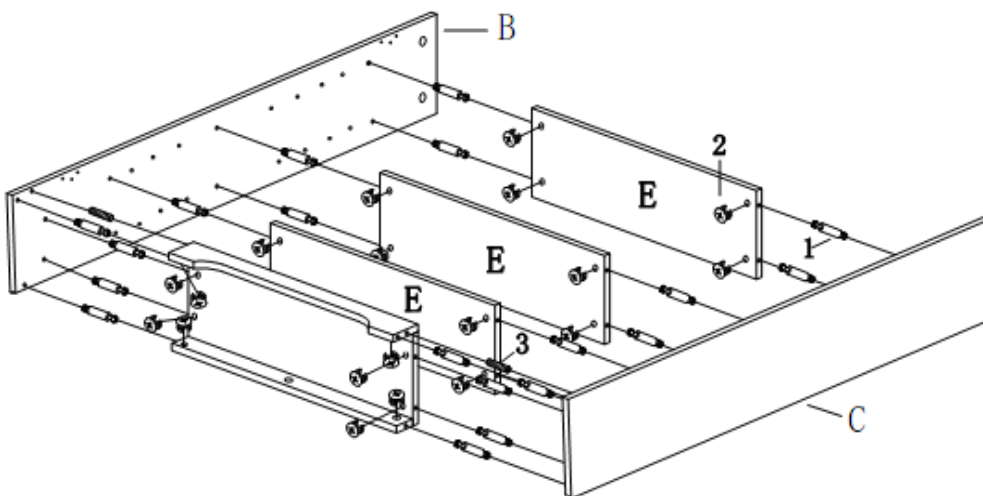
## Window-Pane Double-Door Media Cabinet Assembly Instructions



### Step 1:

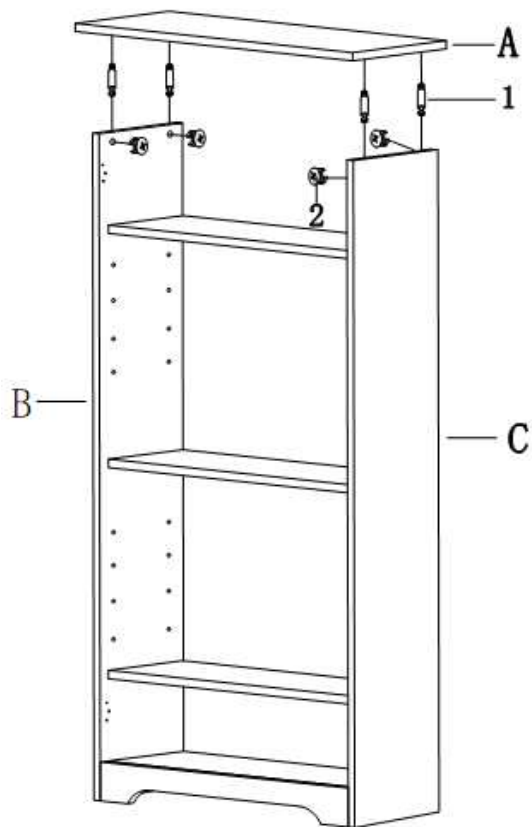
**PLEASE DO NOT  
OVER-TIGHTEN CAMBOLTS.  
PLEASE STOP WHEN  
YOU FEEL TIGHT**

Attach bottom front stretcher (D) and bottom back stretcher (H) to bottom shelf (F) by using cam bolt (1), cam lock (2) and wood dowel (3) as shown.



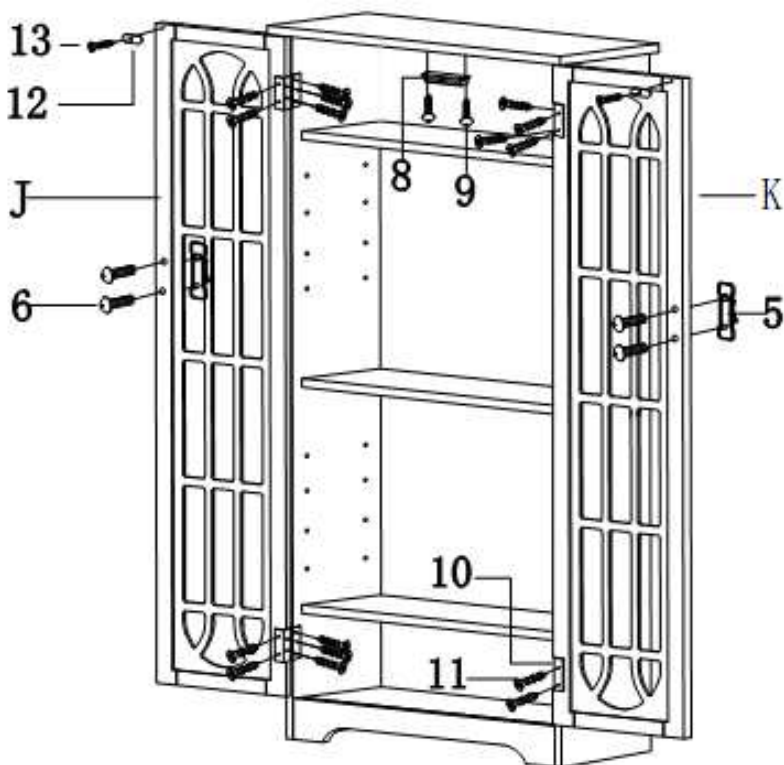
### Step 2:

Attach left side panel (B) and right side panel (C) to the frame, and 3 pcs middle-shelf (E) by using cam bolt (1), cam lock (2) and wood dowel (3) as shown.



**Step 3:**

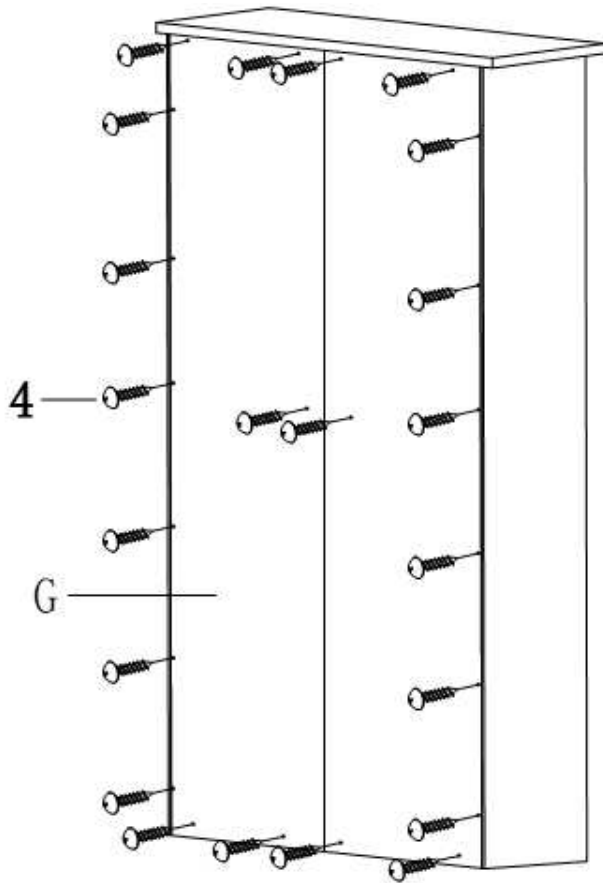
Attach top panel (A) to the frame by using cam bolt (1), cam lock (2) as shown.



**Step 4:**

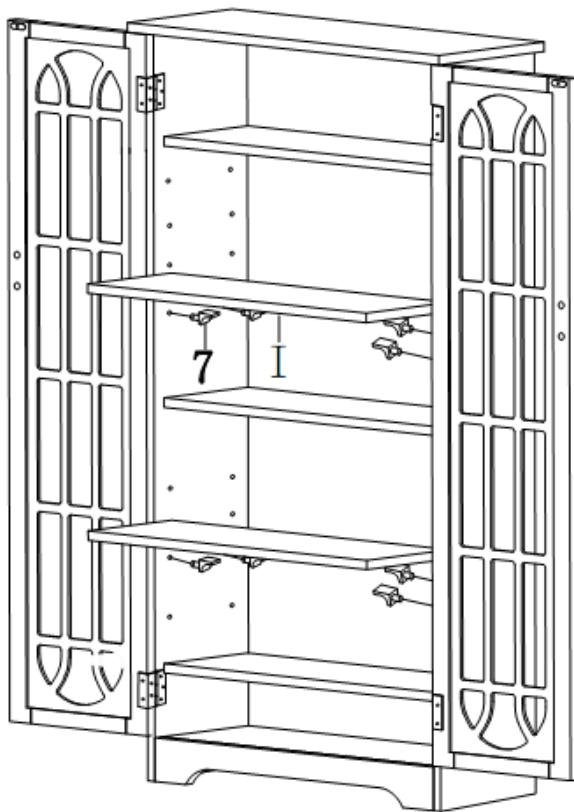
Attach left facing door (J) and right facing door (K) to the frame by using hinge (10) and screw (11) as shown.

Then attach door catch (8) to the top of frame by using screw (9), attach door catcher (12) and handle (5) to both doors by using screw (13) and screw (6) as shown.



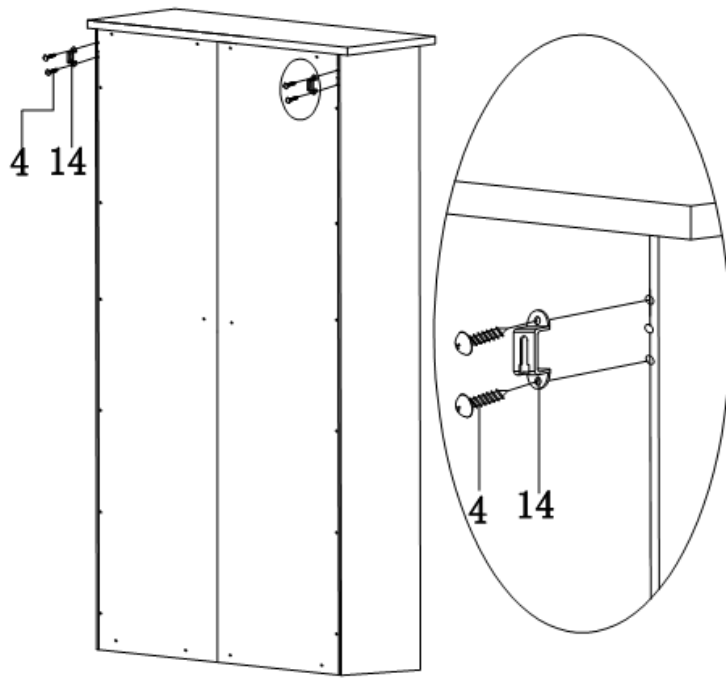
**Step 5:**

Attach back panel (G) to the back of frame by using screw (4) as shown.



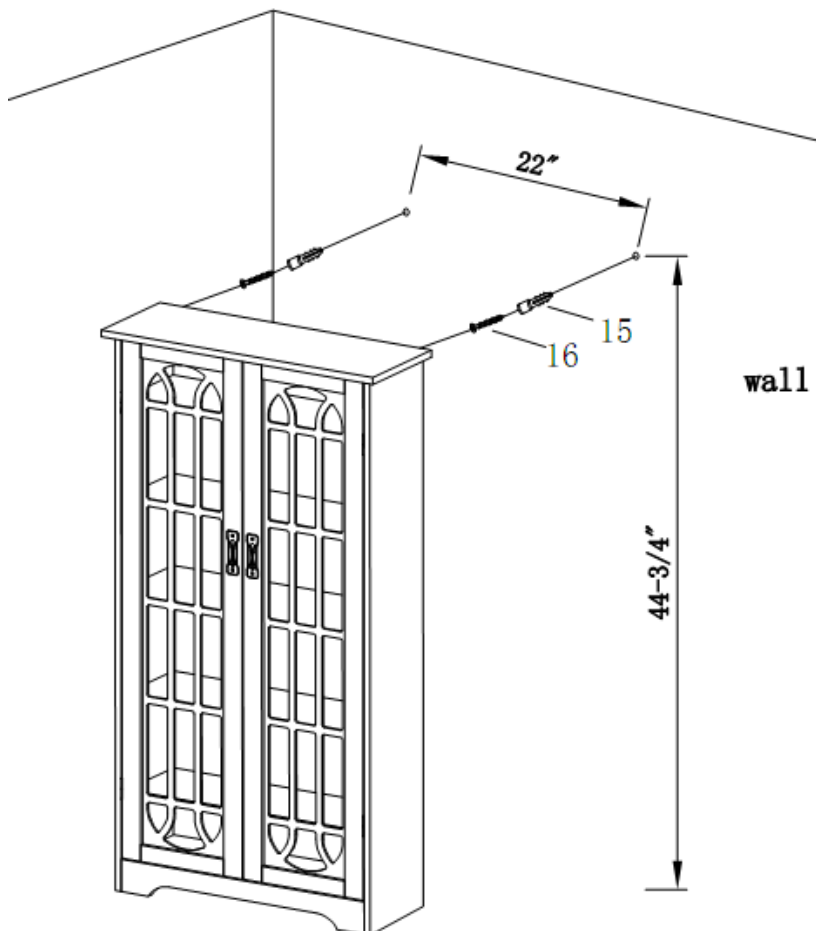
**Step6:**

Insert shelf holder (7) then put on all shelves (I) as shown.



**Step7:**

Attach bracket (14) to the back of cabinet by using screw (4) as shown.



**Step8:**

Drill two 3/16" holes on the wall with measurements as shown.

**Please mount at least 1 screw into a wall stud. No anchors needed when attaching screws directly to a wall stud**

Insert plastic anchors (15) into the holes of wall. (When doing this, you will need a hammer help you).

Inserting screw (16) into plastic anchor (15) as shown.

# Parts Replacement Form

## Customer Information

Name \_\_\_\_\_

Address \_\_\_\_\_

City/State/Zip Code \_\_\_\_\_

Phone Number \_\_\_\_\_

Please indicate where you purchased this item: Store/Website/Catalog  
\_\_\_\_\_

Please indicate color/size/style number:  
\_\_\_\_\_

Style No	Parts Letter	Parts Description
Quantity Needed		
_____		
_____		
_____		

Please immediately examine this product carefully. Any request for missing parts or damage replacement must be received within 90 days of your receipt of the product. Replacement, if available, will be honored within this time frame. Parts will not be available for items arriving fully assembled. We do not recommend modifying product(s) and we are not responsible for any damages due to product modification(s). If damages or missing parts are not reported within 90 days of your receipt, we are under no obligation to provide parts or replacement merchandise.

Please contact Southern Enterprises at 800-633-5096 or in Dallas 972-869-0111/ 9am – 4pm Mon-Fri Central time if you have product issues or email us at [service@seidal.com](mailto:service@seidal.com). Please ask for customer service representative for issues involving damages or replacement parts. Please ask for technical assistance representative for any issues with product and assembly/construction.

Please contact the retailer that you purchased from for returns.



Customer Service 1-800-633-5096

[service@seidal.com](mailto:service@seidal.com)

Southern Enterprises, Inc.

600 Freeport Parkway, Suite 200

Coppell, Texas 75019