



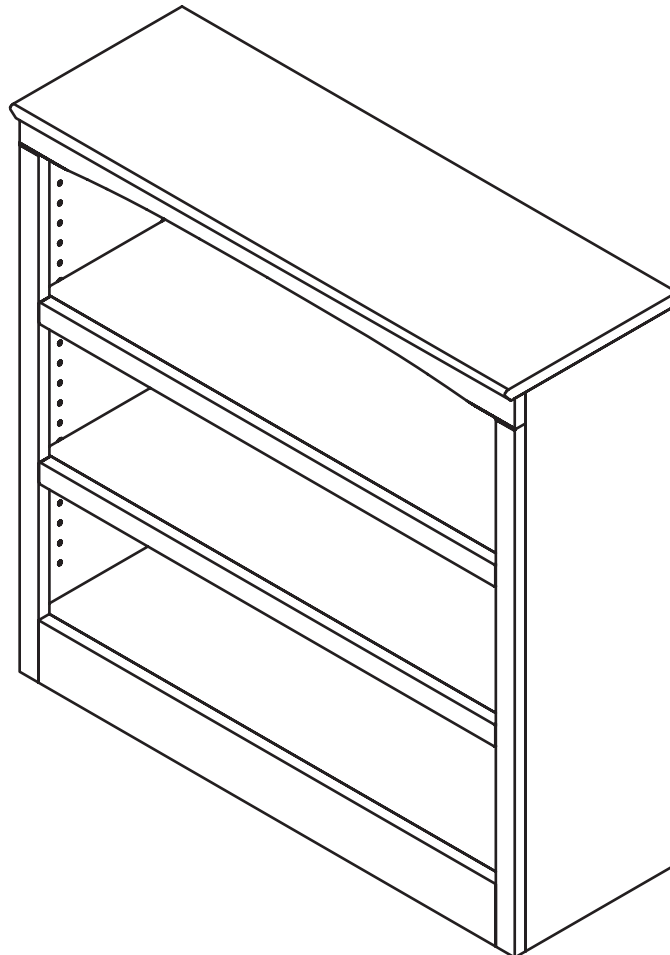
36" BOOK SHELF

ATLANTIC
FURNITURE

ASSEMBLY INSTRUCTIONS



Before assembling your Book Shelf, please read through these instructions carefully, familiarising yourself with the different parts. Please note that you will require a Phillips head screwdriver (customer supplied).



HARDWARE



A WODEN DOWEL - 16 pcs



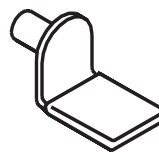
B CONNECTING BOLT - 11 pcs



C CAM LOCK FITTING - 11 pcs



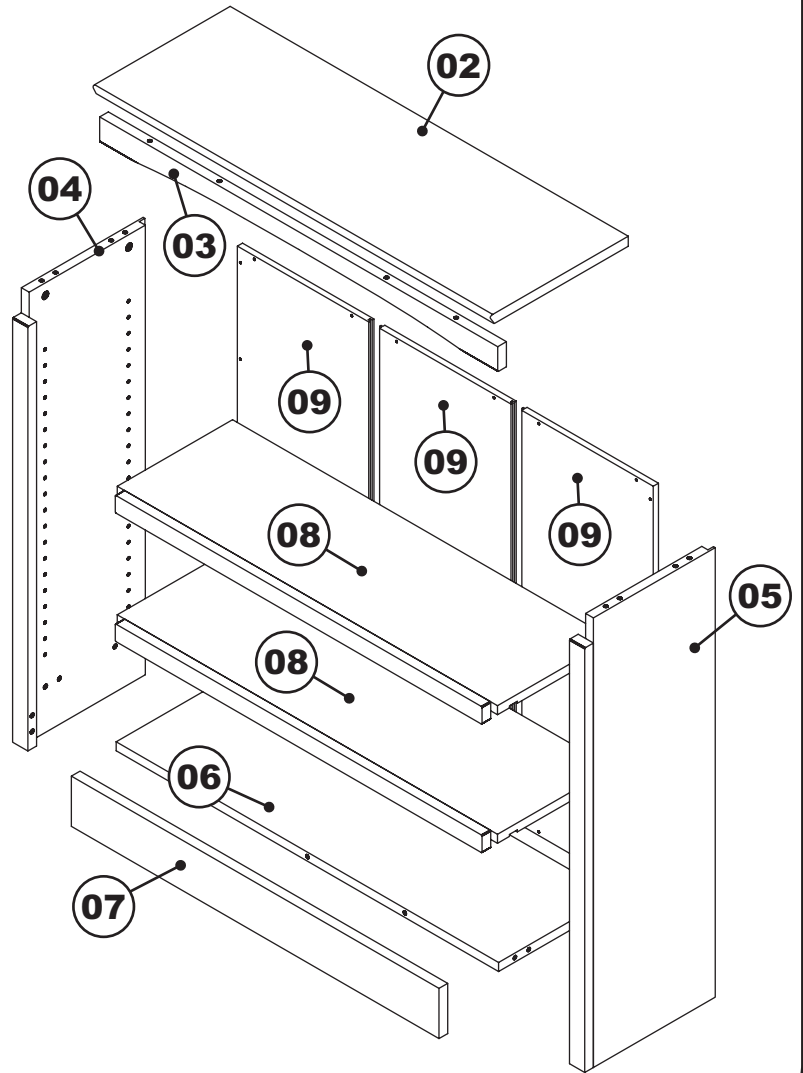
D WOOD SCREW - 22 pcs



E SHELF CLIP - 8 pcs

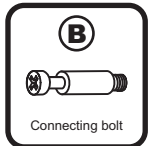
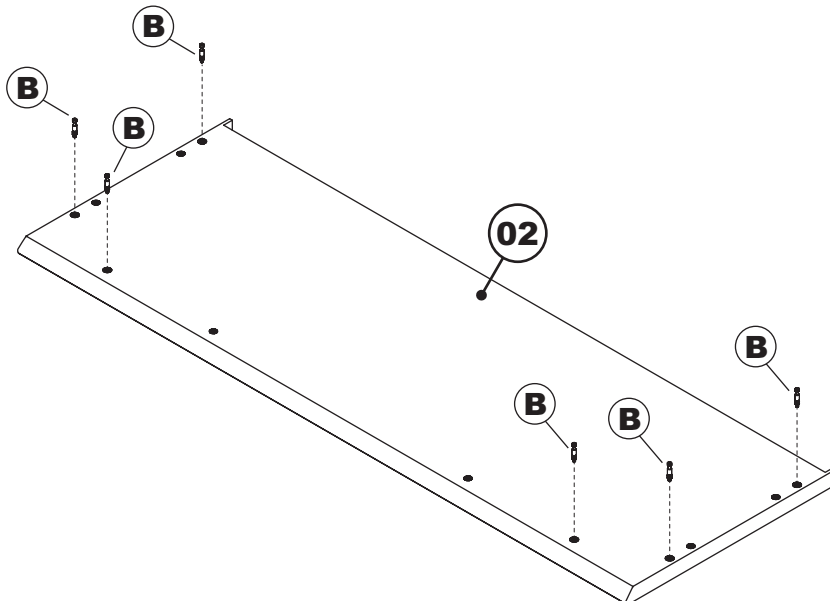
PARTS LIST

01	HARDWARE	1 BOX
02	TOP PANEL	1 PC
03	TOP RAIL	1 PC
04	LEFT SIDE PANEL	1 PC
05	RIGHT SIDE PANEL	1 PC
06	BOTTOM PANEL	1 PC
07	BOTTOM RAIL	1 PC
08	ADJUSTABLE SHELF	2 PCS
09	BACK PANEL	3 PCS



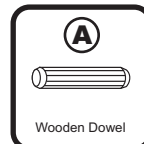
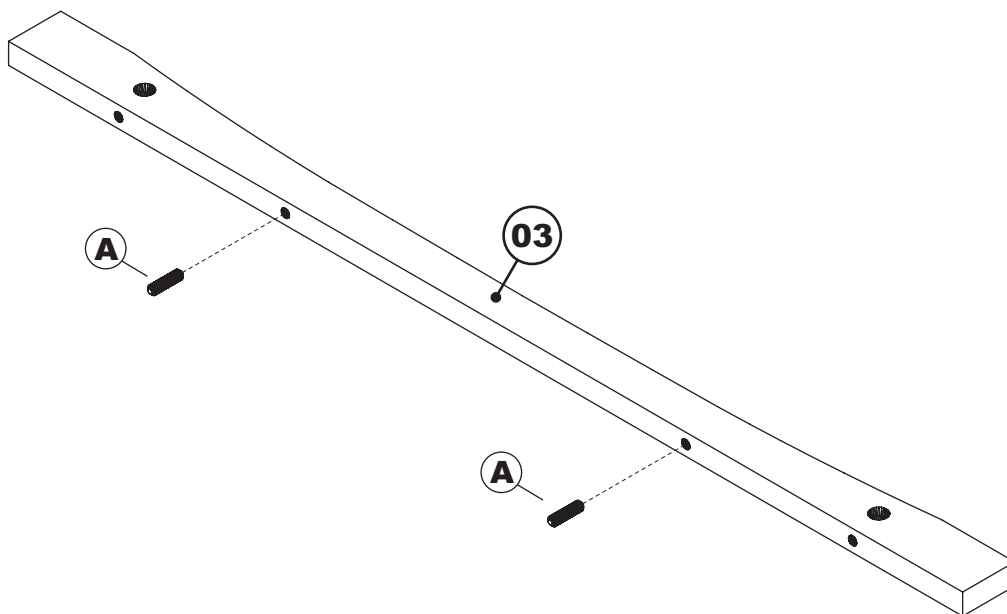
STEP 1

Install connecting bolts (B) into the locator holes on (02) as shown below. Tighten with Phillips head screwdriver (customer supplied).

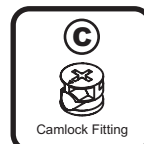
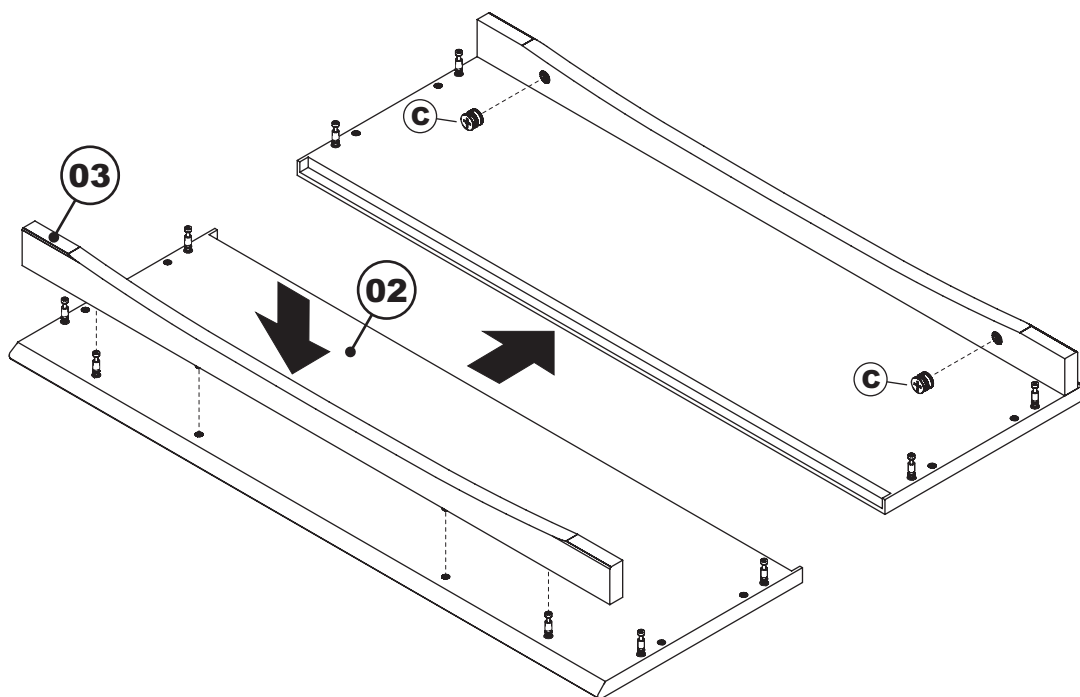


STEP 2

Insert wooden dowels (A) into the locator holes on (03) as shown below.

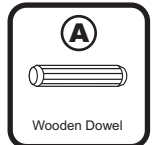
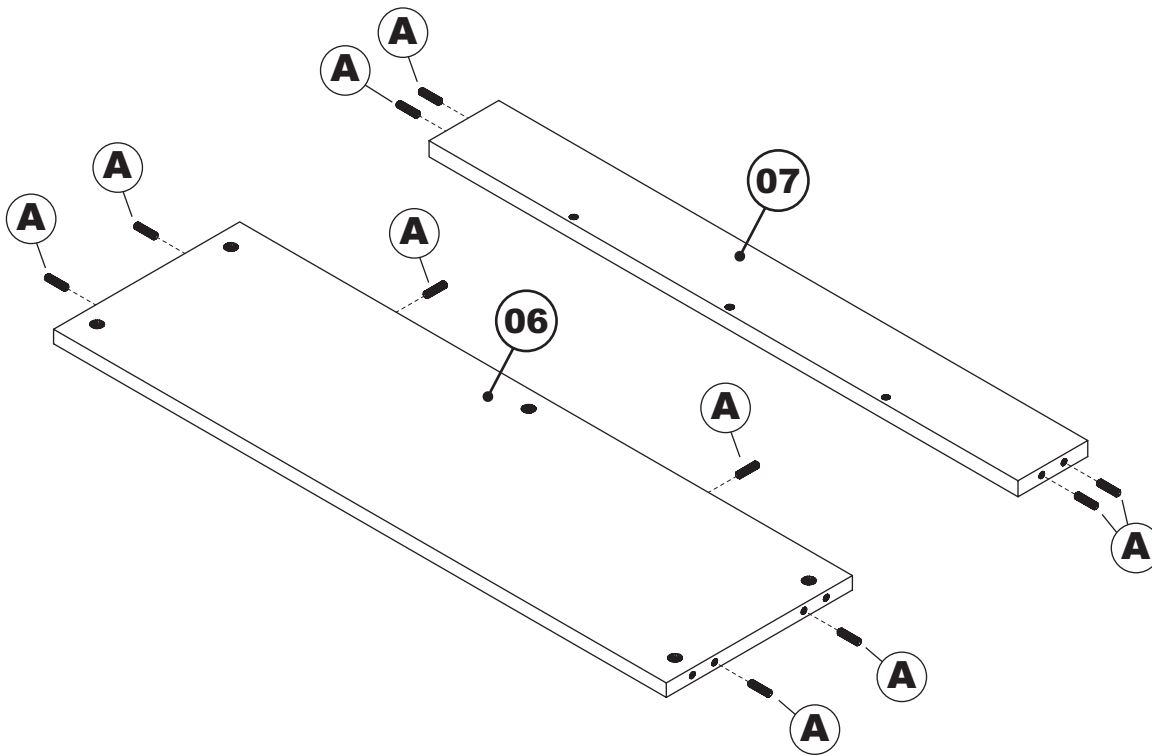
**STEP 3**

Attach top rail (03) to the top panel (02) as shown below. Using camlock fittings (C), tighten with Phillips head screwdriver (customer supplied).

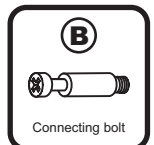
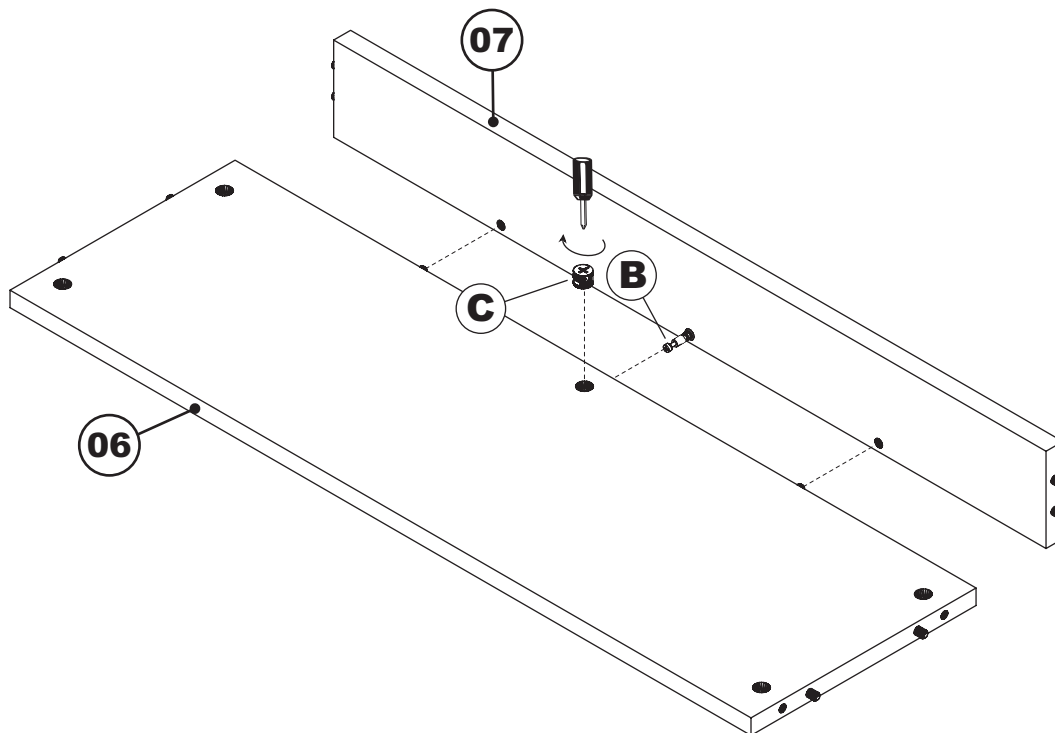


STEP 4

Insert wooden dowels (A) into the locator holes on (06)&(07) as shown below.

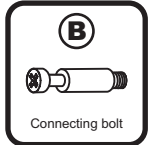
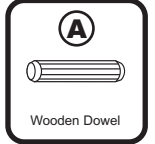
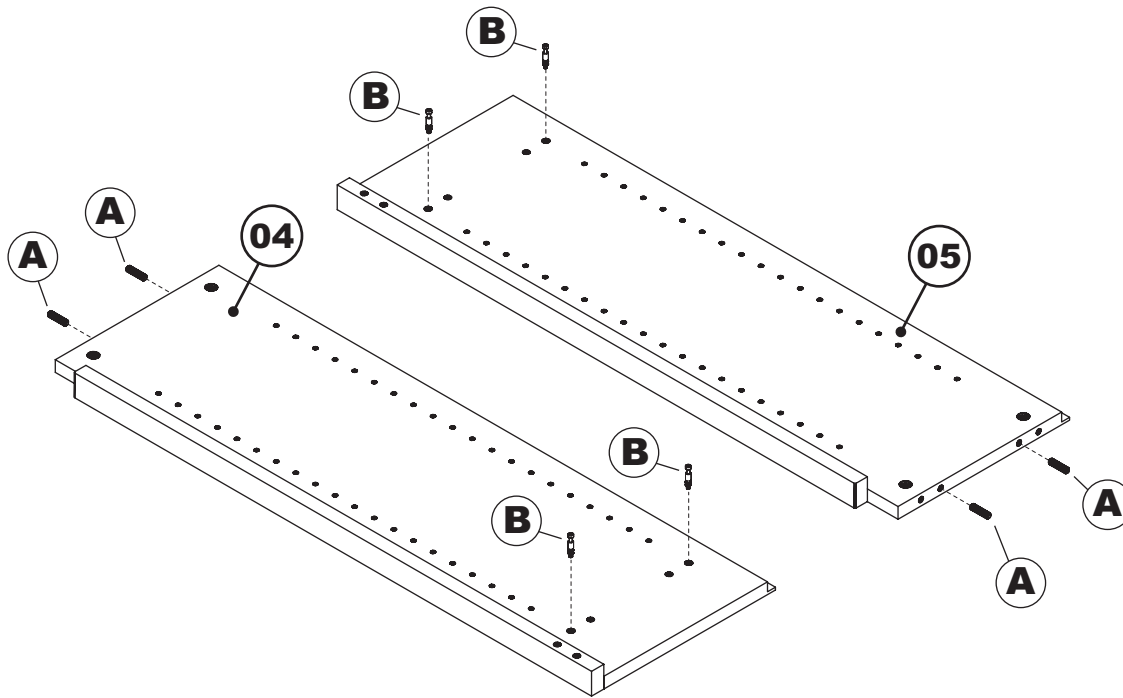
**STEP 5**

Install connecting bolts (B) as shown below and attach bottom rail (07) to the bottom panel (06), using camlock fittings (C). Tighten with Phillips head screwdriver.

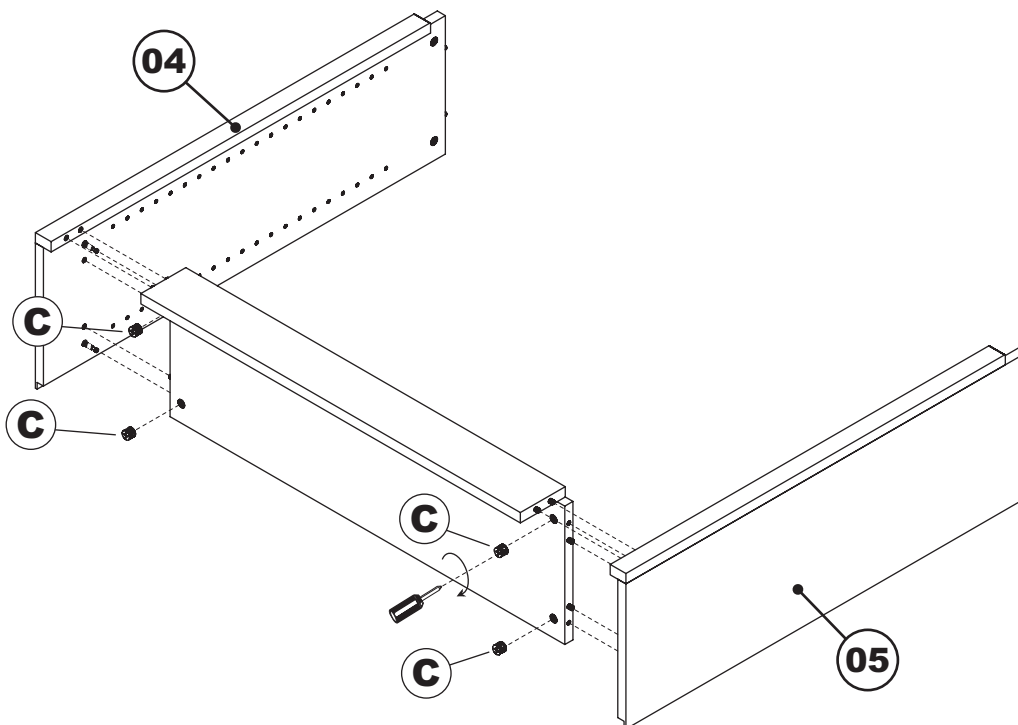


STEP 6

Install connecting bolts (B) and insert wooden dowels (A) into the locator holes on (04)&(05) as shown below. Tighten with Phillips head screwdriver.

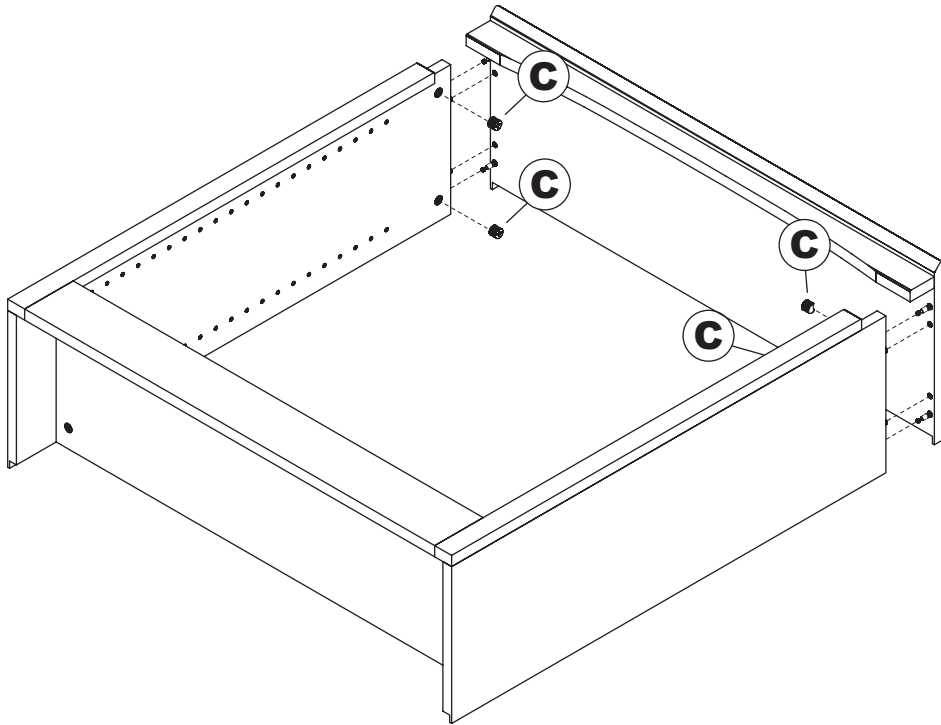
**STEP 7**

Attach bottom panel assemblies to the left, right side panels (04)&(05) as shown below. Using camlock fittings (C), tighten with Phillips head screwdriver.



STEP 8

Attach top panel to the side panel assemblies as shown below. Using camlock fittings (C), tighten with Phillips head screwdriver (customer supplied).



Assembling by Adult



Camlock Fitting

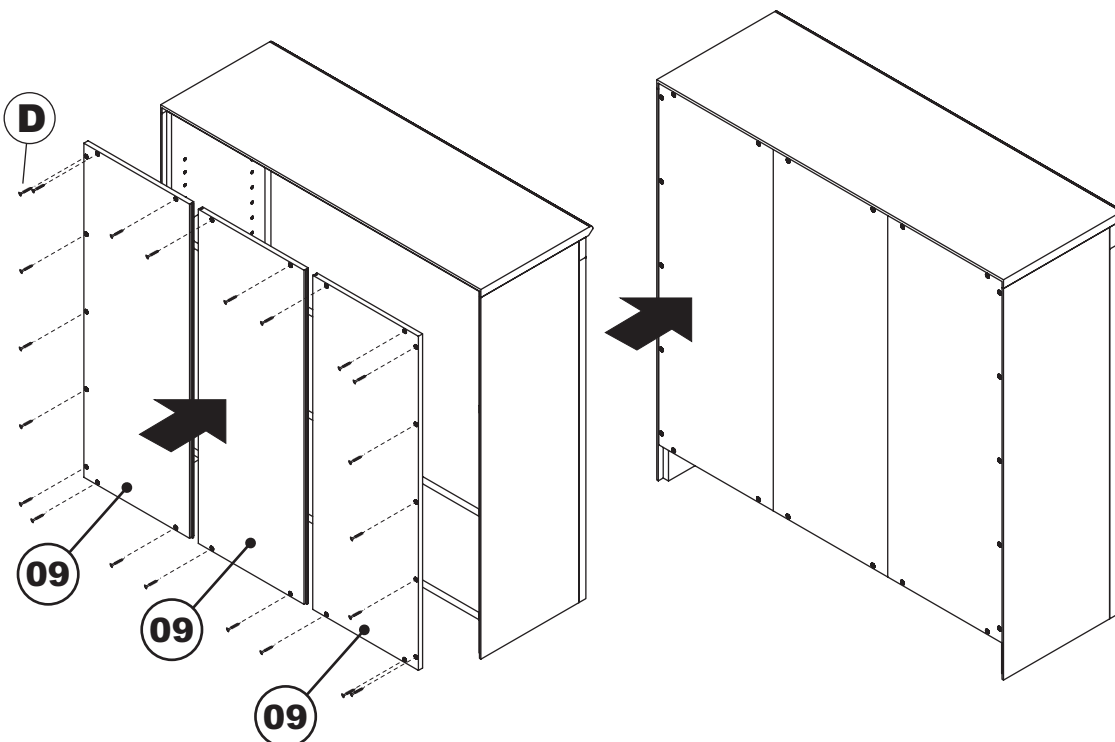


Phillips head screwdriver

Customer supplied

STEP 9

Attach back panel (09) to the book shelf assemblies as shown below. Using wood screws (D), tighten with Phillips head screwdriver (customer supplied).



Assembling by Adult



Wood Screw

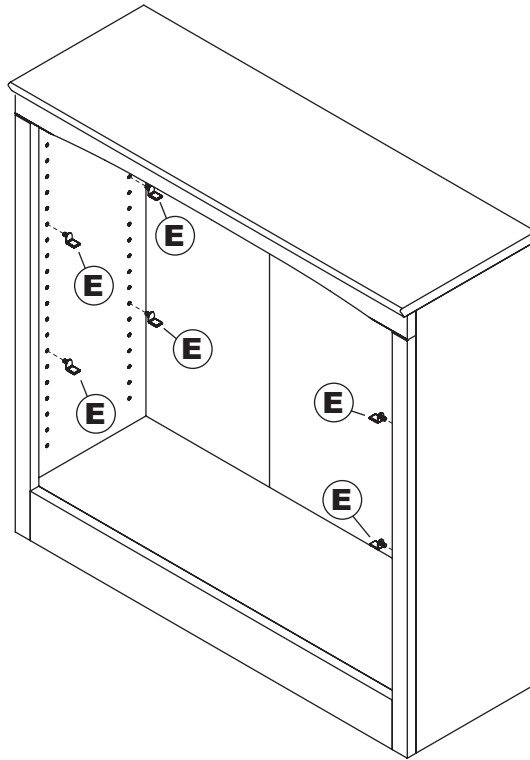


Phillips head screwdriver

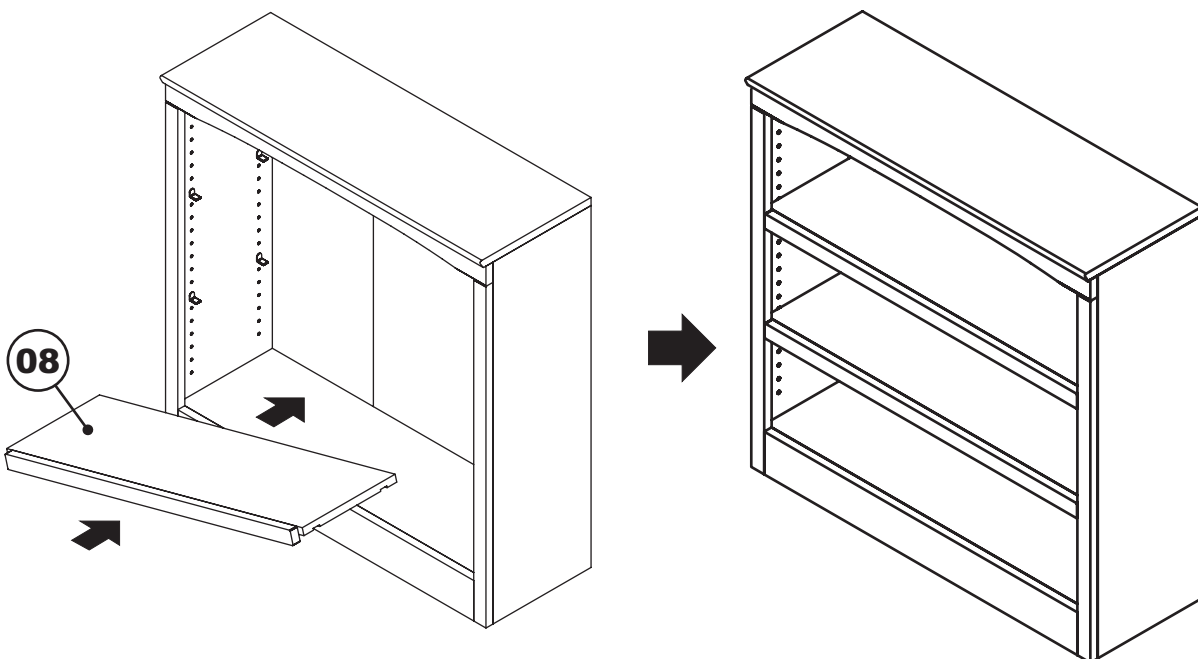
Customer supplied

STEP 10

Install shelf clips (E) into the locator holes on side panels as shown below.
NOTE : Your book shelf has 20 different levels of locator holes to attach the adjustable shelves.

**STEP 11**

Install adjustable shelves (08) to the book shelf as shown below.



Congratulations !

Your Book Shelf is now ready for use.

We recommend that you recheck that all screws are tightened.
Check that all parts are secure before use, and periodically, to ensure safety.