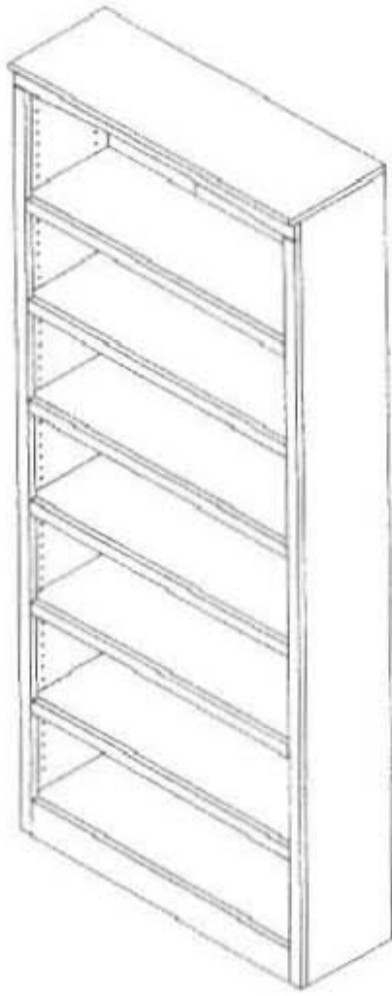


## ASSEMBLY INSTRUCTIONS

Before assembling your Book Shelf, please read through these instructions carefully, familiarising yourself with the different parts. Please note that you will require a Philips head screwdriver (customer supplied).



### HARDWARE



**A** WODEN DOWEL - 16 pcs



**B** CONNECTING BOLT - 11 pcs



**C** CAM LOCK FITTING - 11 pcs



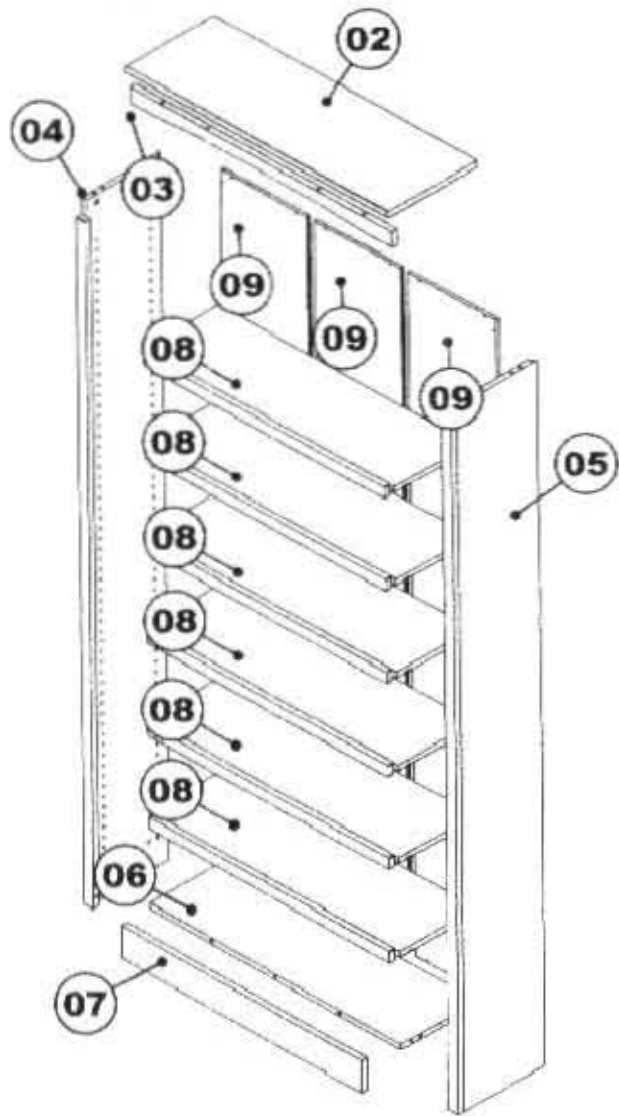
**D** WOOD SCREW - 30 pcs



**E** SHELF CLIP - 24 pcs

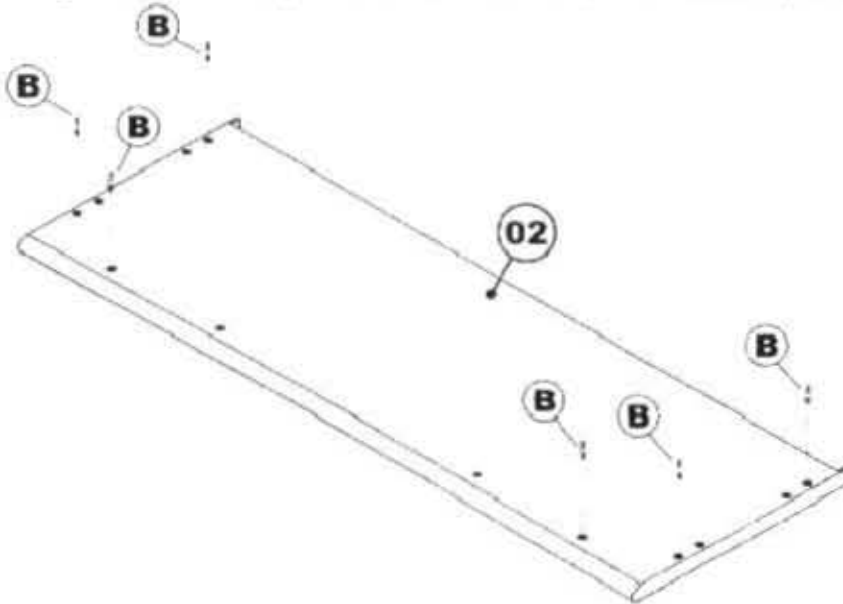
# PARTS LIST

01	HARDWARE	1 BOX
02	TOP PANEL	1 PC
03	TOP RAIL	1 PC
04	LEFT SIDE PANEL	1 PC
05	RIGHT SIDE PANEL	1 PC
06	BOTTOM PANEL	1 PC
07	BOTTOM RAIL	1 PC
08	ADJUSTABLE SHELF	6 PCS
09	BACK PANEL	3 PCS



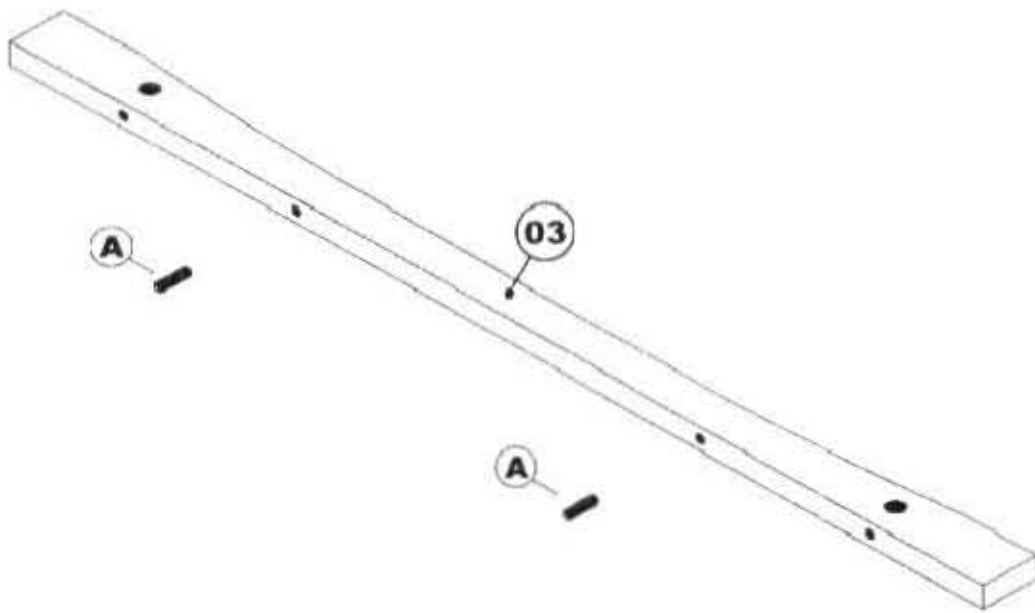
## STEP 1

Install connecting bolts (B) into the locator holes on (02) as shown below. Tighten with Phillips head screwdriver (customer supplied).



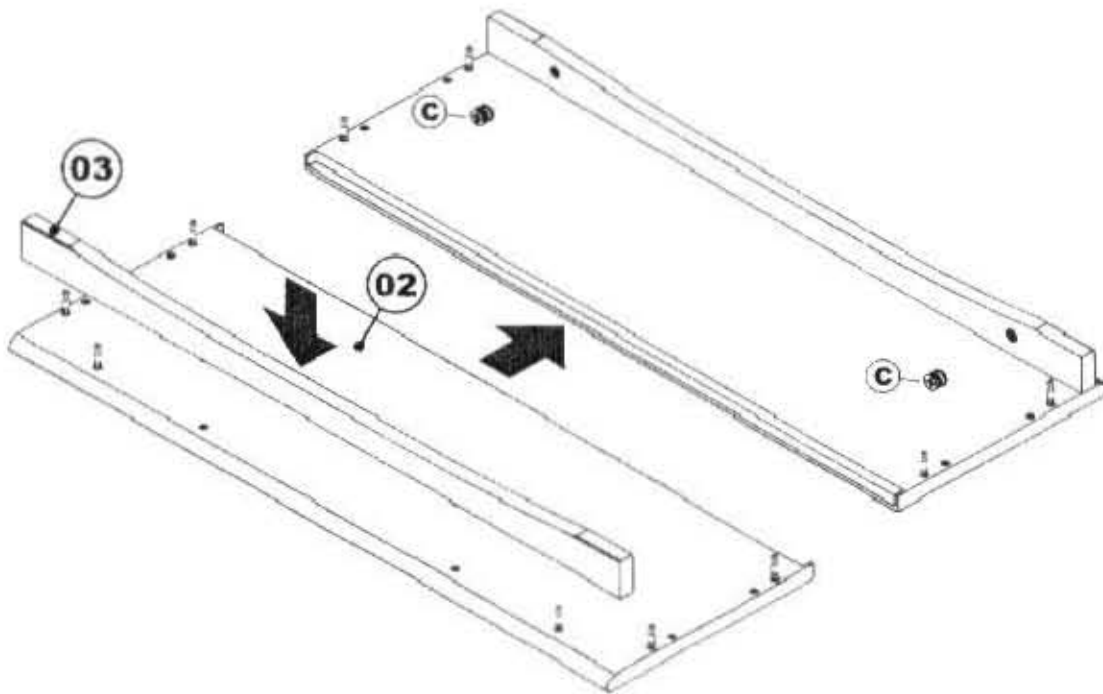
**STEP 2**

Insert wooden dowels (A) into the locator holes on (03) as shown below



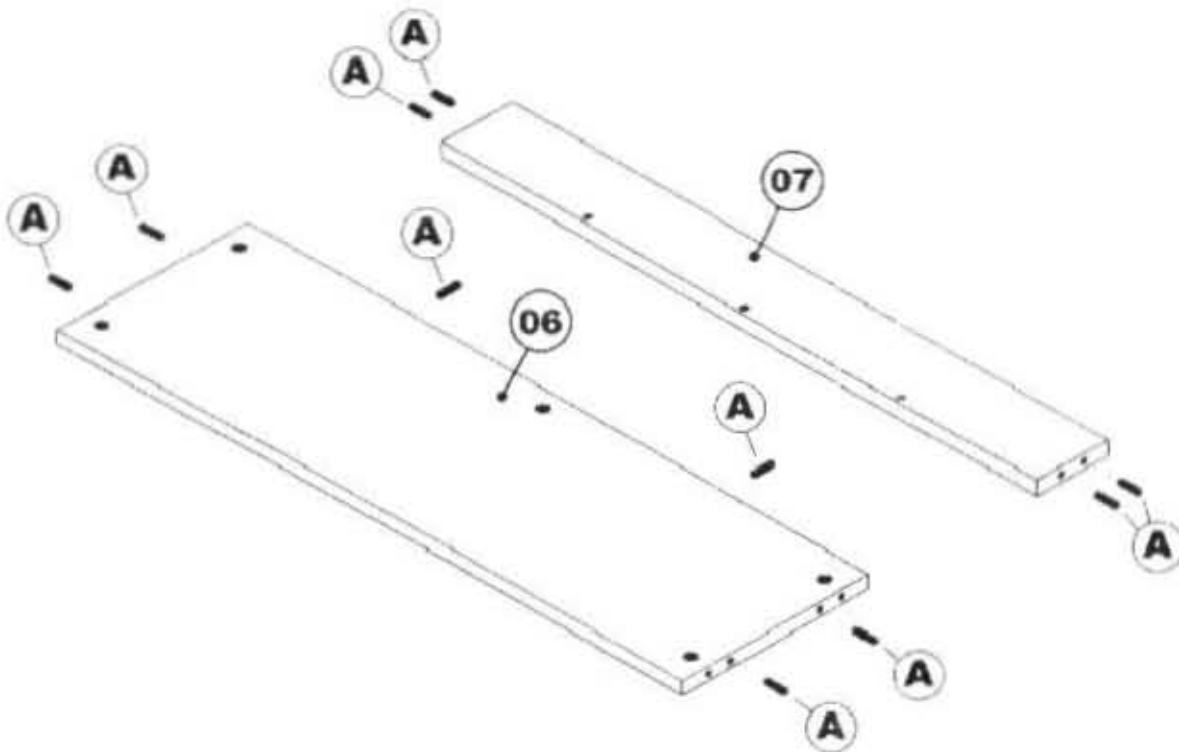
**STEP 3**

Attach top rail (03) to the top panel (02) as shown below. Using camlock fittings (C), tighten with Phillips head screwdriver (customer supplied).

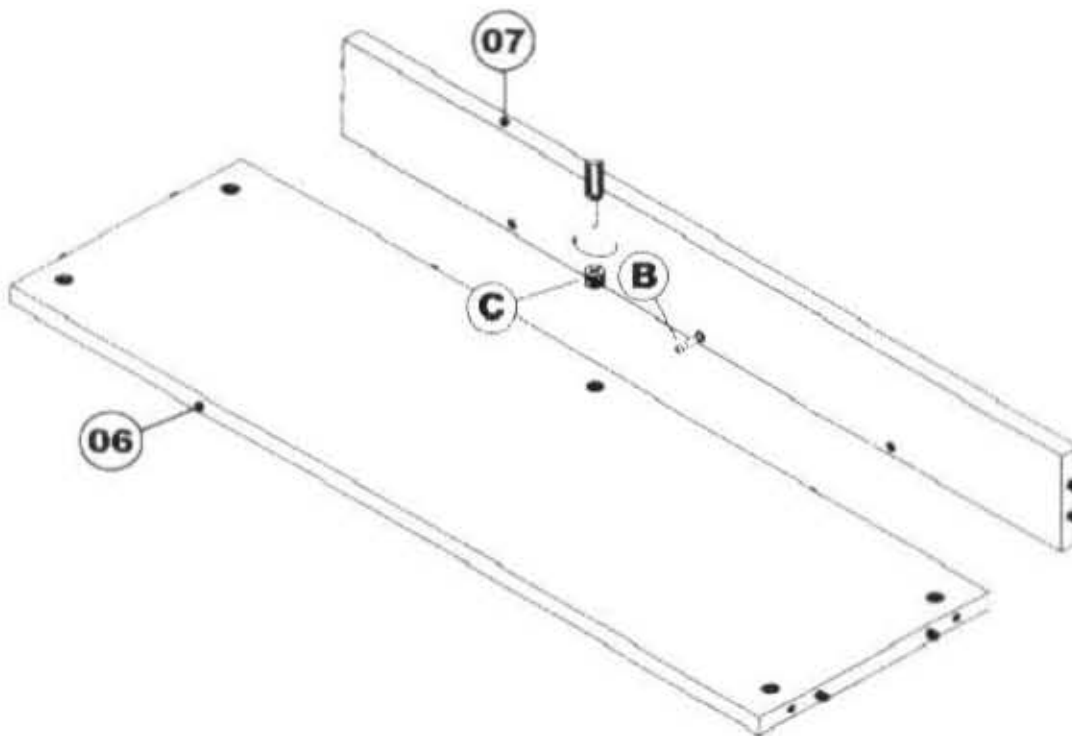


**STEP 4**

Insert wooden dowels (A) into the locator holes on (06)&(07) as shown below.

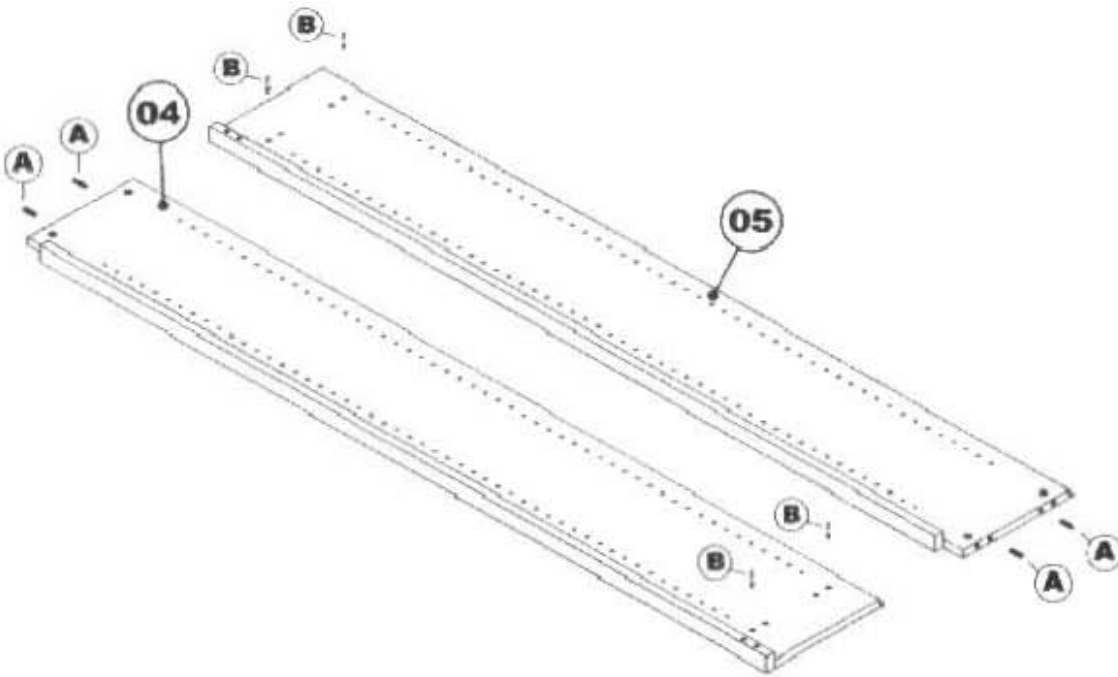
**STEP 5**

Install connecting bolt (B) as shown below and attach bottom rail (07) to the bottom panel (06), using camlock fitting (C). Tighten with Phillips head screwdriver.

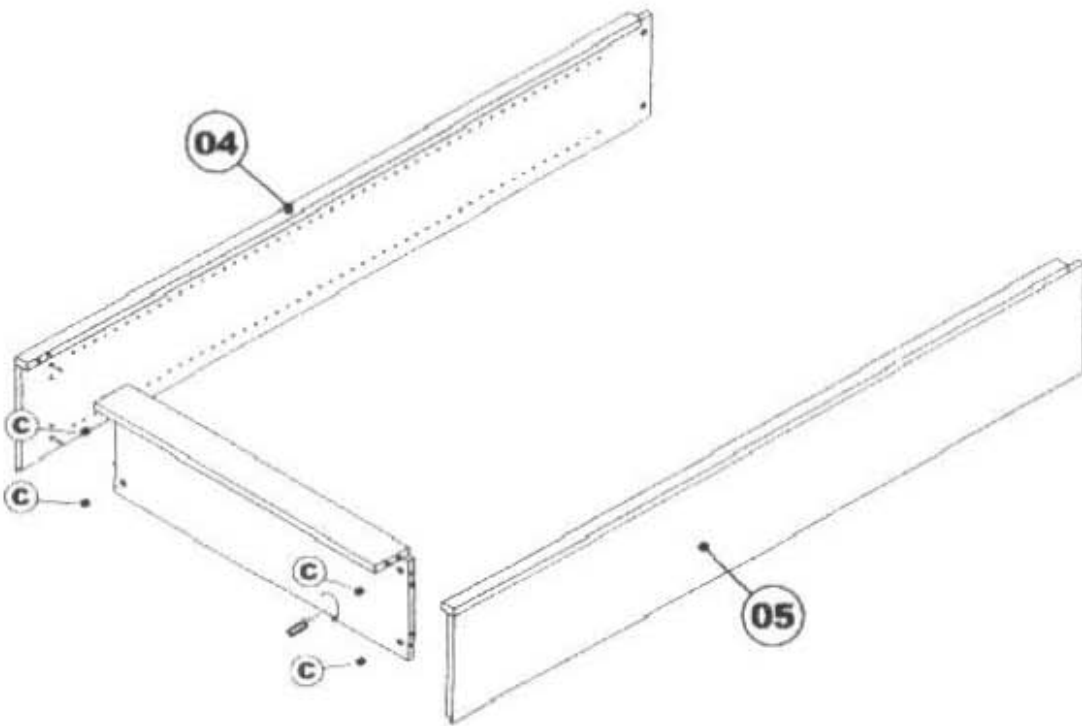


**STEP 6**

Insert wooden dowels (A) and install connecting bolt (B) into the locator holes on (04)&(05) as shown below. Tighten with Phillips head screwdriver.

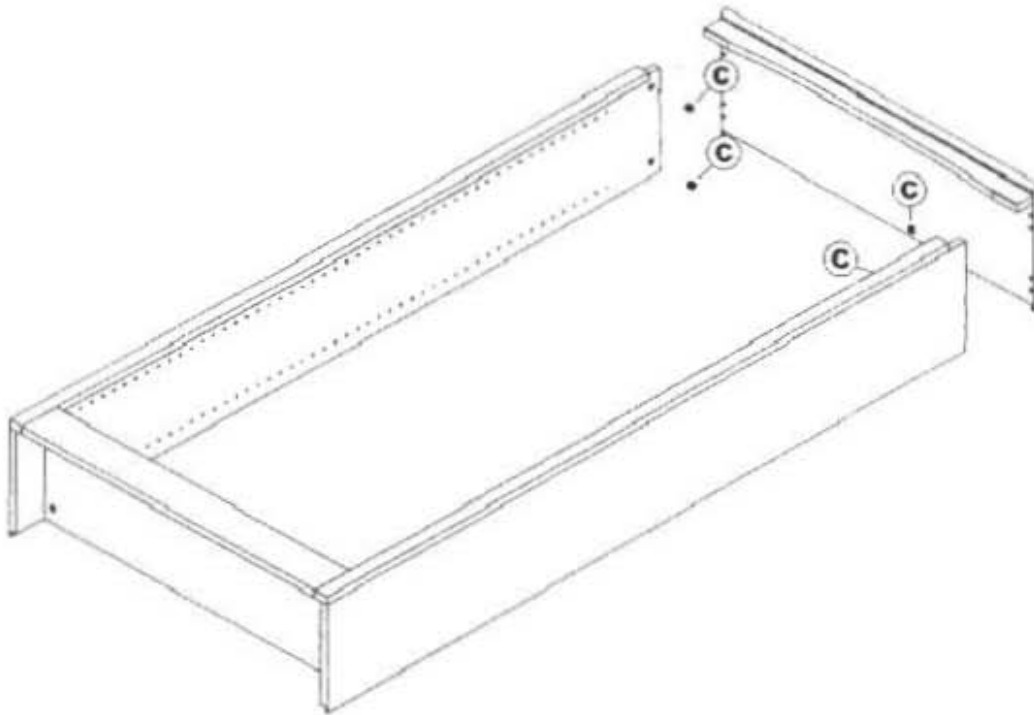
**STEP 7**

Attach bottom panel assemblies to the left, right side panels (04)&(05) as shown below. Using camlock fittings (C), tighten with Phillips head screwdriver.



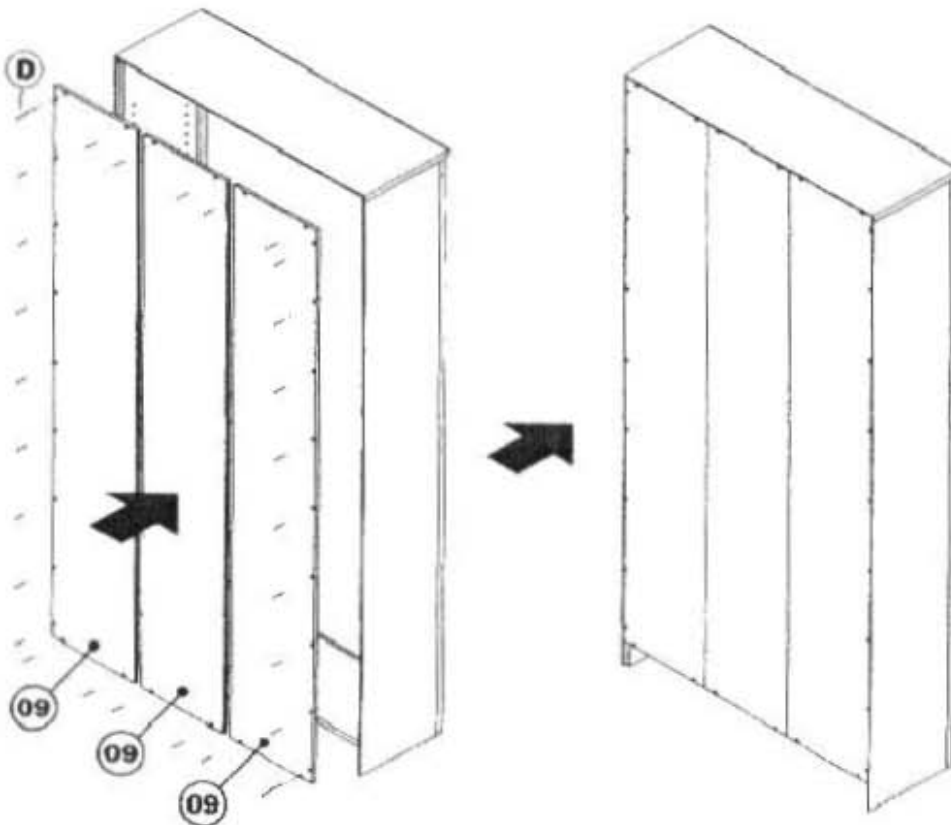
**STEP 8**

Attach top panel to the side panel assemblies as shown below. Using camlock fittings (C), tighten with Phillips head screwdriver (customer supplied).



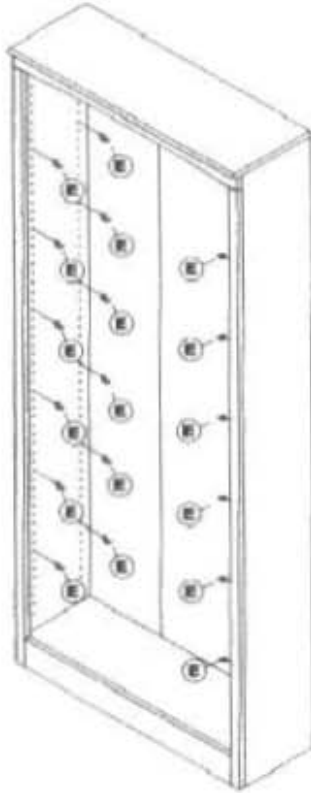
**STEP 9**

Attach back panel (09) to the book shelf assemblies as shown below. Using wood screws (D), tighten with Phillips head screwdriver (customer supplied).

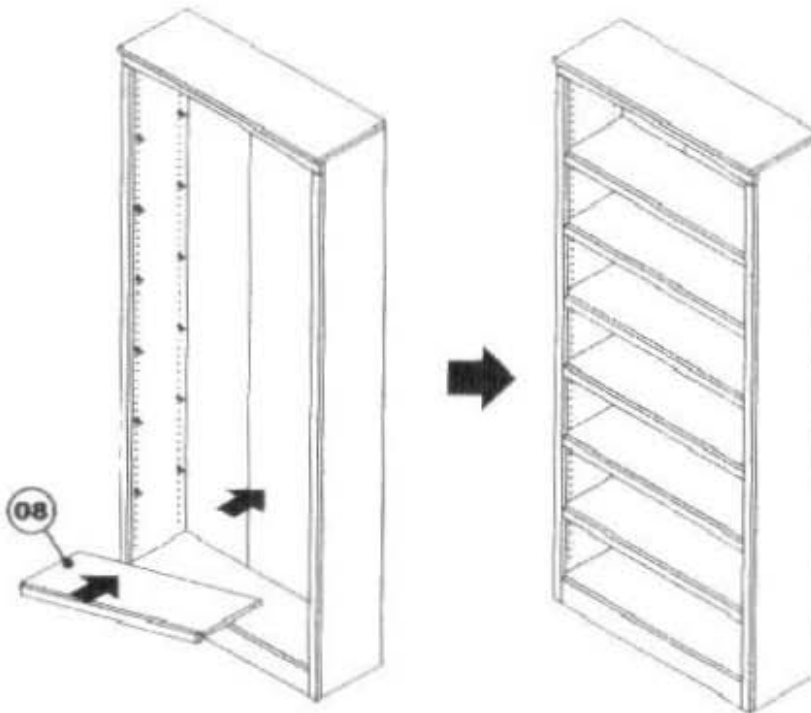


**STEP 10**

Install shelf clips (E) into the locator holes on side panels as shown below  
**NOTE :** Your book shelf has 60 different Levels of locator holes to attach the adjustable shelves.

**STEP 11**

Install adjustable shelves (08) to the book shelf as shown below.

**Congratulations !**

Your Book Shelf is now ready for use

We recommend that you recheck that all screws are tightened.  
 Check that all parts are secure before use, and periodically, to ensure safety.