

# 88 5060 941

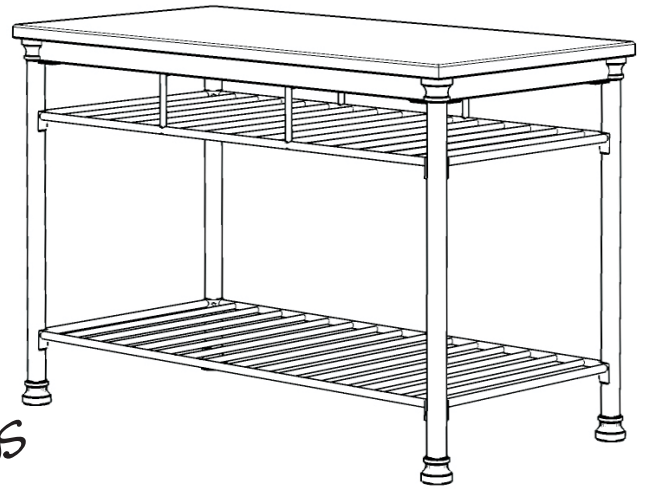
## The Orleans Kitchen Island

### IMPORTANT NOTE

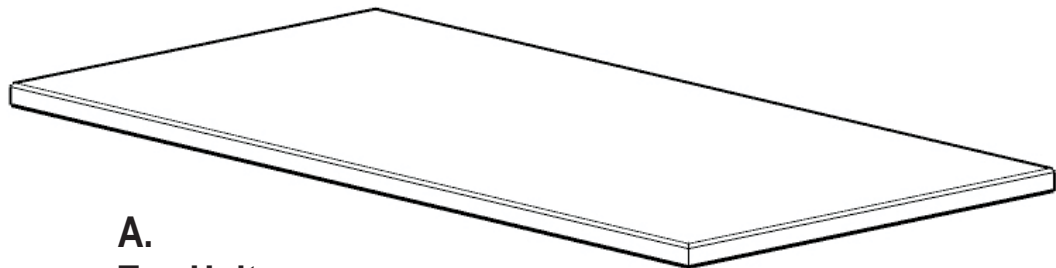
Carefully remove all the parts from the carton and put them individually on a soft cloth to prevent scratches or other damages occurring to the parts.

We have taken great care in the design of this product and request that you carefully and strictly follow our assembly instructions to ensure a completed product as it was designed.

*Home  
Styles*



## Part List



**A.**  
**Top Unit**  
1 pc.

**For assembly see instructions in carton 88 5060 942**

**Home Styles Consumer Assistance Line 888-680-7460 and 877-831-0319**  
**[servicedesk@homestyles-furniture.com](mailto:servicedesk@homestyles-furniture.com)**

# 88 5060 942

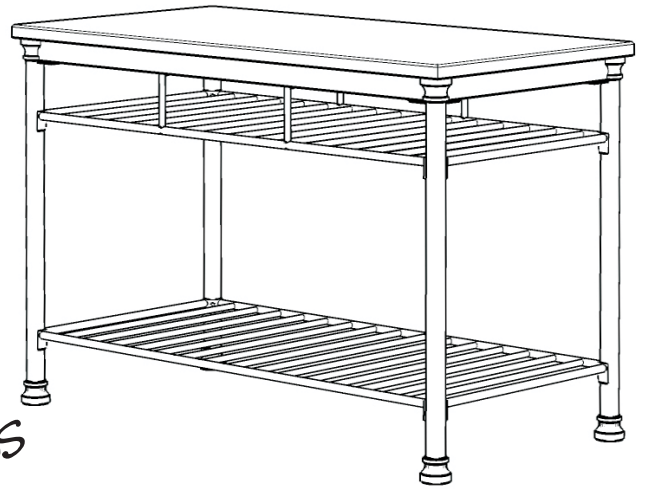
## The Orleans Kitchen Island

### IMPORTANT NOTE

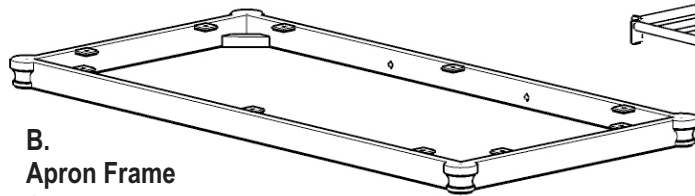
Carefully remove all the parts from the carton and put them individually on a soft cloth to prevent scratches or other damages occurring to the parts.

We have taken great care in the design of this product and request that you carefully and strictly follow our assembly instructions to ensure a completed product as it was designed.

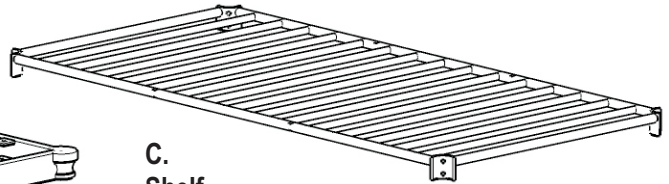
*Home Styles*



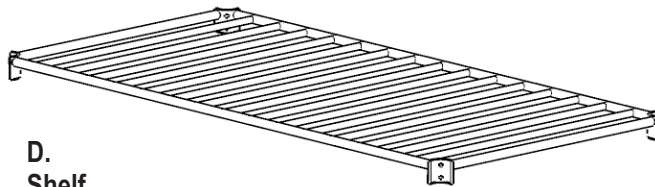
### Part List (in this carton)



**B.**  
Apron Frame  
1 pc.



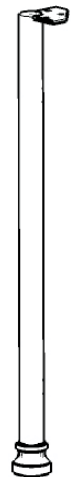
**C.**  
Shelf  
1 pc.



**D.**  
Shelf  
1 pc.



**E.**  
Support  
4 pcs.



**F.**  
Leg  
4 pcs.

### Hardware List



Hex Wrench  
1 pc.



Spring Washer  
14 pcs. (+1 extra)



Head Cap Bolt  
14 pcs. (+1 extra)



Head Cap Bolt  
(short)  
28 pcs. (+1 extra)



Small  
Hex Wrench  
1 pc.



Flat Washer  
14 pcs. (+1 extra)



Head Cap Bolt  
(long)  
4 pcs. (+1 extra)

Tools recommended for assembly :Level

Home Styles Consumer Assistance Line 888-680-7460 and 877-831-0319  
[servicedesk@homestyles-furniture.com](mailto:servicedesk@homestyles-furniture.com)

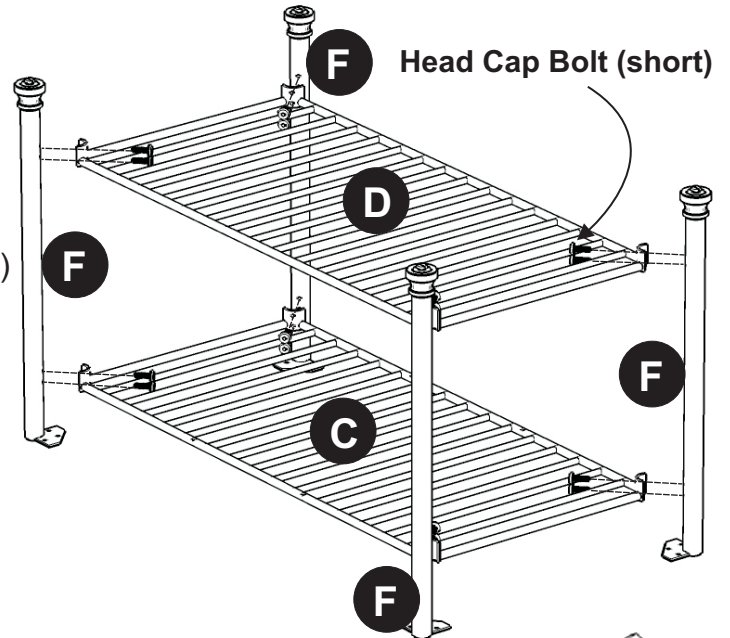
**IMPORTANT**

- \* Do not tighten up all the screws until each part is properly assembled.
- \* You should keep Hex Wrench in a safe place as you may need to tighten up the Head Cap Bolts in the future.
- \* After assembly item must be level to work properly. Use the included adjustable levelers to level.

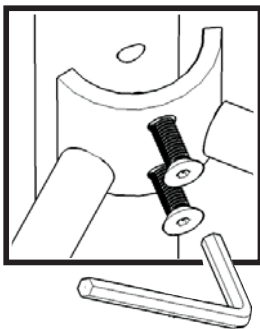
## STEP 1

Attach Leg (F) to the Shelf (C) and (D), using Head Cap Bolts (short). (see Figure 1)

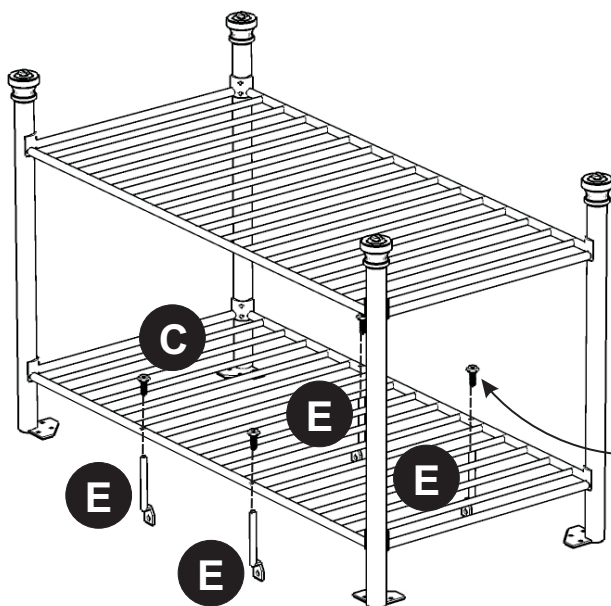
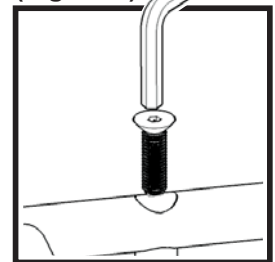
Tighten only halfway.



(Figure 1)



(Figure 2)



## STEP 2

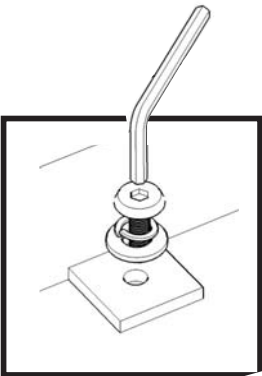
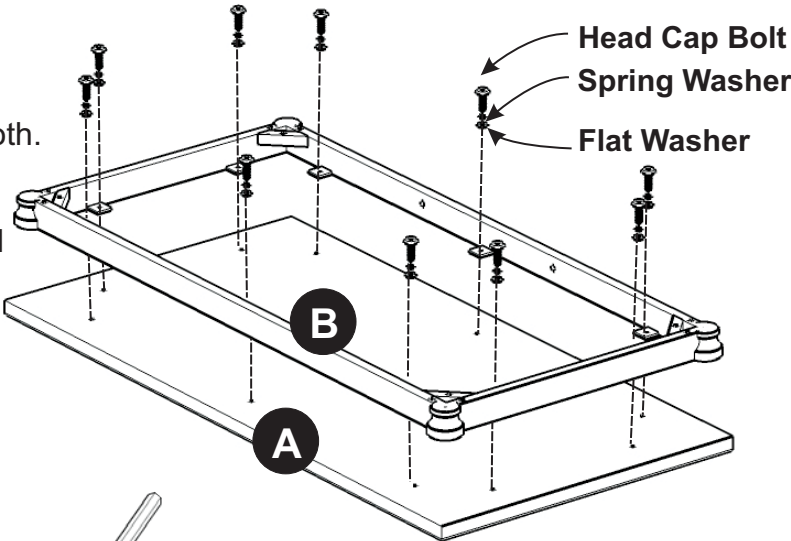
Attach Support (E) to the Shelf (C) with Head Cap Bolts (long). (see Figure 2)

Head Cap Bolt (long)

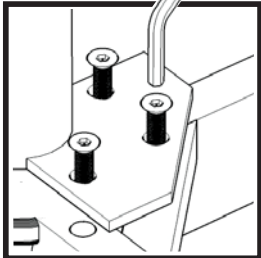
**STEP 3**

Place Top (A) upside down on a soft cloth.

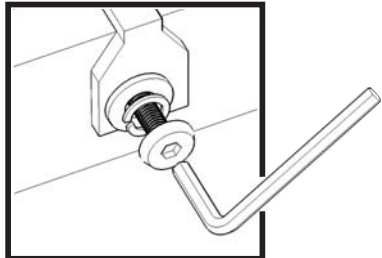
Attach the Apron Frame (B) to Top (A) with Flat Washers, Spring Washers and Head Cap Bolts. (see Figure 3)



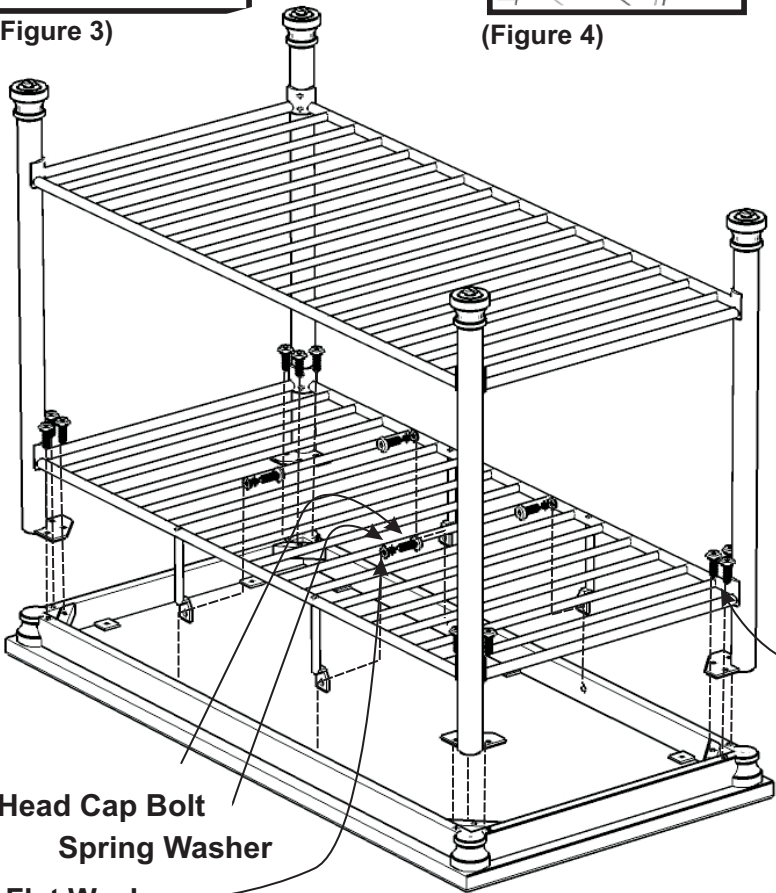
(Figure 3)



(Figure 4)



(Figure 5)



**STEP 3**

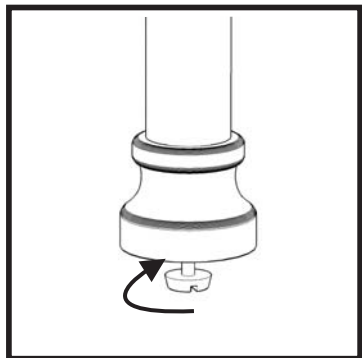
Attach the base unit on to Top unit with Head Cap Bolts (short) and Flat Washers, Spring Washers, Head Cap Bolts. (see Figure 4), (see Figure 5)

Tighten all bolts completely.

Turn the unit over to its' upright position.

To level the unit, adjust the adjustable levelers on the bottom of unit. (see Figure 6)

**Note: Unit must be level to work properly.**



(Figure 6)