



GENEVA FUTON

MODEL #1454 Black

MODEL #1662 Matte White

DATE: 5/15/98

IMPORTANT

UNLESS OTHERWISE STATED, PLEASE DO NOT TIGHTEN BOLTS (AND/OR) SCREWS UNTIL UNIT IS COMPLETELY ASSEMBLED ON A FLAT SURFACE.

Examine all packaging material for small parts that may have come loose during shipment. Periodic checks are recommended to insure that all components are in proper position, tight and free from damage. Keep this assembly instruction for future reference.

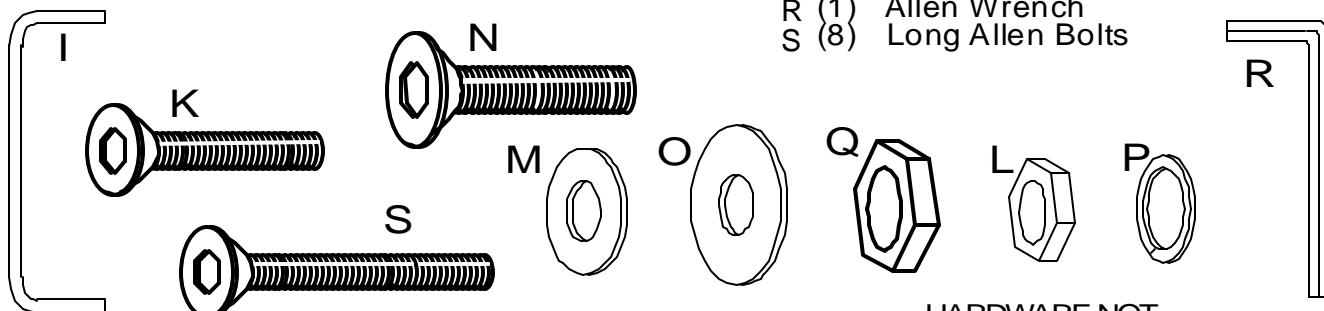
Adult assembly required.

PARTS LIST

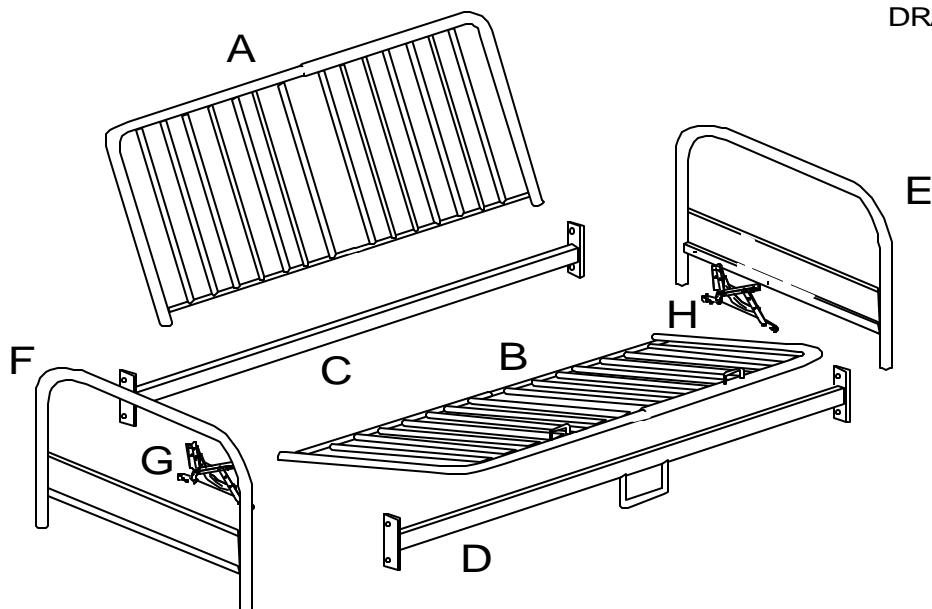
- A (1) Back Mattress Support Frame
- B (1) Bottom Mattress Support Frame
- C (1) Rear Cross Rail
- D (1) Front Cross Rail
(with center support)
- E (1) Right Side Panel
- F (1) Left Side Panel
- G (1) Left Futon Hinge
- H (1) Right Futon Hinge

HARDWARE LIST

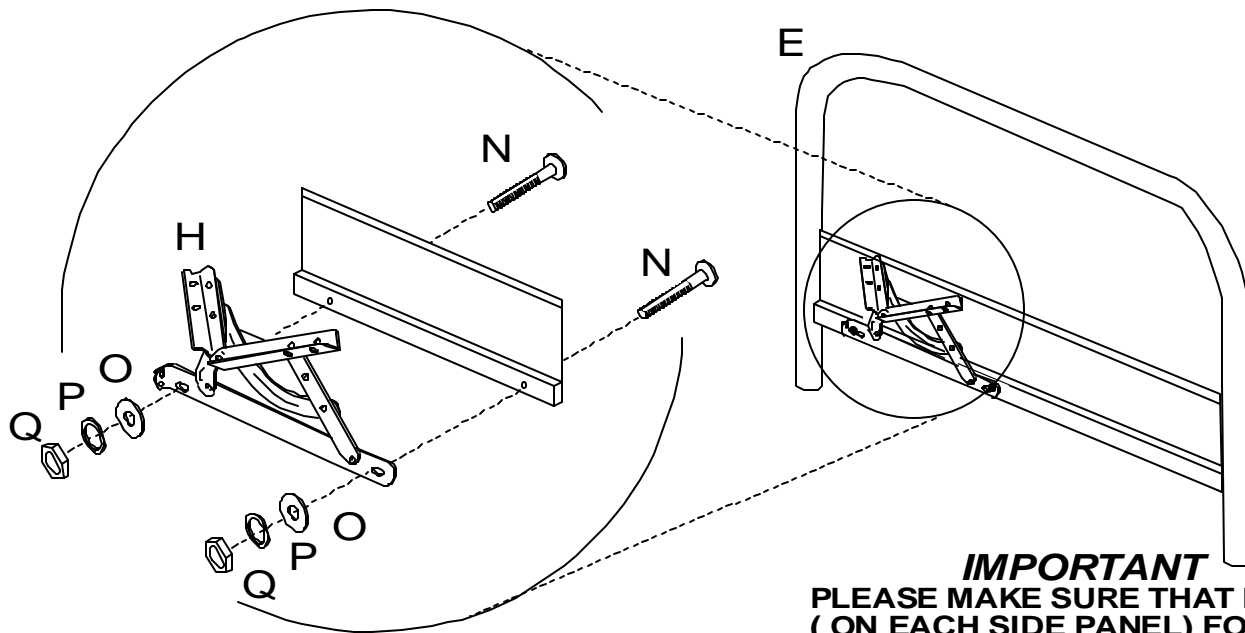
- I (2) Frame Hooks
- K (8) Short Allen Bolts
- L (8) Small Hex Nuts
- M (16) Metal Washers
- N (4) Short Allen Bolts
(Large Diameter)
- O (4) Large Metal Washers
- P (4) Lock Washers
- Q (4) Large Hex Nuts
- R (1) Allen Wrench
- S (8) Long Allen Bolts



HARDWARE NOT
DRAWN ACTUAL SIZE



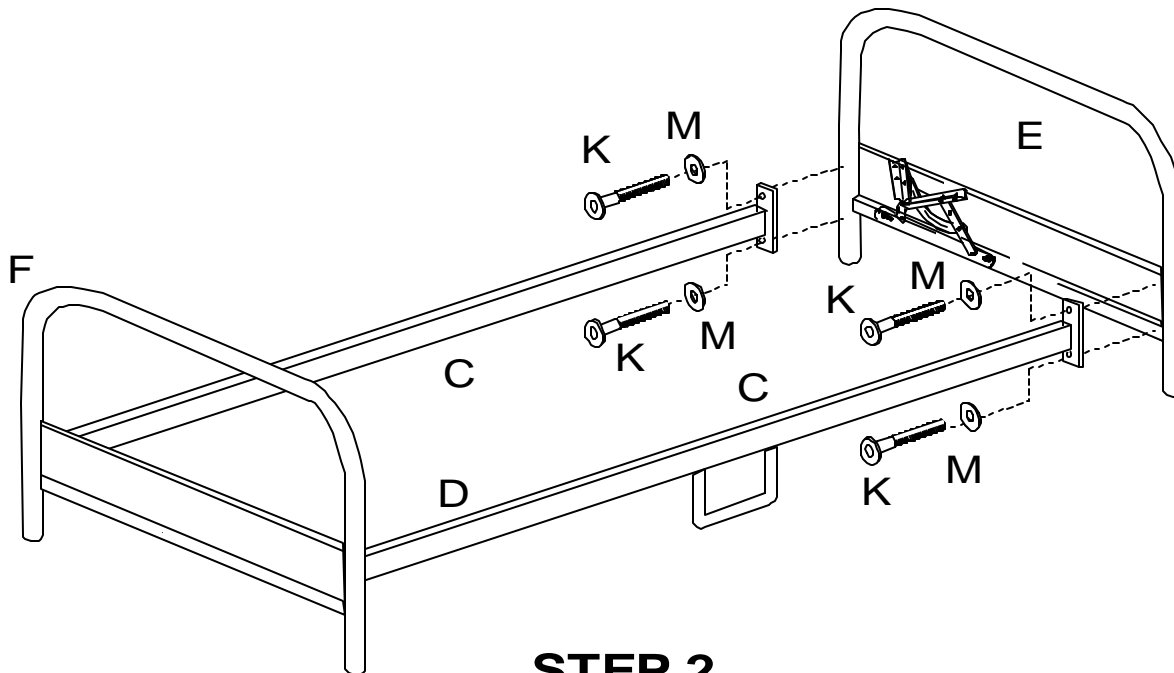
**TOOLS REQUIRED
FOR ASSEMBLY**
Allen Wrench
(Included)
Phillips Screwdriver
(Not Included)



IMPORTANT
PLEASE MAKE SURE THAT HOLES
(ON EACH SIDE PANEL) FOR
ATTACHING THE FUTON HINGES
ARE NEAREST REAR OF FUTON.

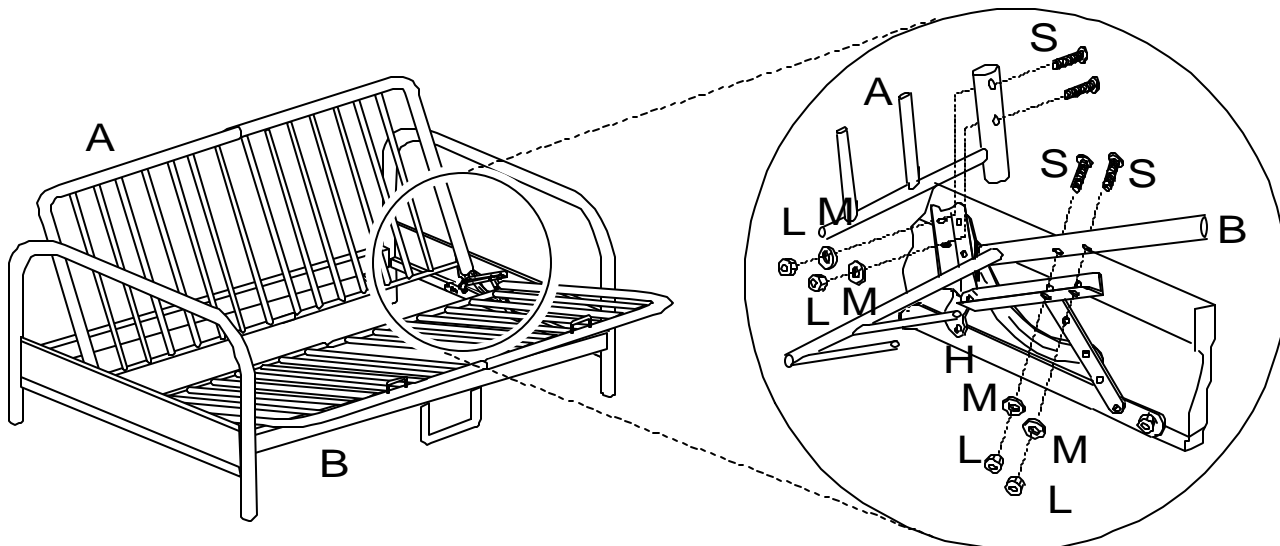
STEP 1

CAREFULLY ATTACH THE **RIGHT FUTON HINGE (H)** THE **RIGHT SIDE PANEL (E)** USING **2 SHORT ALLEN BOLTS WITH LARGE DIAMETERS (N)**, **2 LARGE METAL WASHERS (O)**, **2 LOCK WASHERS (P)** AND **2 LARGE HEX NUTS (Q)**. ONLY HAND TIGHTEN BOLTS AND NUTS AT THIS TIME. REPEAT THIS STEP FOR LEFT **SIDE PANEL (F)** AND THE **LEFT FUTON HINGE (G)**.



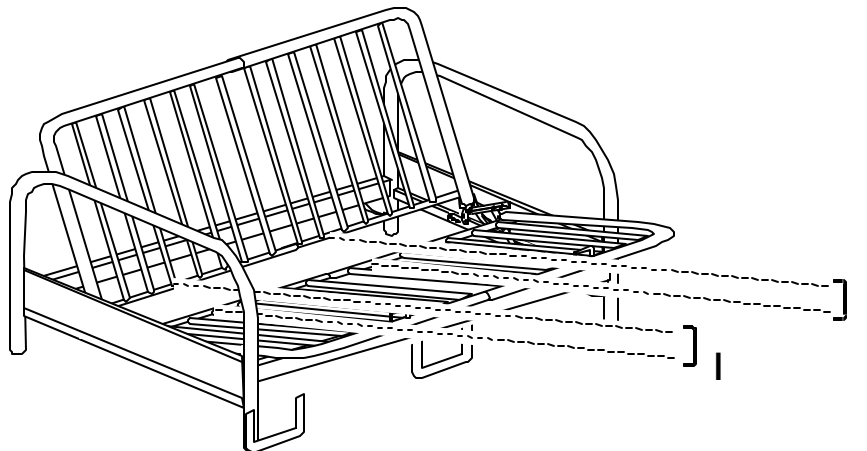
STEP 2

CAREFULLY ATTACH **REAR CROSS RAIL (C)** TO BACK POST OF THE **RIGHT SIDE PANEL (E)**, SECURE IN PLACE USING **2 SHORT ALLEN BOLTS (K)** AND **2 METAL WASHERS (M)**. NEXT ATTACH **FRONT CROSS RAIL WITH CENTER SUPPORT (D)** TO FRONT POST OF THE **RIGHT SIDE PANEL (E)**, SECURE IN PLACE USING **2 SHORT ALLEN BOLTS (K)** AND **2 METAL WASHERS (M)**. NEXT, REPEAT THIS STEP FOR THE **LEFT SIDE PANEL (F)**.



STEP 3

WITH THE HELP OF FRIEND CAREFULLY ATTACH THE **BACK AND BOTTOM MATTRESS SUPPORT FRAMES (A & B)** TO BOTH FUTON HINGES (H & G) USING **2 LONG ALLEN BOLTS (S)**, **2 METAL WASHERS (M)** AND **2 SMALL HEX NUTS (L)** FOR EACH HINGE. MAKE SURE THAT THE HANDLES ON **BOTTOM MATTRESS SUPPORT FRAME (B)** FACES UPWARD WHEN ATTACHING, AND HOLES FOR INSERTING **FRAME HOOKS (I)** INTO THE **BACK MATTRESS SUPPORT FRAME (A)** IS FACING UPWARDS.



STEP 4

CAREFULLY INSERT **2 FRAME HOOKS (I)** INTO THE HOLES ON BOTH OF THE **BACK AND BOTTOM MATTRESS SUPPORT FRAMES (A & B)**.

STEP 5

TIGHTEN ALL BOLTS AND SCREWS USED IN THE ASSEMBLY OF YOUR GENEVA FUTON. DO NOT OVER TIGHTEN. SAVE THESE INSTRUCTIONS FOR FUTURE REFERENCE.

STEP 6

WITH THE HELP OF A FRIEND CAREFULLY PLACE A STANDARD TWIN SIZE FUTON MATTRESS (MATTRESS NOT INCLUDED) ON TOP OF MATTRESS SUPPORT FRAMES.

CARE & MAINTENANCE

The touch of a soft cloth is all the maintenance the finish of your new GENEVA FUTON will ever need. Never use harsh or abrasive cleaners for polishing. Periodic checks are recommended to make sure that all bolts, screws and nuts are securely tightened.