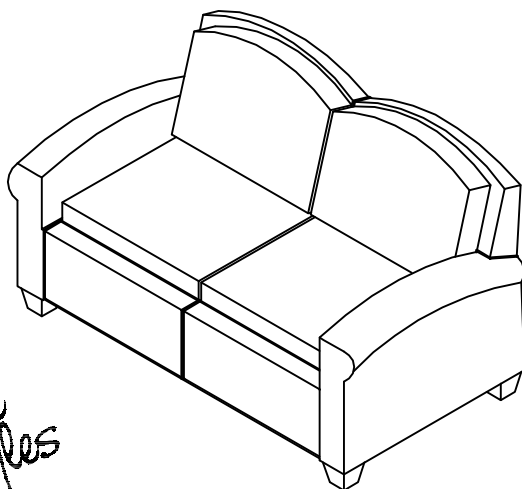


88 5403 60RSB

Cabana Banana II Seating

Right Seat and Back



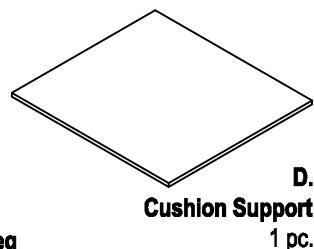
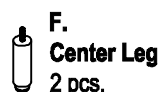
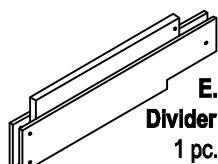
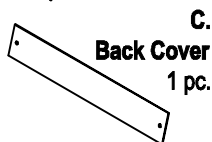
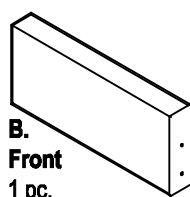
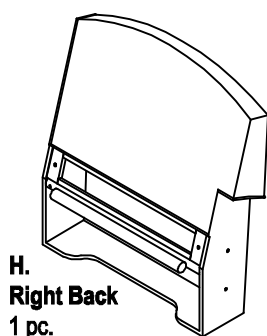
Home Styles

IMPORTANT NOTE

Carefully remove all the parts from the carton and put them individually on a soft cloth to prevent scratches or other damages occurring to the wood parts.

We have taken great care in the design of this product and request that you carefully and strictly follow our assembly instructions to ensure a completed product as it was designed.

Part List



Hardware List



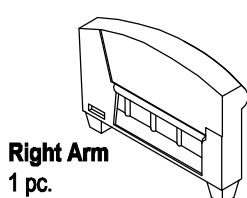
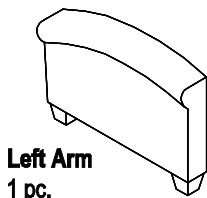
For assembly also need the following:

88 5403 ARM Arm Carton

Carton quantity: 1

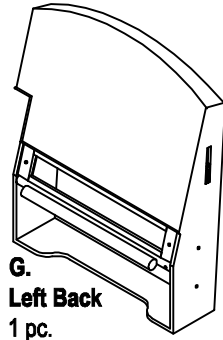
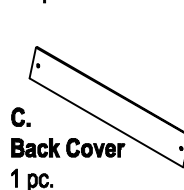
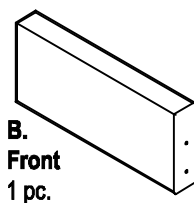
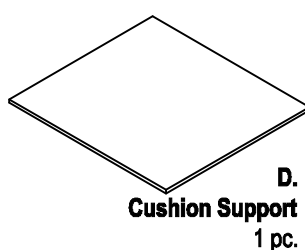
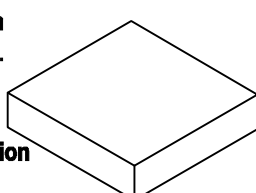
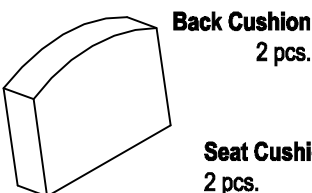
88 5403 60LSB Left Side carton

Carton quantity: 1



88 5403 CUS Cushion Carton

Carton quantity: 2



Home Styles Consumer Assistance : www.homestyles-furniture.com,
servicedesk@homestyles-furniture.com, 888-680-7460, 877-831-0319

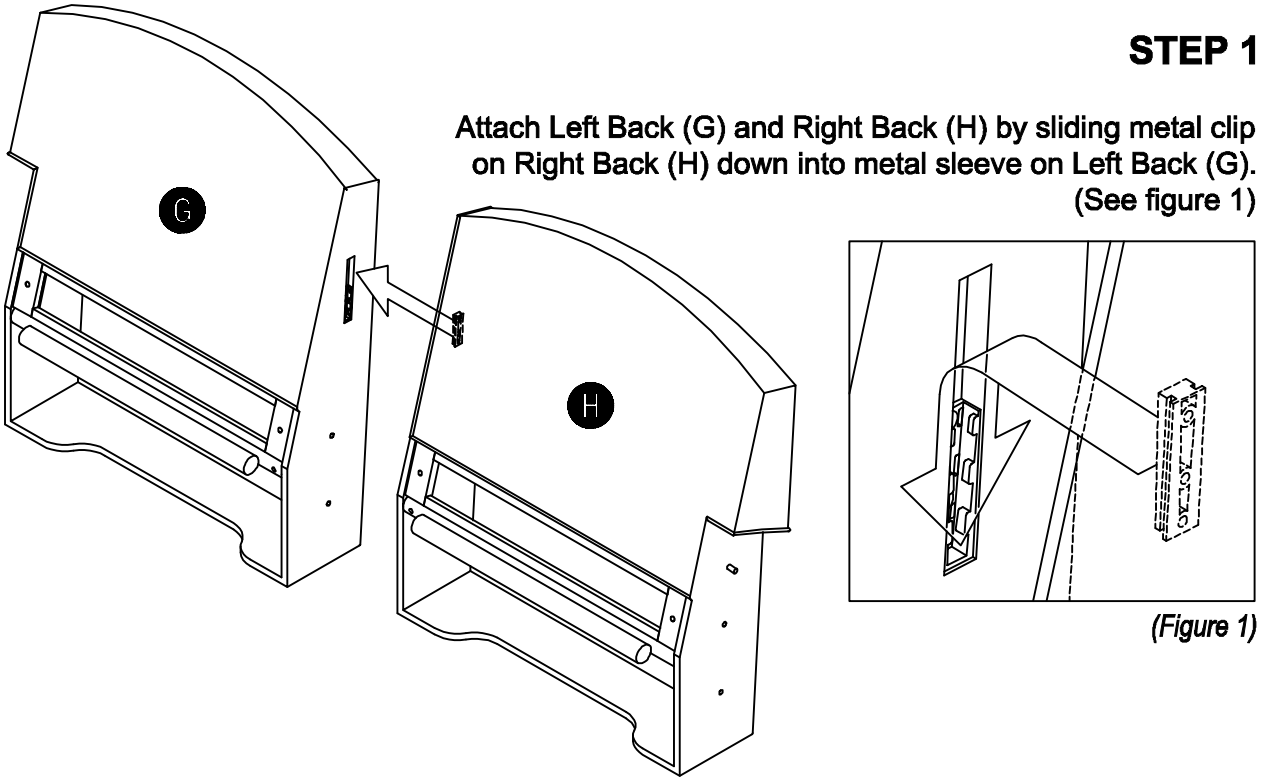
Assembly Instructions 2/6

IMPORTANT

- * Do not tighten up all the bolts until each part is properly assembled.
- * You should keep Allen Key and Wrench in a safe place as you may need to tighten up the bolts in the future.

STEP 1

Attach Left Back (G) and Right Back (H) by sliding metal clip on Right Back (H) down into metal sleeve on Left Back (G).
(See figure 1)

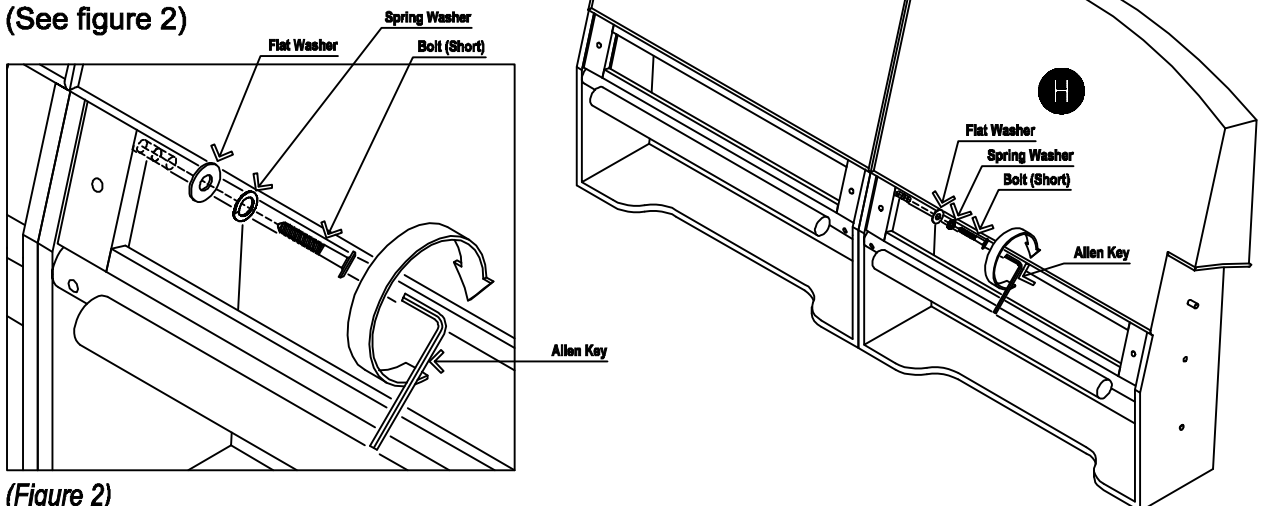


(Figure 1)

STEP 2

Attach Bolt (Short) through Spring Washer, Flat Washer and Right Back (H) to Left Back (G).

Tighten Bolt.
(See figure 2)

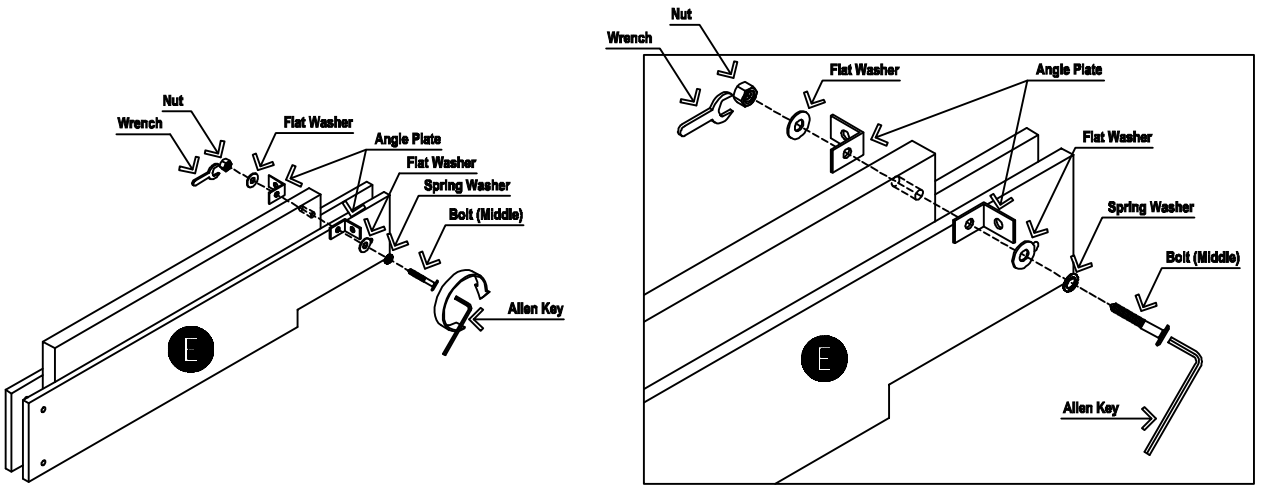


(Figure 2)

STEP 3

Attach Angle Plates to Divider (E) using Bolt (Middle), Spring Washer, Flat Washers and Nut.

Turn Bolt clockwise using Allen Key and turn Nut clockwise using Wrench.
(See figure 3)

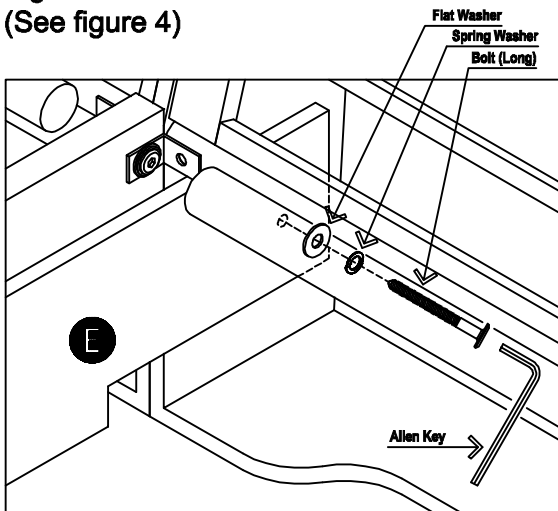


(Figure 3)

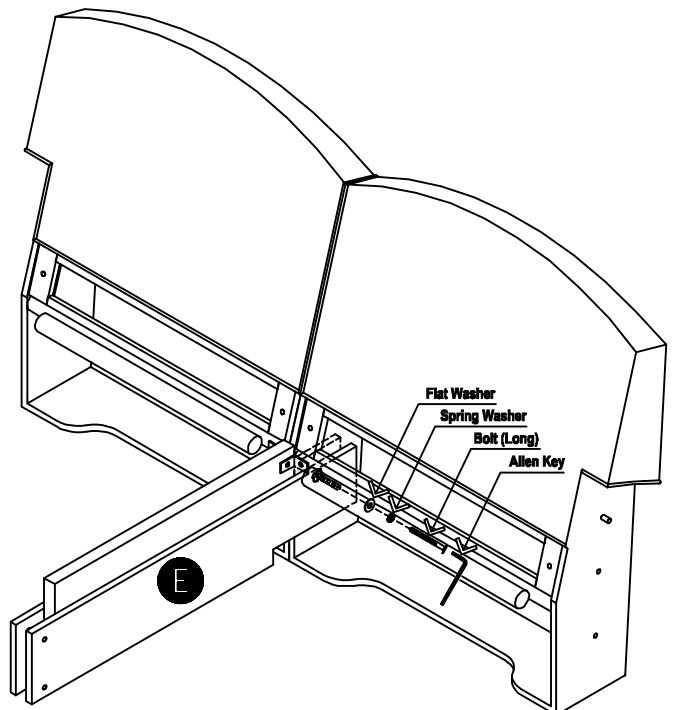
STEP 4

Attach Divider (E) to unit using Bolt (Long), Spring Washer and Flat Washer.

Tighten Bolt.
(See figure 4)



(Figure 4)



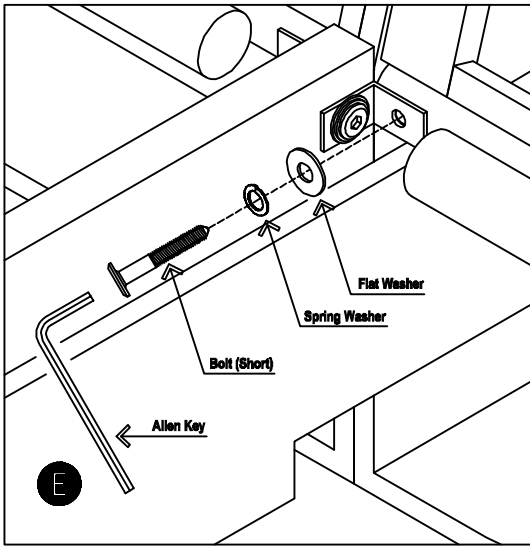
STEP 5

Attach Angle Plates to Left Back (G) and Right Back (H) using Bolts (Short), Spring Washers and Flat Washers.

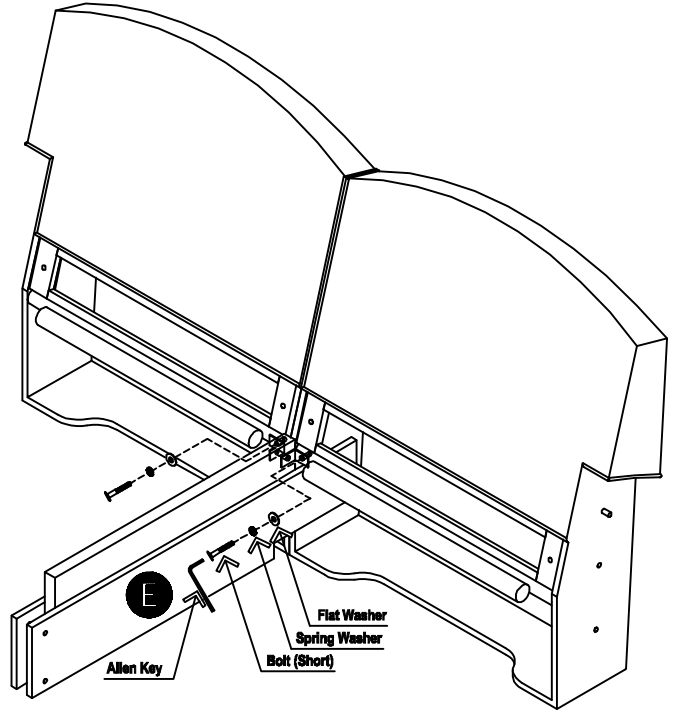
Tighten Bolts.

Important: Please make sure these two bolts are attached very tightly.

(See figure 5)



(Figure 5)

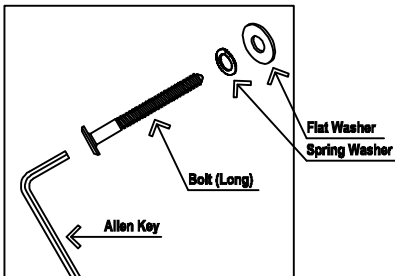


STEP 6

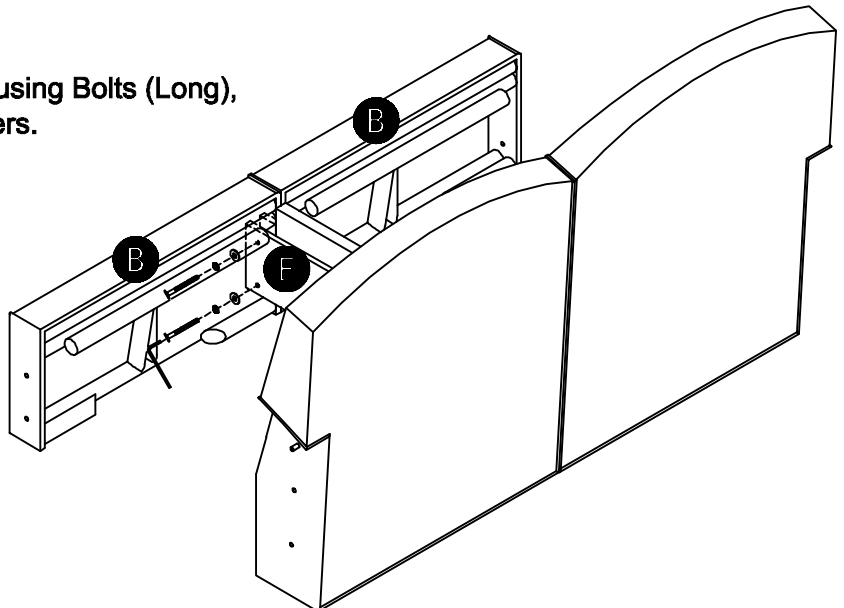
Attach Fronts (B) to Divider (E) using Bolts (Long), Spring Washers and Flat Washers.

Tighten Bolts.

(See figure 6)



(Figure 6)

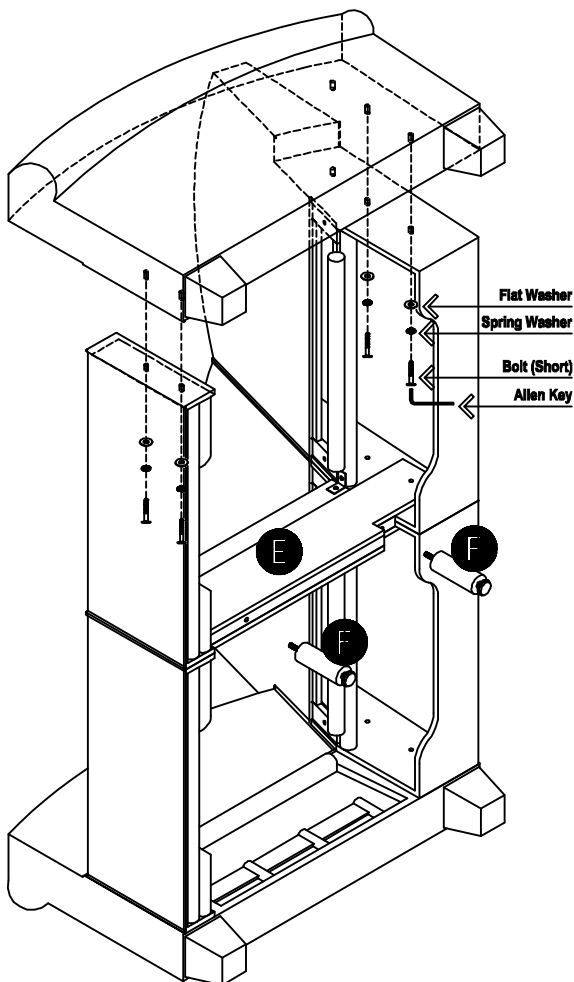
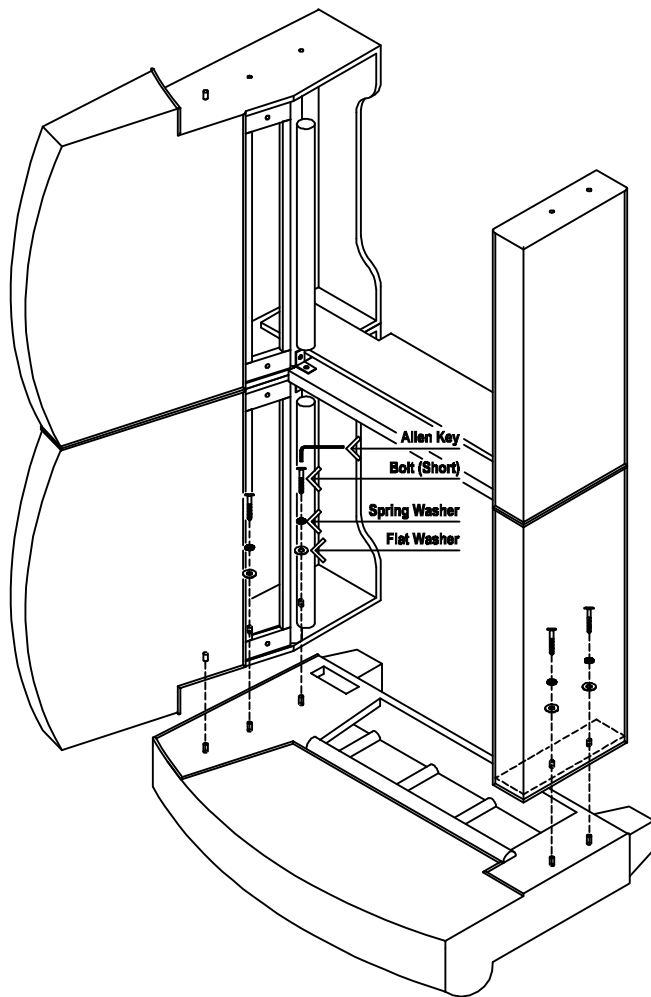
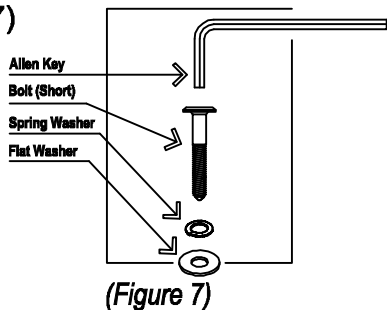


STEP 7

Place Left Arm on a soft cloth.

Attach Left Arm to unit using Bolts (Short), Spring Washers and Flat Washers.

Tighten Bolts.
(See figure 7)



STEP 8

Attach Right Arm to unit using Bolts (Short), Spring Washers and Flat Washers.

Tighten Bolts.
(See figure 7)

Attach Center Legs (F) to bottom of Divider (E) and tighten completely.

STEP 9

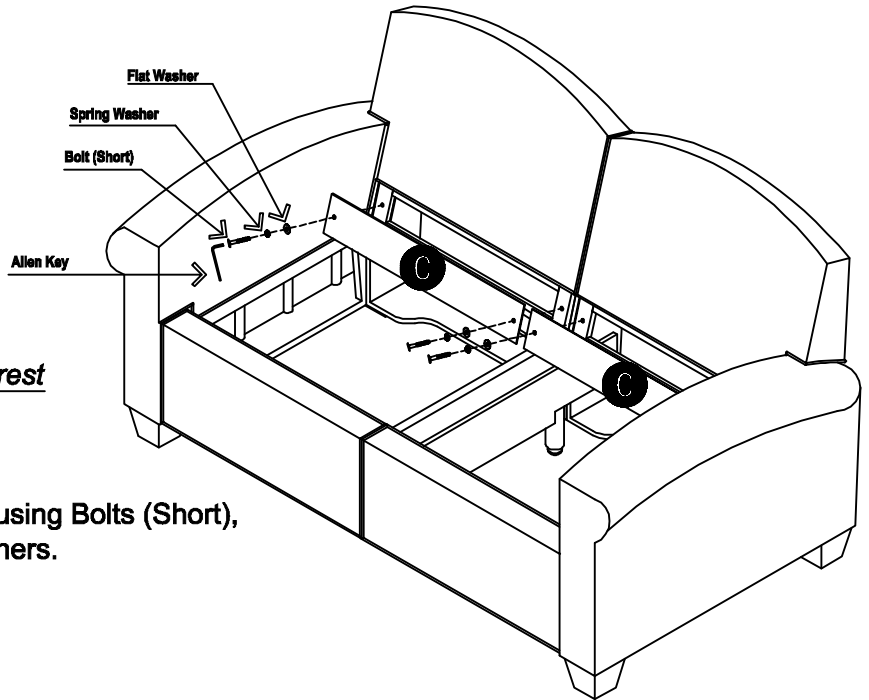
Place unit in desired location in room.

Lower the adjustable levelers on the bottom of Center Leg (F) until the leveler is on the floor.

Important: Each Leveler must rest firmly on the floor.
(See figure 8)

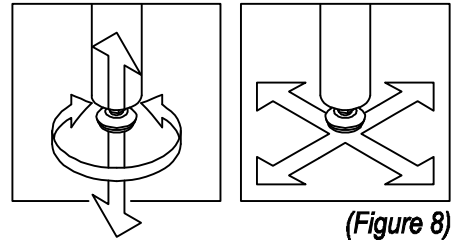
Attach Back Cover (C) to unit using Bolts (Short), Spring Washers and Flat Washers.

Tighten Bolts.

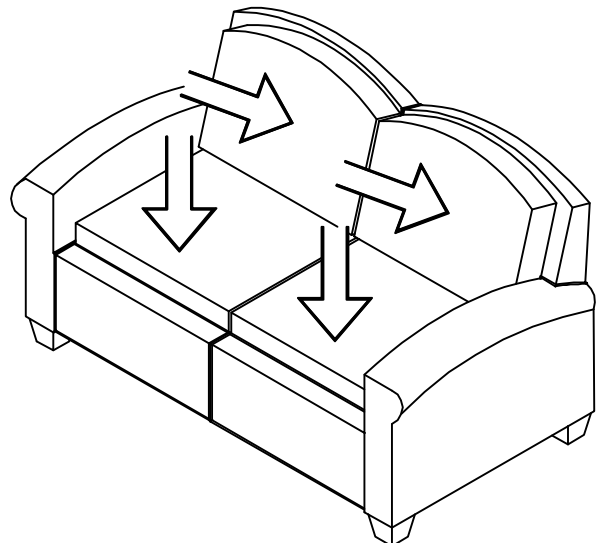
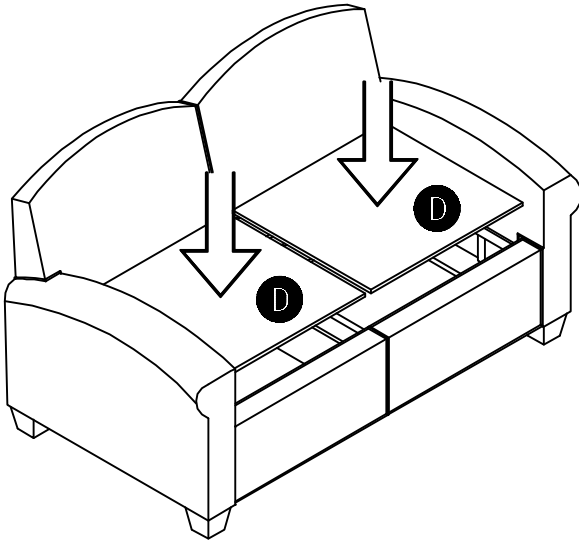


STEP 10

Place Cushion Support (D) onto unit.



(Figure 8)



STEP 11

Place Seat Cushion onto seat of unit.
Place Back Cushion onto back of unit.