

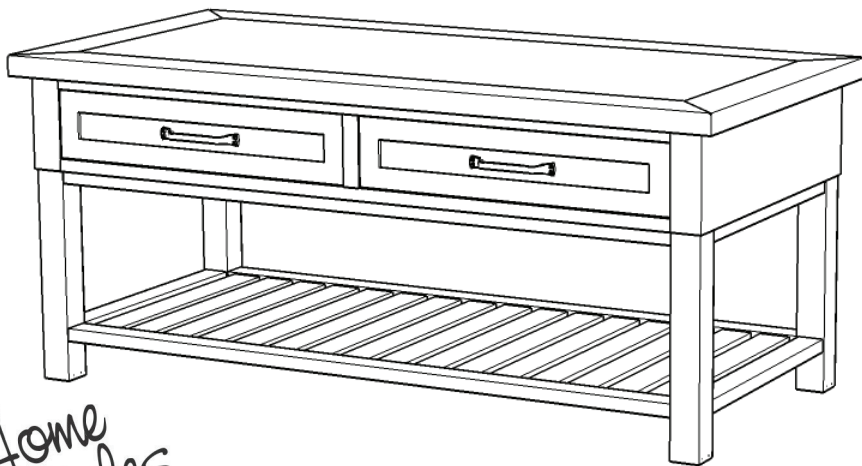
# 88 5411 21 Cabin Creek Coffee Table

## IMPORTANT NOTE

Carefully remove all the parts from the carton and put them individually on a soft cloth to prevent scratches or other damages occurring to the parts.

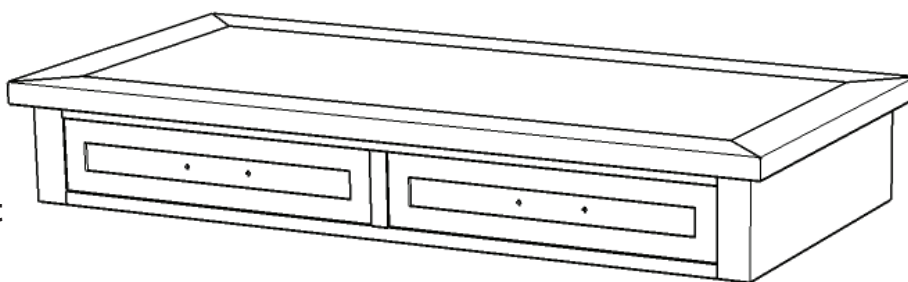
We have taken great care in the design of this product and request that you carefully and strictly follow our assembly instructions to ensure a completed product as it was designed.

*Home  
Styles*



## Part List

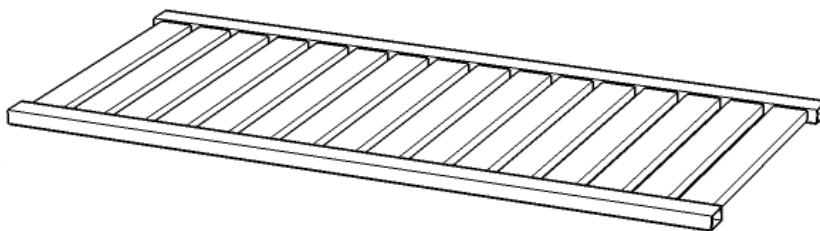
**A.  
Cabinet**  
1 pc.



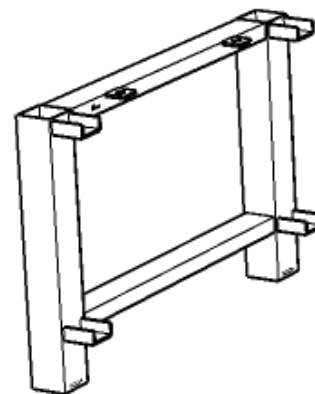
**B.  
Stretcher**  
2 pcs.



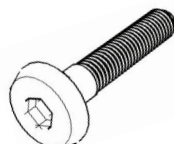
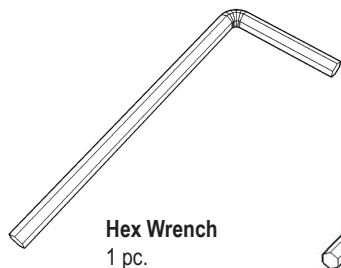
**C.  
Shelf**  
1 pc.



**C.  
Side Frame**  
2 pcs.



## Hardware List



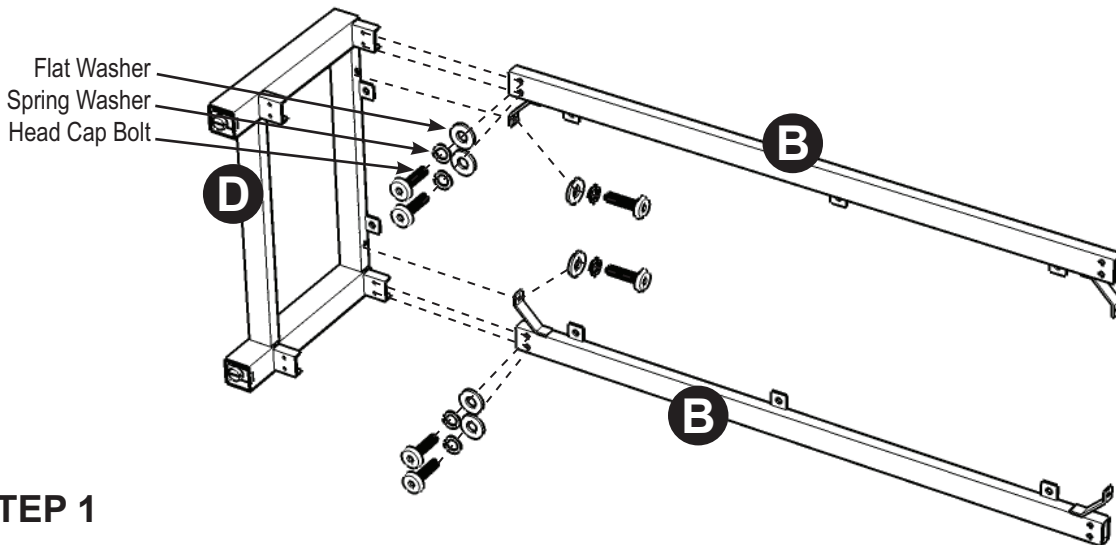
Tools required for assembly : Phillips screwdriver

Tools recommended for assembly : Level

**Home Styles Consumer Assistance:** [www.homestyles-furniture.com](http://www.homestyles-furniture.com),  
[servicedesk@homestyles-furniture.com](mailto:servicedesk@homestyles-furniture.com), 888-680-7460, 877-831-0319

## IMPORTANT

- \* Do not tighten up all the screws until each part is properly assembled.
- \* You should keep Hex Wrench in a safe place as you may need to tighten up the Head Cap Bolts in the future.
- \* Use a soft cloth between these parts and the floor.
- \* After assembly, item must be level to work properly. Use the included adjustable levelers to level.



## STEP 1

Attach Stretchers (B) to Side Frame (D) with Head Cap Bolts, Spring Washers and Flat Washers.

Tighten Head Cap Bolts only halfway. (see Figure 1)

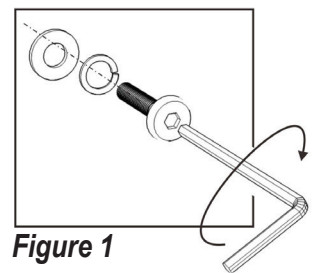
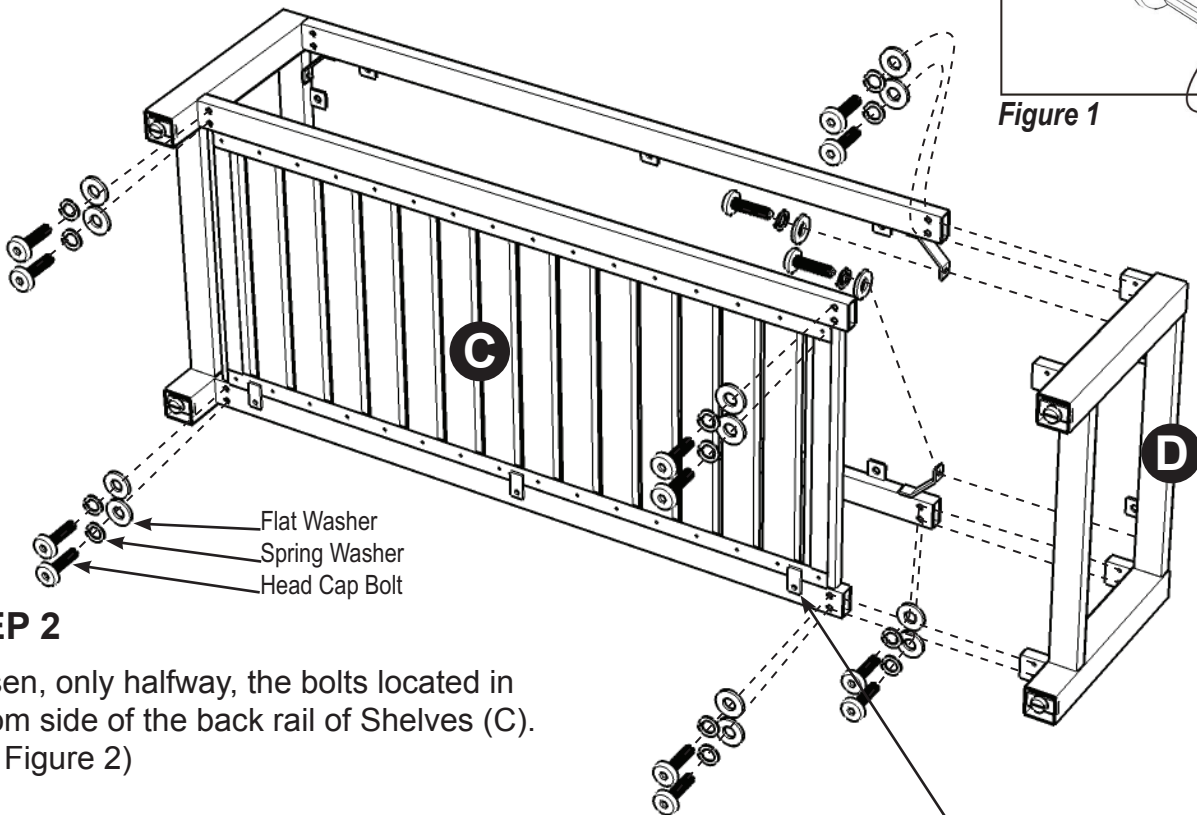


Figure 1



## STEP 2

Loosen, only halfway, the bolts located in bottom side of the back rail of Shelves (C). (see Figure 2)

Attach Shelf (C) and Side Frame (D) to unit with Head Cap Bolts, Spring Washers and Flat Washers.

Tighten all Head Cap Bolts.

Re-tighten the bolts located in bottom side of the back rail Shelves (C).

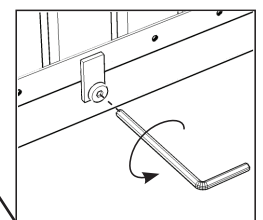
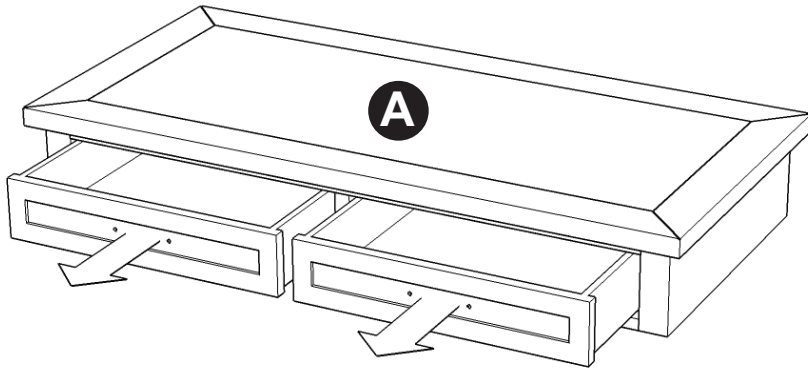


Figure 2



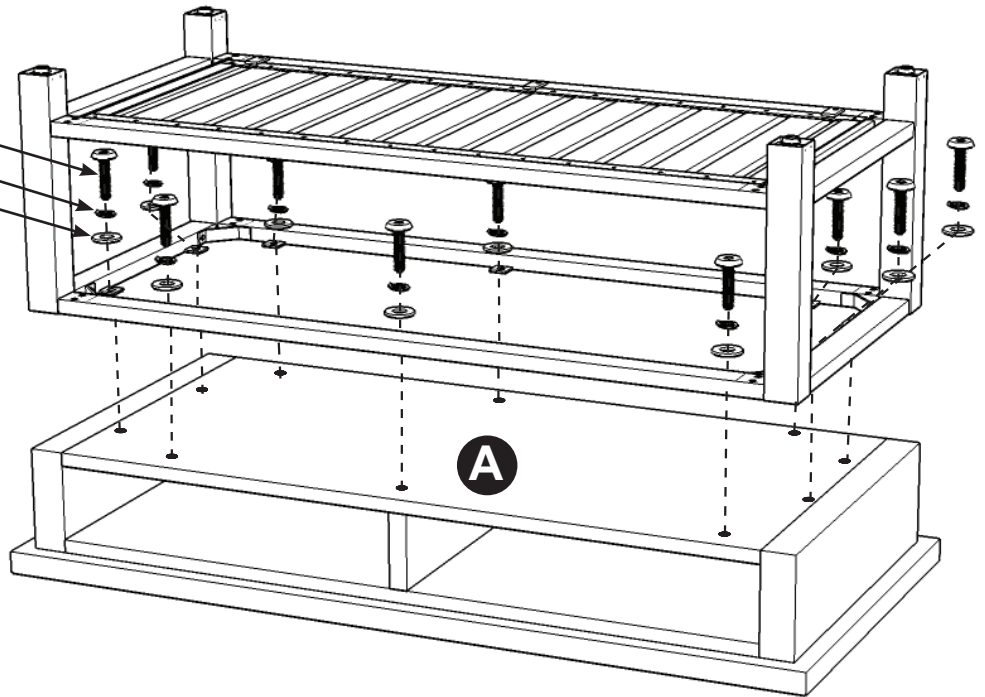
## STEP 3

Remove the drawers, then place Cabinet (A) upside down on a soft cloth.

Head Cap Bolt  
Spring Washer  
Big Flat Washer

## STEP 4

Attach unit onto Cabinet (A) with Head Cap Bolts, Spring Washers and Big Flat Washers.



## STEP 5

Remove the Pull Handles that are installed on the inside of the drawers and re-install them on the outside of the drawers. (see Figure 3)

Turn the unit over to its' upright position.

Slide the drawers into position.

To level the unit, adjust the adjustable levelers on the bottom of unit. (see Figure 4)

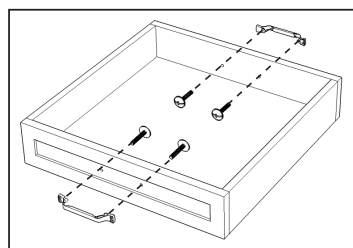
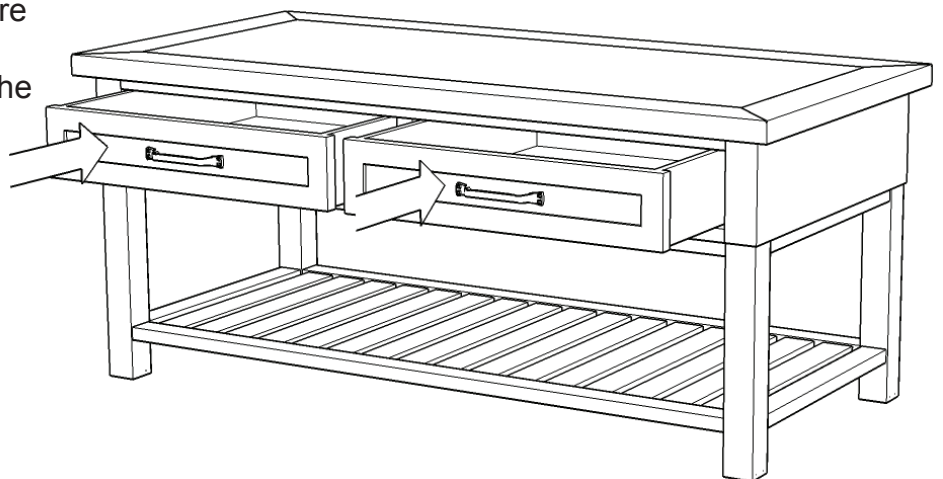


Figure 3

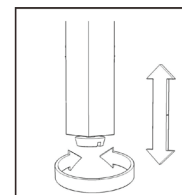


Figure 4